

# CONNECTORS

**Operation:** DIP/直立式 阻燃 DC 电源连接器 (Type-A)



**LTEM NO.:** DC-013A (Series)

(L15.0×W9.0×H11.0 DC-CONNECTORS)



表面插装 DIP

正向操作

精密部品 NICETY

可靠 STABILIZE

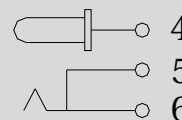
適合環保 RoHS

## Technical parameter

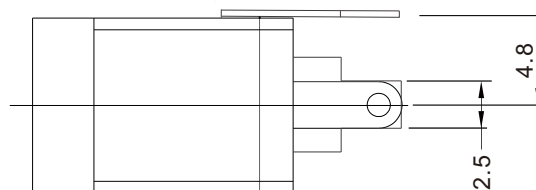
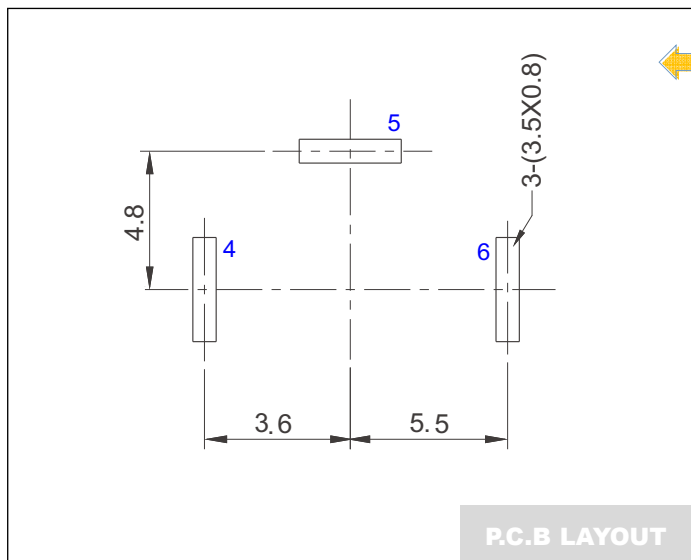
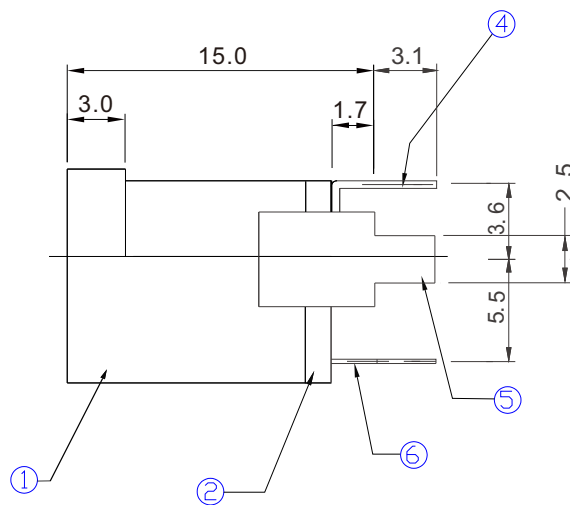
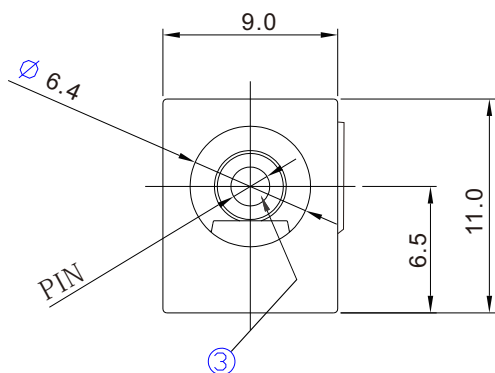
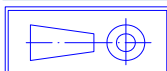
PROJECT	LEVEL	A[better product]		B[average product]	
	Contact Rating	25mA, 24V DC			
<b>Electrical</b>	Initial Contact Resistance	50mΩ max.			
<b>Properties</b>	Insulation Resistance	100MΩ min.500V DC	Skey/PD: 100MΩ min.300V DC		
	Withstand Voltage	500V AC for 1 minute	350 V AC for 1 minut		
<b>Durable Performance</b>	There No Load	6,000 Cycles	5,000 Cycles		
	Rated Load	5,000 Cycles	4,000 Cycles		
	Storage temp.	-35℃~+75℃(Operating Temp: )			
	Operating Force	IF:35N MAX. (EF:10.0N MIN.)			
	Heat Rrsistance	IR Reflow:235℃, 5sec. Manual:350℃, 3sec.			

Material declaration		
No.	NAME	Description
① A	基座	PA66 热塑性塑胶[黑色]
② B	后盖	酚醛胶板[黄色]
③ C	内芯针	锰钢[镀锡 50u" min]
④ D	连接片	黄铜 C2680/SPCC [镀锡 50u" min]
⑤ E	动态端子	磷铜 C5191 [镀银]
⑥ F	静态端子	黄铜 C2680/SPCC [镀锡 50u" min]

## CIRCUIT DIAGRAM



Unit:mm



PIN DIAM

1. 65mm

2. 00mm

2. 50mm

