

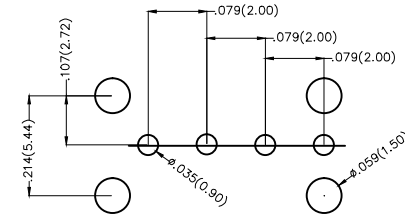
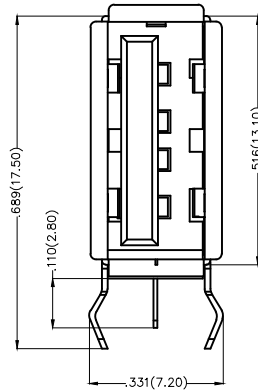
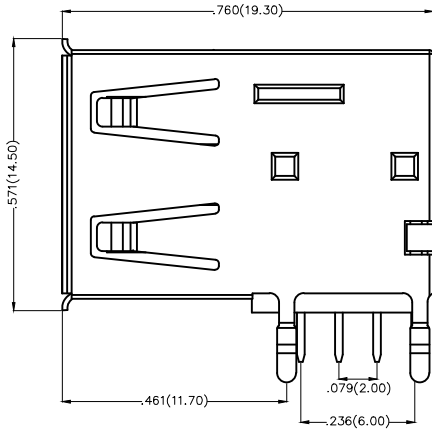
REV	LOCATIONS	DESCRIPTION	DATE	REVISER	APPD

Electrical

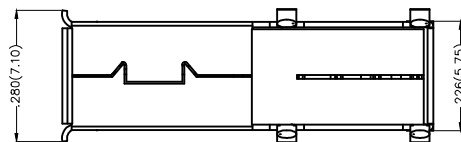
Current Rating: 1A AC(rms)/DC
Voltage Rating: 30V AC(rms)/DC
Contact Resistance: 20 mΩ Max
Insulation Resistance: 1000 MΩ MIN
Withstanding Voltage: 600V AC r.m.s
Temperature Range—Operating: -40°C~+85°C

Material and Plating

Housing: PA66(UL 94V-0)
Contact Pin: Phosphor Bronze
Plating: Selective gold in contact area, Tin on tail.



Recommended P.C.Board Layout



Ordering Informaion

FUS 2 16 — F D B XX K
1 2 3 4 5 6 7 8

1 Category FUS—USB	2 Series Number 2—USB2.0	3 Distinction No. 16	4 Type F—Female	5 Assembly Layout D—DIP
6 Entry Angle B—90° Angle	7 Color—Resin K6—Black W—1White	8 Packaging K—Tray		

 THIRD ANGLE PROJECTION	GENERAL TOLERANCES (UNLESS SPECIFIED)		APPROVE BY FRANK	DATE 17JUL/13	PART NO. FUS216—FDBXXK	ITEM NO. FUS216	 Leader Of Industry	
	DESIGN UNITS Inch (metric)	X.±.012(0.30) X.X±.008(0.20)	X.±5° .X±2°	CHECKED BY CHERRY	DATE 17/JUL/13	TITLE USB A-type 4Circuits 90°Angle Female(DIP)		REV 0 SHEET NO. 1/1
SCALE 5:1	SIZE A4	X.XX±.006(0.15) X.XXX±.004(0.10)	.XX±1° .XXX±0.5°	DRAWN BY JACOB	DATE 17/JUL/13	THIS DRAWING CONTAINS INFORMATION THAT IS PROPRIETARY TO TXGA INDUSTRIAL ELECTRONICS(S.Z)CO.,LTD AND SHOULD NOT BE USED WITHOUT WRITTEN PERMISSION		