

REV	LOCATIONS	DESCRIPTION	DATE	REVISOR	APPD

SPECIFICATIONS

Electrical

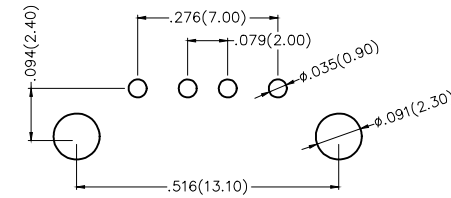
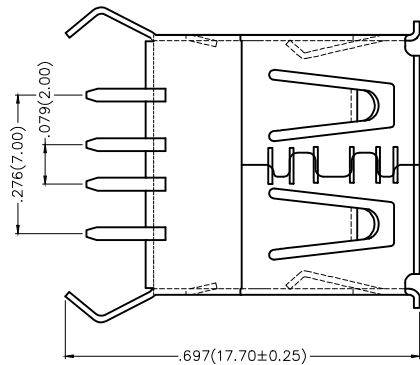
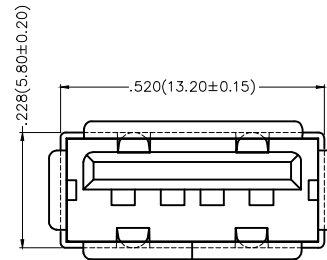
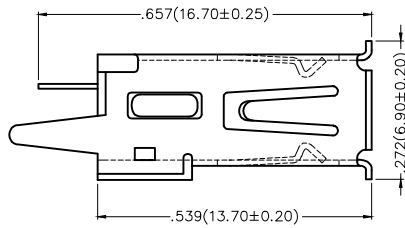
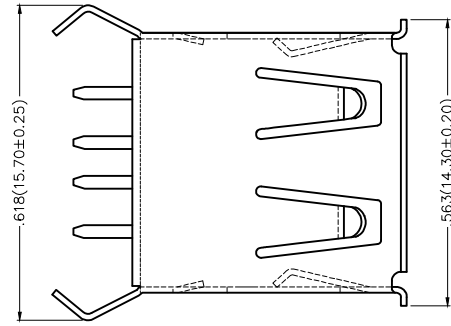
Current Rating: 1.5A AC(rms)/DC
Voltage Rating: 30V AC(rms)/DC
Contact Resistance: 30 mΩ Max
Withstanding Voltage: 500V AC r.m.s
Insulation Resistance: 1000 MΩ Min
Temperature Range-Operating: -25°C~+85°C

Material

Housing: PBT (UL 94V-0) , White
Terminal: Brass
Shell: Brass

Plating

Terminal: Gold in contact area, tin on tail
Shell: Nickel Plated



Recommended P.C.Board Layout
General Tolerances: ±0.05mm

 THIRD ANGLE PROJECTION	GENERAL TOLERANCES (UNLESS SPECIFIED)		APPROVE BY FRANK	DATE 24/APR/17	PART NO. FUS264-FDSW3K	ITEM NO. FUS264	 Leader Of Industry	
	DESIGN UNITS Inch (metric)	X.X±.012(0.30) X.X±.008(0.20)	X'±5' .X'±2'	CHECKED BY CHERRY	DATE 24/APR/17	TITLE USB A-type 4Circuits 180°Vertical Female(DIP)		REV 0
SCALE 5:1	SIZE A4	X.XX±.006(0.15) X.XXX±.004(0.10)	.XX'±1" .XX'±0.5'	DRAWN BY KATE	DATE 24/APR/17	THIS DRAWING CONTAINS INFORMATION THAT IS PROPRIETARY TO TXGA INDUSTRIAL ELECTRONICS(S.Z)CO.,LTD AND SHOULD NOT BE USED WITHOUT WRITTEN PERMISSION		