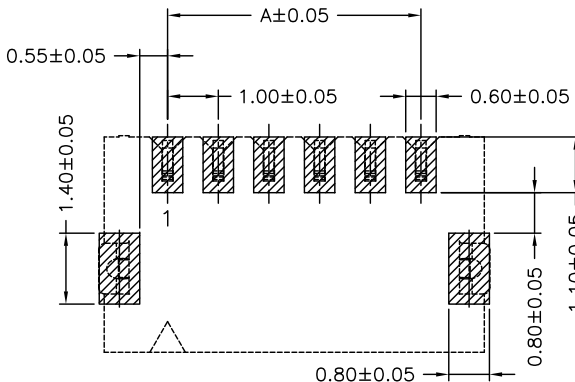


(TOP VIEW)



P.C.B. LAYOUT  
(TOP VIEW)

P/N LEGEND

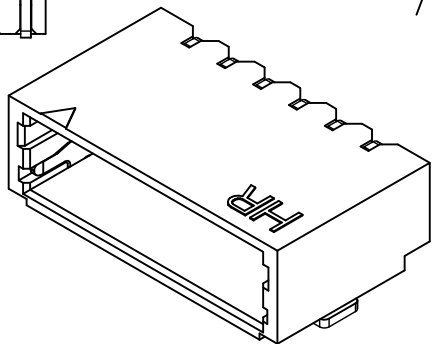
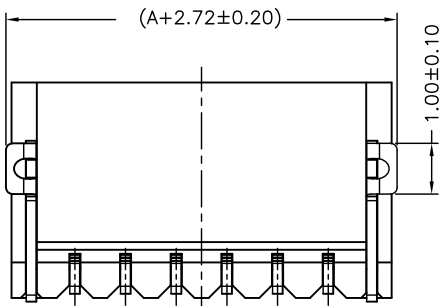
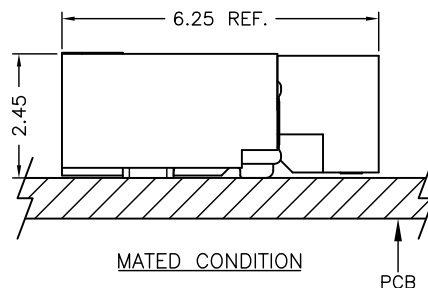
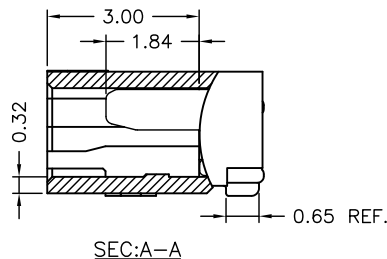
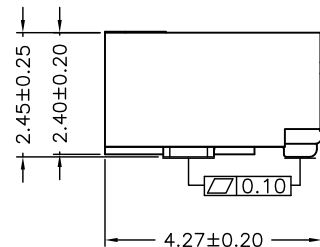
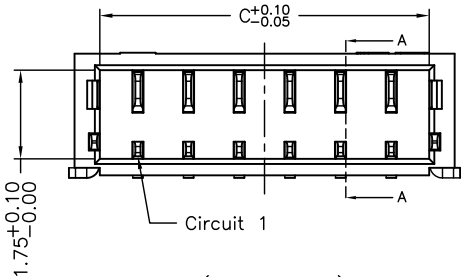
A1024	WR	S	XP	N	L	N	XX	X	00	R
①	②	③	④	⑤	⑥	⑦	⑧	⑨	⑩	⑪

① Series No.  
 ② Connector type: WR=Right angle  
 ③ Mounting type: S=SMT without boss  
 ④ No. of circuits  
 ⑤ N=Halogen Free  
 ⑥ Material: L=LCP  
 ⑦ Color: N=Natural(Beige)  
 ⑧ Plating code for contacts:  
 T1=Matte Tin-plated; G1=Gold-flash  
 ⑨ Plating code for solder tabs:  
 T=Matte Tin-plated; G=Gold-flash  
 ⑩ Option code: 00=Standard  
 ⑪ Packing code:  
 R=Tape & Reel(Without Cap or Mylar)

SPECIFICATIONS

Current Rating: 1A AC,DC  
 Voltage Rating: 50V AC,DC  
 Temperature Range: -25°C ~ +85°C  
 Contact Resistance: 20mΩ Max.  
 Insulation Resistance: 100MΩ Min.  
 Withstanding Voltage: 500V AC/minute  
 Pin Material: Phosphor Bronze  
 Solder Tabs: Brass  
 Wafer: LCP,UL94V-0  
 Color: Natural(Beige)

Circuit No.	Dimensions			Circuit No.	Dimensions		
	A	B	C		A	B	C
02P	1.00	3.50	2.50	12P	11.00	13.50	12.50
03P	2.00	4.50	3.50	13P	12.00	14.50	13.50
04P	3.00	5.50	4.50	14P	13.00	15.50	14.50
05P	4.00	6.50	5.50	15P	14.00	16.50	15.50
06P	5.00	7.50	6.50	16P	15.00	17.50	16.50
07P	6.00	8.50	7.50	17P	16.00	18.50	17.50
08P	7.00	9.50	8.50	18P	17.00	19.50	18.50
09P	8.00	10.50	9.50	19P	18.00	20.50	19.50
10P	9.00	11.50	10.50	20P	19.00	21.50	20.50
11P	10.00	12.50	11.50				



				燦達電子工業股份有限公司 JOINT TECH ELECTRONIC IND. CO., LTD.			
UNIT		SCALE		SHEET		TITLE:	
mm		1 : 1		1 of 2		1.00mm PITCH 90° WAFER-SMT TYPE,	
DRAWN BY		APPROVED BY		DRAW NO. : A1024WR-S-XPXXXXXXXXX			
陳敏		董正一					
2011.04.12		2011.04.12		REV. A1			
GENERAL TOLERANCE							
A1	EN1409050002	2014.09.24	唐騰鳳	X.X±0.25	ANGLE±		
A0	NEW RELEASE	2011.04.12	陳敏	X.XX±0.15			
REV.	DESCRIPTION	DATE	NAME	X.XXX±0.05			