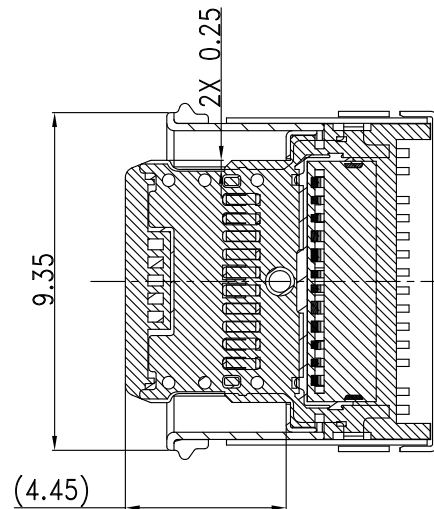
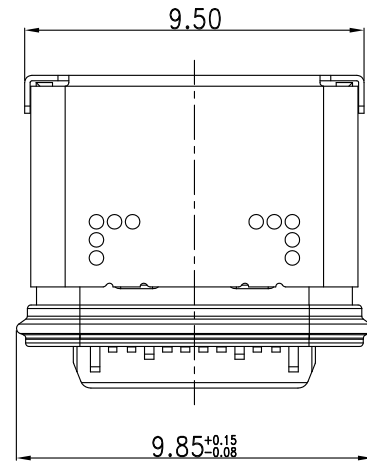


REFERENCE DRAWING

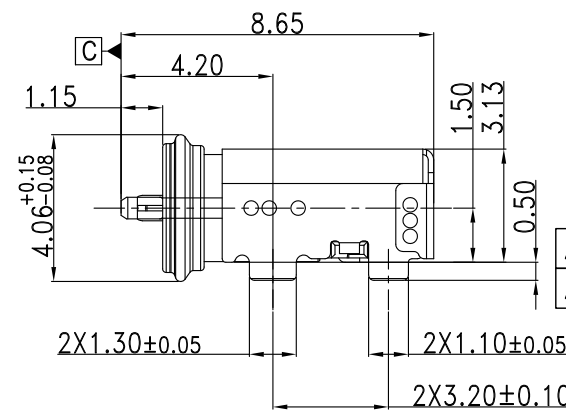
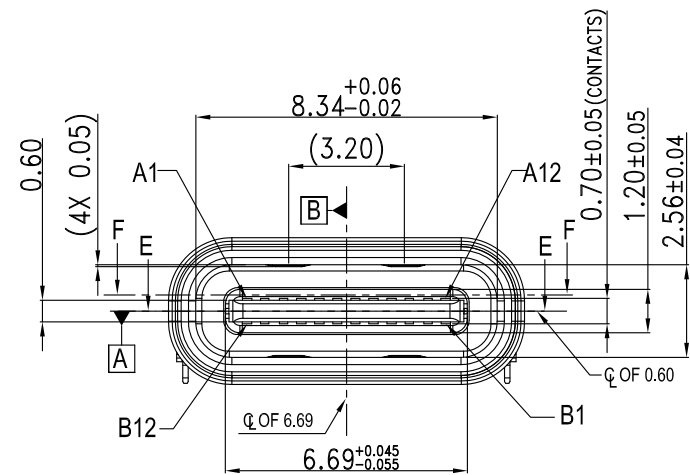
REV.	ECN.NO.	MODIFY.CONTENT	DATE
X4	1803XXXX	UPDATE WATERPROOF LEVEL	2018.03.27
X5	1804XXXX	Increase the solder joint	2018.04.10
X6	1805XXXX	UPDATE	2018.05.30



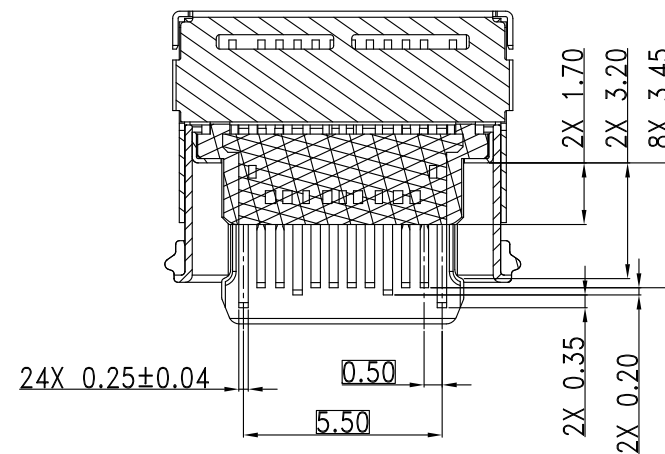
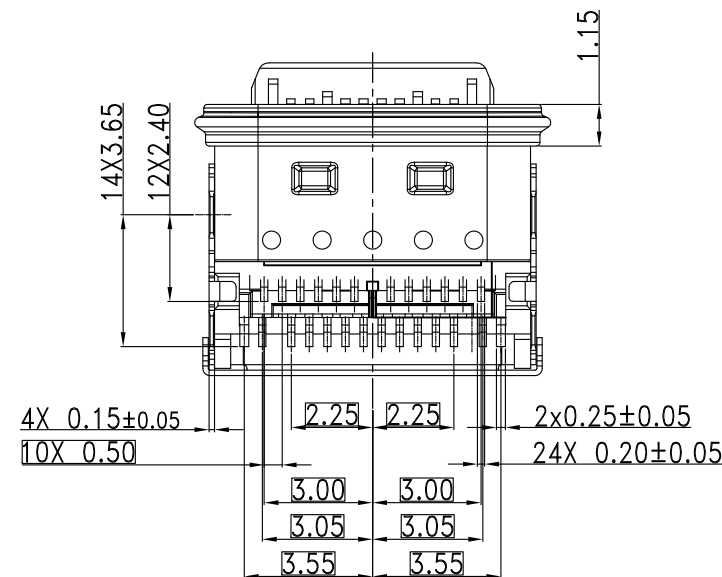
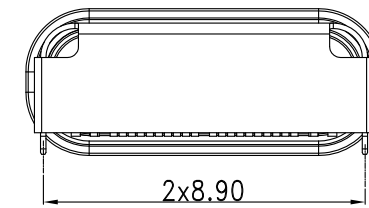
SECTION E-E
SCALE (1:1)



Pin No	Signal Name	Mating Sequence	Pin No	Signal Name	Mating Sequence
A1	GND	First	B12	GND	First
A2	TX1+	Second	B11	RX1+	Second
A3	TX1-	Second	B10	RX1-	Second
A4	Vbus	First	B9	Vbus	First
A5	CC1	Second	B8	SBU2	Second
A6	D+	Second	B7	D-	Second
A7	D-	Second	B6	D+	Second
A8	SBU1	Second	B5	CC2	Second
A9	Vbus	First	B4	Vbus	First
A10	RX2-	Second	B3	TX2-	Second
A11	RX2+	Second	B2	TX2+	Second
A12	GND	First	B1	GND	First
SHELL	GND		SHELL	GND	



SECTION F-F
SCALE (1:1)



0.10 24x SMT TAILS (BEFORE IR)
0.12 24x SMT TAILS (AFTER IR)

NOTES:

- MATERIAL :SEE TABLE "A"
- WATERPROOF : IPX7
- ELECTRICAL CHARACTERISTICS
 LOW LEVEL CONTACT RESISTANCE: 40 MΩ Max
 INSULATION RESISTANCE:100MΩ MIN
 DIELECTRIC WITHSTANDING VOLTAGE:100 VAC:
 CONTACT CURRENT RATING:5A Max
- MECHANICAL CHARACTERISTICS
 INSERTION FORCE: 5~20N
 EXTRACTION FORCE: 8~20N
 AFTER DURABILITY EXTRACTION FORCE: 6~20N
- DURABILITY: 10000 CYCLES
- PACKAGING TYPE: CARRIER TAPE.
- MATERIAL SHOULD BE FULFILLED AMPHENOL SPEC# SSN002 AND CUSTOMER REQUIREMENTS, FOR HALOGEN FREE PRODUCTS, ALSO NEED TO MEET SSN004

GENERAL	TOLERANCE	FILE.NO.	C12401861	PART.NO.	124018612112A	DRAWN	Veigar.Yang	MATERIAL	SCALE	1:1	
X.±0.50	x. °± 5°	REV.	X6	TITLE	USB TYPE C CONNECTOR	CHECKED	Weison.Lu	DATE	2018.05.30	UNIT	MM
.X±0.38	.x °± 2°	SIZE		SHEET	1 OF 2	APPROVED	Tom.Tang	Amphenol Shouhmin Industry			
.XX±0.20	.xx ± 1°	A4									

