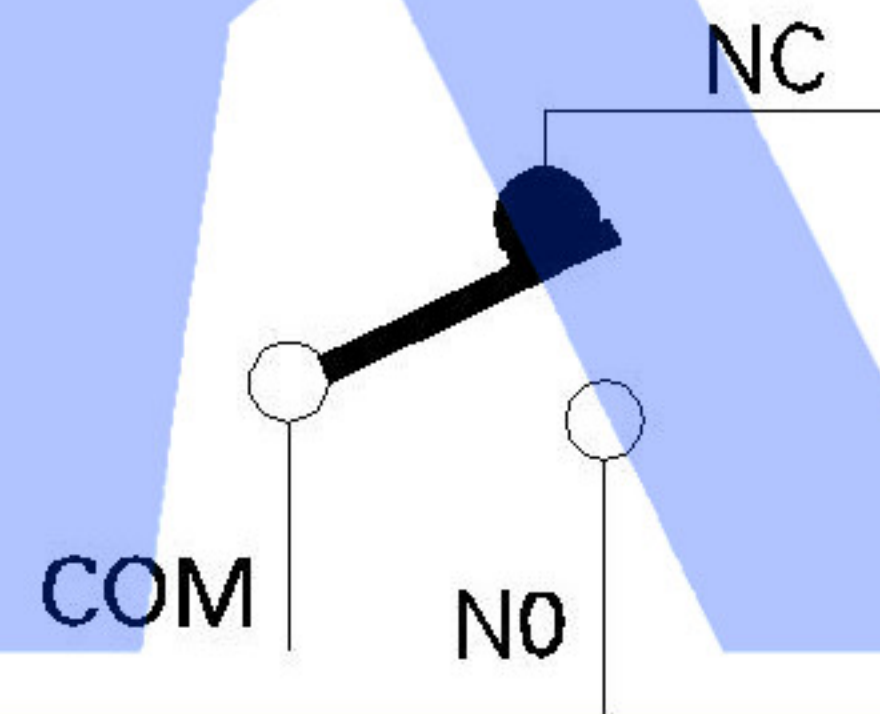
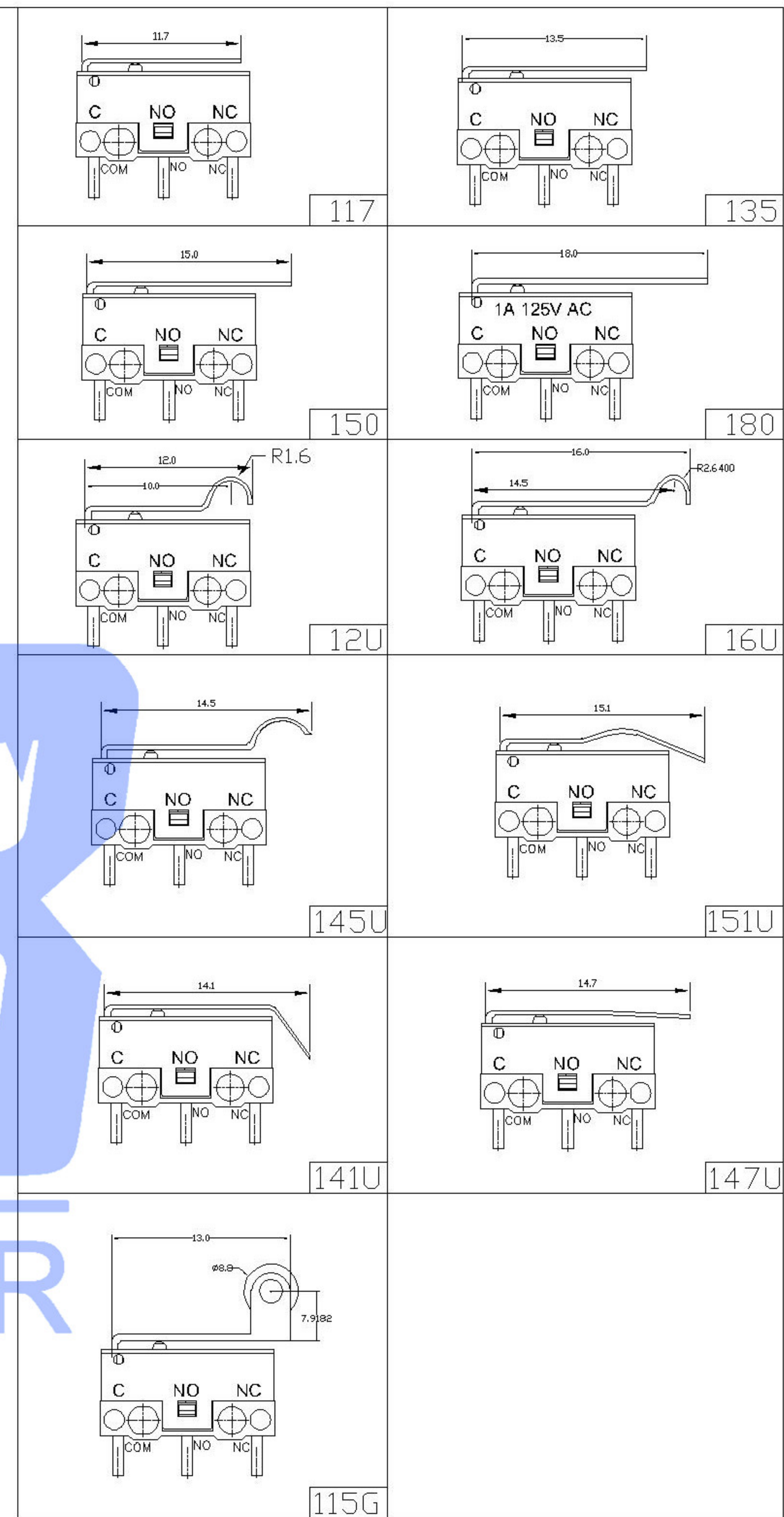


7	LEVER	SUS	1	NATURE
6	CONTACT POINT	SILVER	1	NATURE
5	SPRING PLATE	BeCu	1	NATURE
4	TERMINAL	BRASS STRIP	3	Ag PLATED
3	BASE	PBT	1	WHITE
2	COVER	PBT	1	BLACK
1	BUTTON	PBT	1	WHITE
NO.	PART NAME	MATERIAL	QTY.	FINISHING

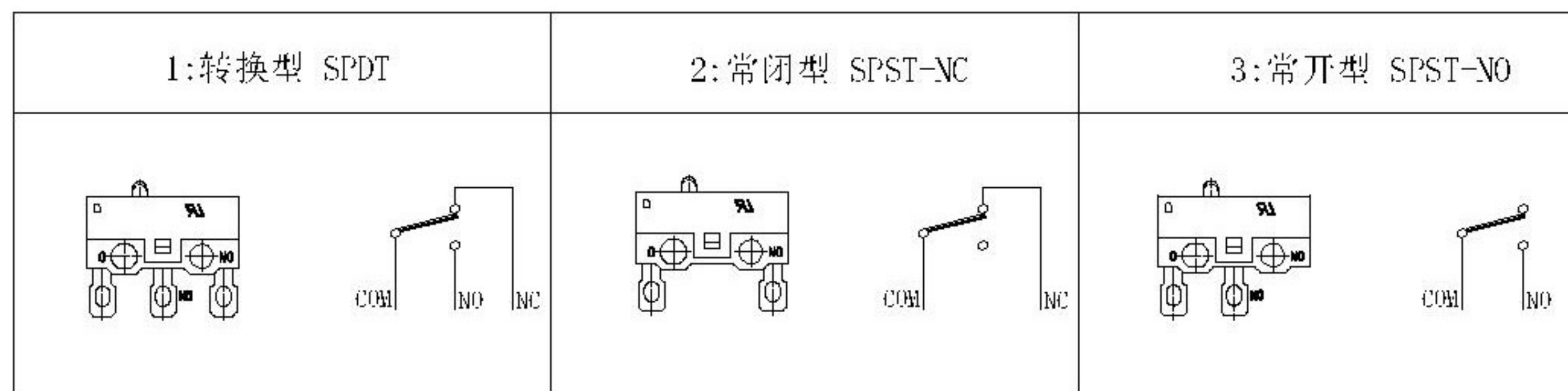


SCHMATIC



DMX-XXXN-X

1: 1A以下  
3: 3A



MARK	DESCRIPTION	DATE	REVISED	APPROVED
△X				
△X				
△X				

ANGLAR	±5°
L ≤ 4	±0.2
4 < L ≤ 16	±0.3
16 < L ≤ 63	±0.4
L > 63	±0.5
UNSPECIFIED TOLERANCES	

DSND	DATE	SCALE: N/A	MODEL TYPE: MICRO SWITCH
DWN	DATE	VIEW:	PART NO.:
CHKD	DATE	UNIT: mm	DWG NO.:
APPD	DATE	SIZE: A4	DMX-XXXN-X
XKB INDUSTRIAL PRECISION CO., LIMITED			WEIGHT 1.0g
			SHEET 1/1
			REVISION A0