

PITCH 1.25mm BAR CONNECTORS

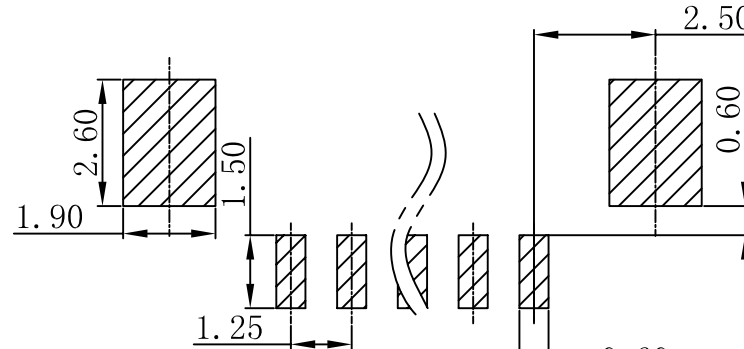
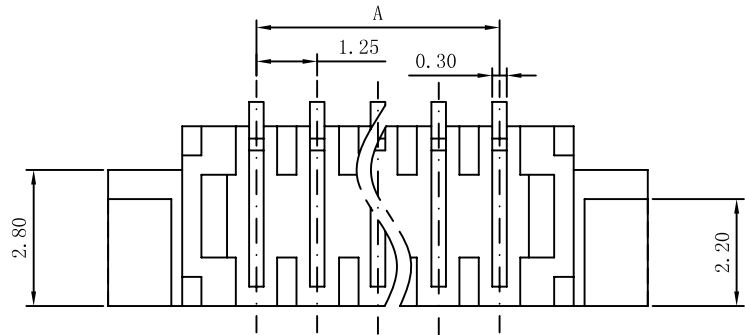
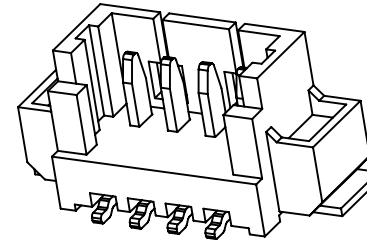
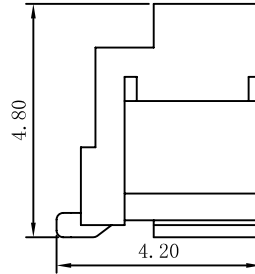
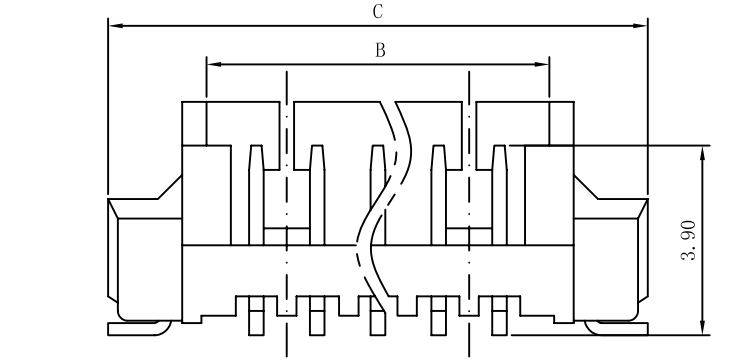
性能:

- 额定电流: 1A
- 额定电压: 100V
- 耐电压: 500V
- 接触电阻: $\leq 20m\Omega$
- 绝缘电阻: $500M\Omega$
- 工作温度: $-20^{\circ}C \sim +85^{\circ}C$

塑件(材质): LCP, UL94V-0

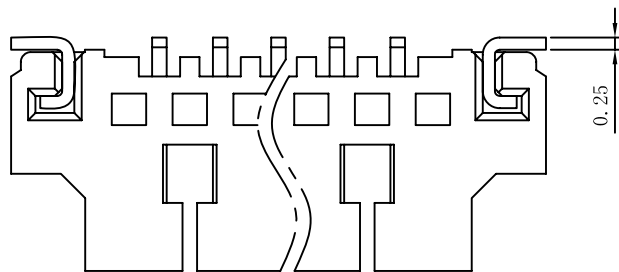
插簧(材质): 磷青铜, 镀锡/镀金

焊片(材质): 磷青铜, 镀锡/镀金



线路板
P. C. B Layout

孔位	A	B	C
2	1.25	3.10	7.35
3	2.50	4.35	8.60
4	3.75	5.60	9.85
5	5.00	6.85	11.10
6	6.25	8.10	12.35
7	7.50	9.35	13.60
8	8.75	10.60	14.85
9	10.00	11.85	16.10
10	11.25	13.10	17.35
11	12.50	14.35	18.60
12	13.75	15.60	19.85
13	15.00	16.85	21.10
14	16.25	18.10	22.35
15	17.50	19.35	23.60
16	18.75	20.60	24.85
17	20.00	21.85	26.10
18	21.25	23.10	27.35
19	22.50	24.35	28.60
20	23.75	25.60	29.85



X. ± 0.3	X° $\pm 5^{\circ}$	UNITS mm	NAME (INTENDED USE)	深圳市钜硕电子有限公司		
.X ± 0.25	.X° $\pm 2^{\circ}$	MAT'L	1.25mm (C型)条形连接器立贴式			
.XX ± 0.20	.XX° $\pm 1^{\circ}$	FINISH	PART NO. (INTENDED USE)	TITLE:		
.XXX ± 0.10	.XXX° $\pm 0.5^{\circ}$		AFC12-S**CCA-00	1.25mm (C型)条形连接器立贴式		
THESE DRAWINGS AND SPECIFICATIONS ARE THE PROPERTY OF DE RUI ELECTRON FACTORY AND SHALL NOT BE REPRODUCED, COPIED OR USED IN ANY MANNER WITHOUT THE PRIOR WRITTEN CONSENT OF DE RUI ELECTRON FACTORY			APPD:	DWG NO.:		
			CHKD:	125N05-CUB0000000		
			DR: YLZ 2011.09.28	SCALE	SHEET	REV.
				1/1	1/1	A