

承 认 书

SPECIFICATION FOR APPROVAL

客户 (CUSTOMER): _____

产品名称 (PRODUCT NAME): 电磁式蜂鸣器 (外部驱动)

型号 (TYPE): YS-MBZ12085C05R42

客户料号 (CUSTOMER NO) _____

日期 (DATE): 2019-07-20

客户确认: (签章)
日期:

东 莞 市 锋 鸣 电 子 有 限 公 司

电话: 0769-88036425

传真: 0769-85474556

制单: 李琳

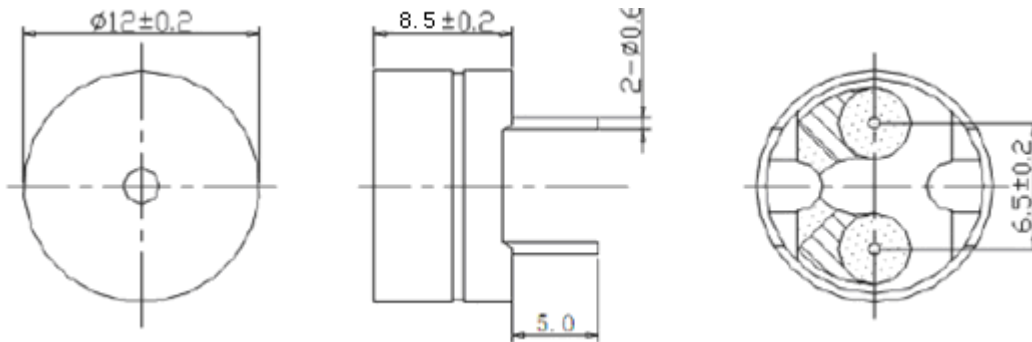
业务: 宋浩亮

工程: 黄鑫

FENGMINGTECHOFDONGGUAN CO.,LTD

YS-MBZ12085C05R42

DIMENSIONS Unit:mm Tolerance: ± 0.5



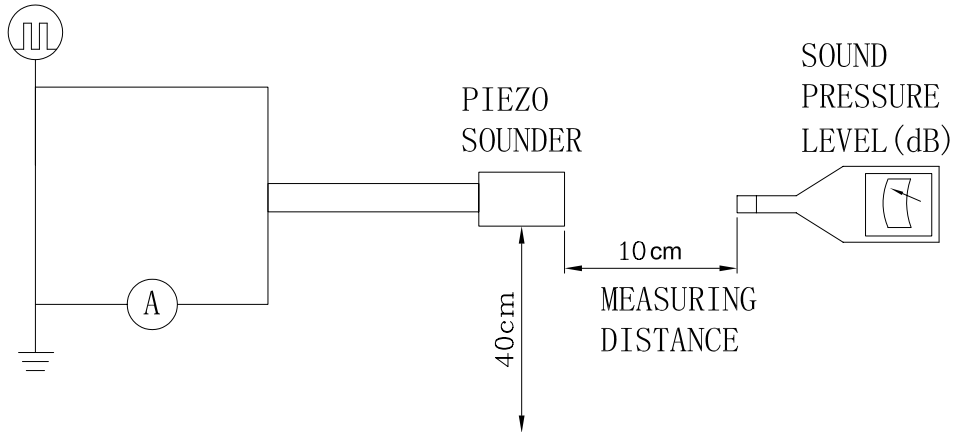
SPECIFICATIONS

Model NO	YS-MBZ12085C05R42
Rated Voltage	5V
Operating Voltage	3.0~7.0V
Rated Current	Max. 80mA
Coil Resistance	$42 \pm 4 \Omega$
sound Pressure level(dB/2048Hz/at 10cm)	Min.85dB
Resonant Frequency	2048Hz
Operating Temperature	-20 °C~+60 °C
Storage Temperature	-30 °C~+70 °C

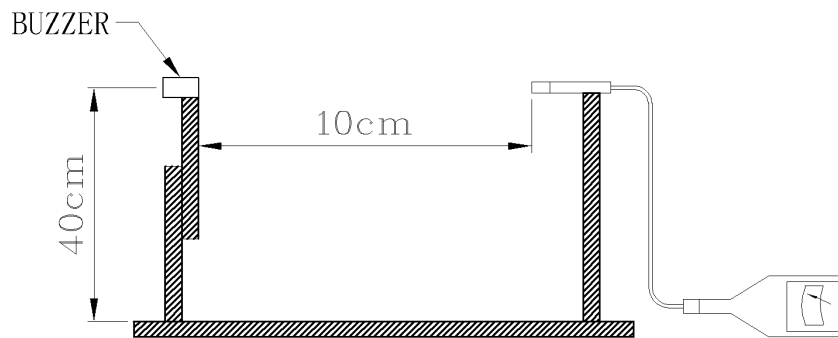
备注：本产品只适用于手工焊接，不能过波峰焊。

Acoustic Characteristics:

The oscillation frequency, current consumption and sound pressure are measured by the measuring instruments shown below



In the measuring test, buzzer is placed as follows:



Typical Frequency Response Curve

