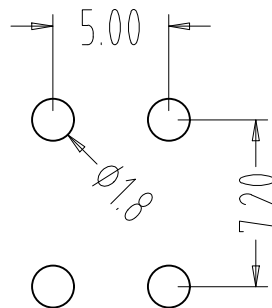
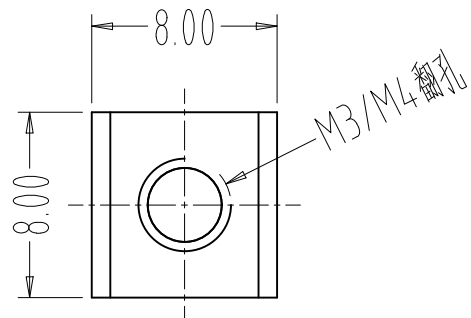
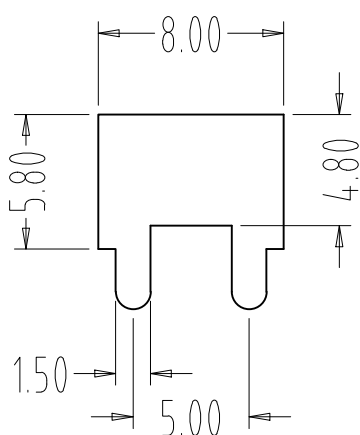
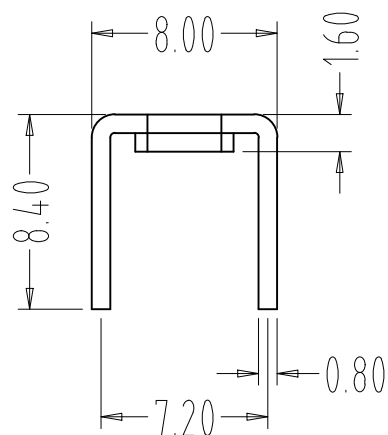


环保物料

TEL:0769-82001899



- 技术要求：
- 1.额定电流：30A
  - 2.材质：黄铜 T0.8mm
  - 3.表面处理：镀锡
  - 5.牙孔规格:M3 M4



				TOLERANCE UNLESS OTHERWISE		DRAWN	CK tan	<b>XFCN兴飞连接器有限公司</b> CONNECTORS XFCN CONNECTORS CO., LTD.		SHEET	1/1
				X.	±0.30	X°	±5°			CHKD	DATE
				.X	±0.20	.X°	±2°	APPD	PRODUCT NAME	PCB Soldering Terminal	
				.XX	±0.08	.XX°	±1°	VIEW	PART. NO.	SCALE	1:1
				.XXX	±0.03	.XXX°	±0.5°			T34001/T44001	DWG. NO.
A0	VER	MODIFICATION	DRAW	DATE							