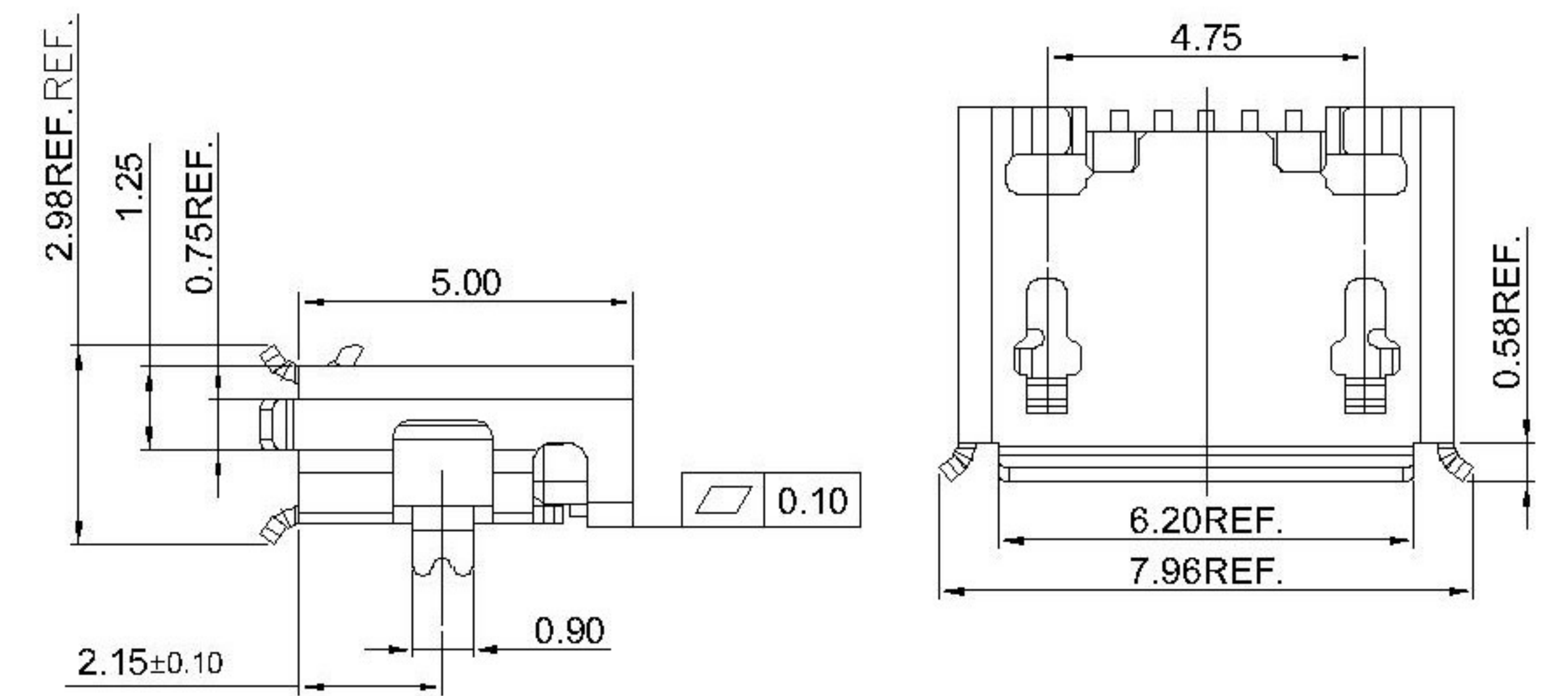
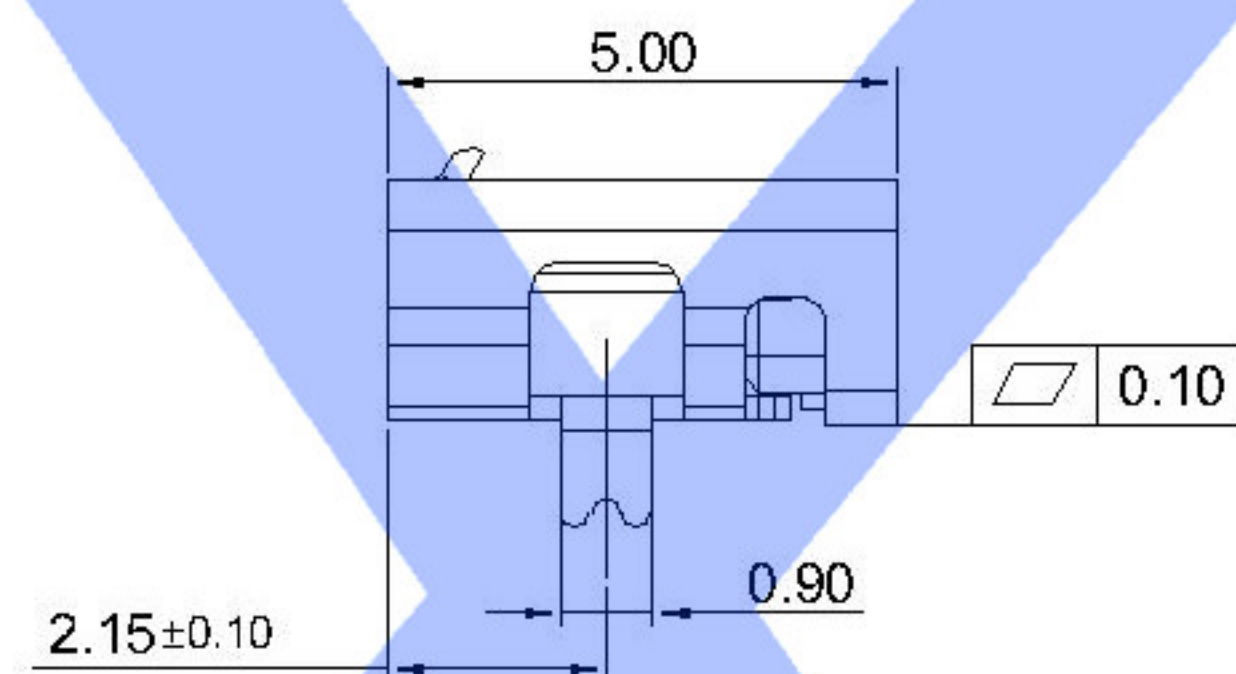
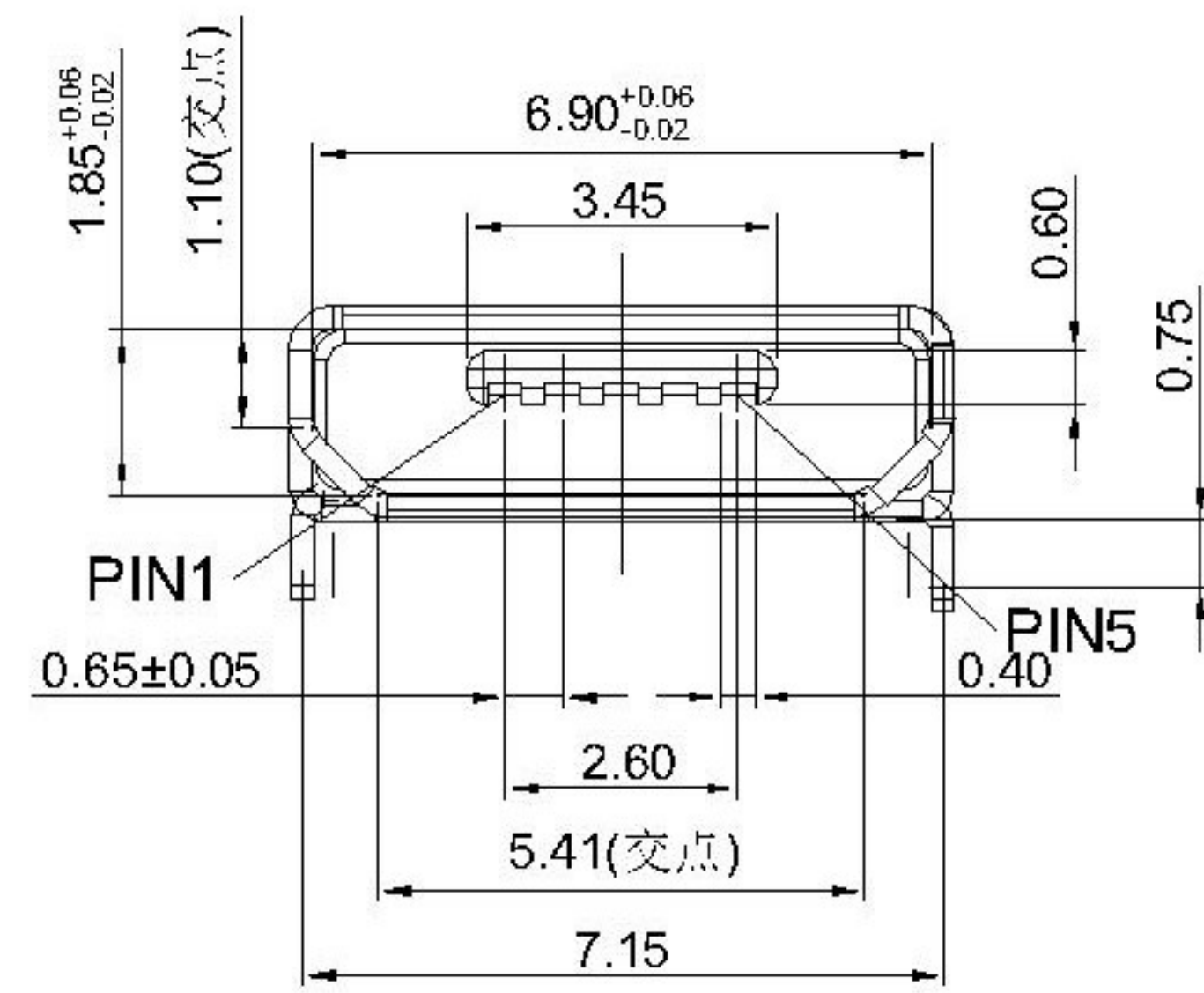


Flat (F)



Scrolls (S)



**Material**

Housing Material: LCP, UL94V-0, black

Contact Terminal: Copper Alloy

Metallic Shell: Sus

**Electrical**

Voltage Rating: 30 V AC

Current Rating: Signal (Pins 2,3,4): 1.0A, Power (Pins 1,5): 1.8A

Contact Resistance: 30mΩ Max

Insulation resistance: 1000MΩ Min

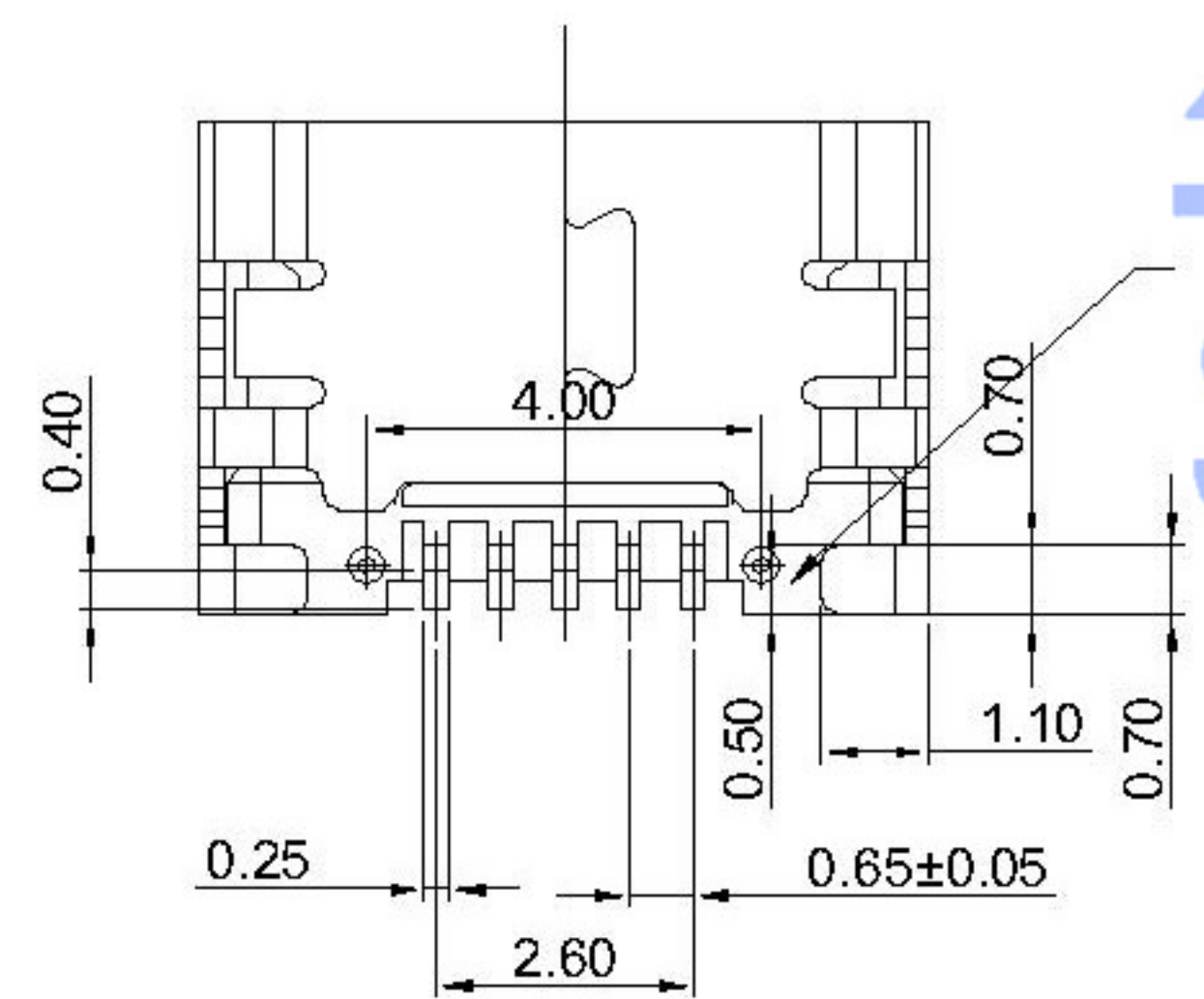
Dielectric withstanding voltage: 250V AC/Minute

**Mechanical**

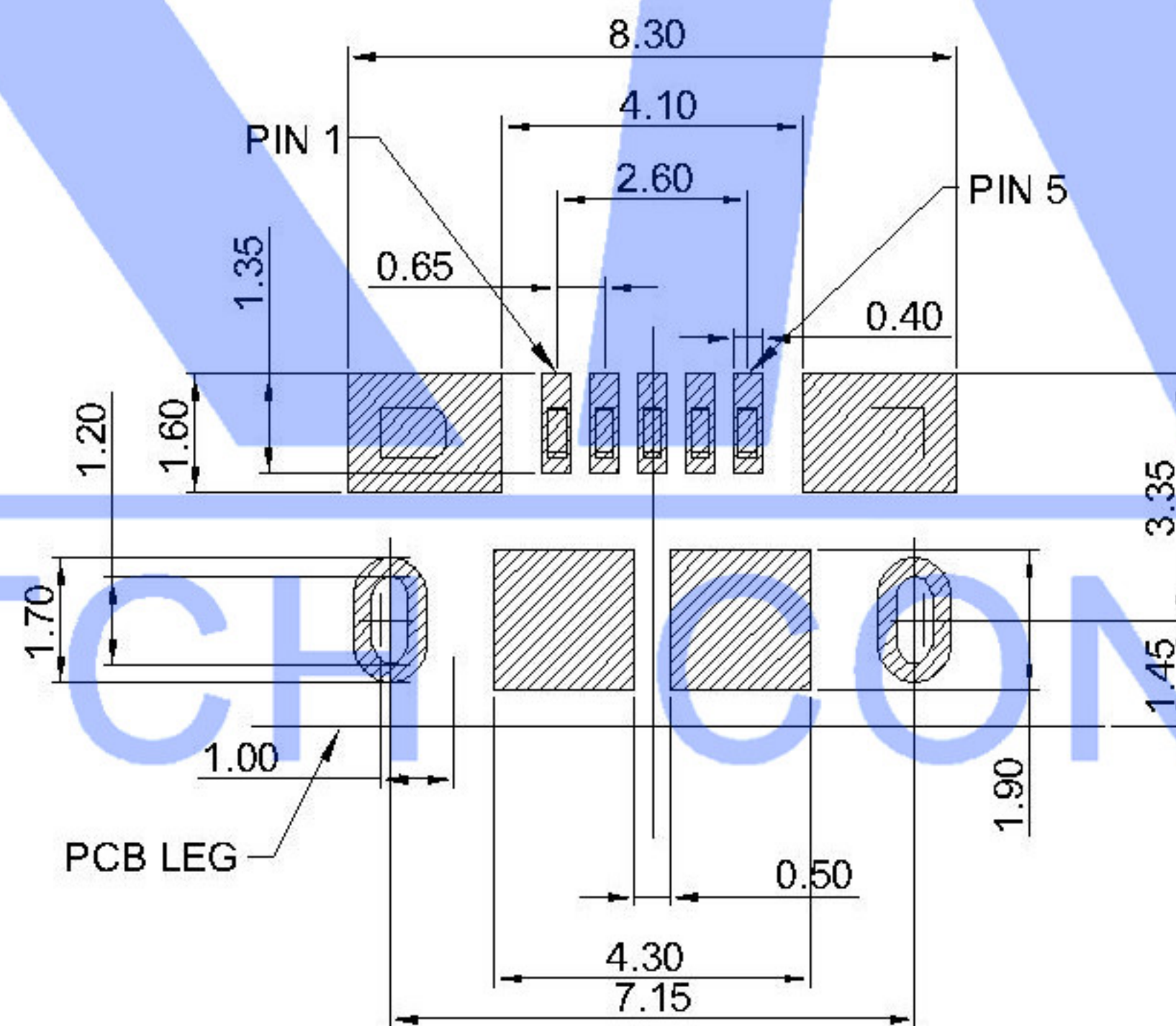
Durability: 10,000 cycles

Mating Force: 35N (3.57Kgf) Max

Unmating Force: 8N (0.82Kgf) Min.



1:With 2:Without



RECOMMENDED P.C.B. LAYOUT  
TOP VIEW (TOLRANCE: ±0.05)

U254-05XX-4BH81-X-X-S

1: Au 1U"  
6: Au 30U"  
T: TIN  
N: NICKEL

S: Sus  
1: With 2: Without  
S: Scrolls F: Flat

B: BLACK W: WHITE  
1: PBT  
2: PA6T  
3: PA9T  
4: LCP

DSND		DATE		SCALE: N/A	MODEL TYPE: MICRO USB																																				
DWN		DATE		VIEW:	PART NO.: U254-05XX-4BH81																																				
CHKD		DATE		UNIT: mm	DWG NO.: U254-05XX-4BH81-XXS																																				
APPD		DATE		SIZE: A4	WEIGHT: 1.0g																																				
				XKB INDUSTRIAL PRECISION CO., LIMITED	SHEET: 1/1																																				
				UNSPECIFIED TOLERANCES	REVISION: A0																																				
<table border="1"> <thead> <tr> <th>MARK</th> <th>DESCRIPTION</th> <th>DATE</th> <th>REVISED</th> <th>APPROVED</th> <th></th> </tr> </thead> <tbody> <tr> <td>△X</td> <td></td> <td></td> <td></td> <td></td> <td>ANGLAR ±5°</td> </tr> <tr> <td>△X</td> <td></td> <td></td> <td></td> <td></td> <td>L ≤ 4 ±0.2</td> </tr> <tr> <td>△X</td> <td></td> <td></td> <td></td> <td></td> <td>4 &lt; L ≤ 16 ±0.3</td> </tr> <tr> <td>△X</td> <td></td> <td></td> <td></td> <td></td> <td>16 &lt; L ≤ 63 ±0.4</td> </tr> <tr> <td>MARK</td> <td></td> <td></td> <td></td> <td></td> <td>L &gt; 63 ±0.5</td> </tr> </tbody> </table>						MARK	DESCRIPTION	DATE	REVISED	APPROVED		△X					ANGLAR ±5°	△X					L ≤ 4 ±0.2	△X					4 < L ≤ 16 ±0.3	△X					16 < L ≤ 63 ±0.4	MARK					L > 63 ±0.5
MARK	DESCRIPTION	DATE	REVISED	APPROVED																																					
△X					ANGLAR ±5°																																				
△X					L ≤ 4 ±0.2																																				
△X					4 < L ≤ 16 ±0.3																																				
△X					16 < L ≤ 63 ±0.4																																				
MARK					L > 63 ±0.5																																				
<p>REVISIONS</p> <p>www.xk-dg.cn www.1k0k.com www.1k0k.cn</p>																																									