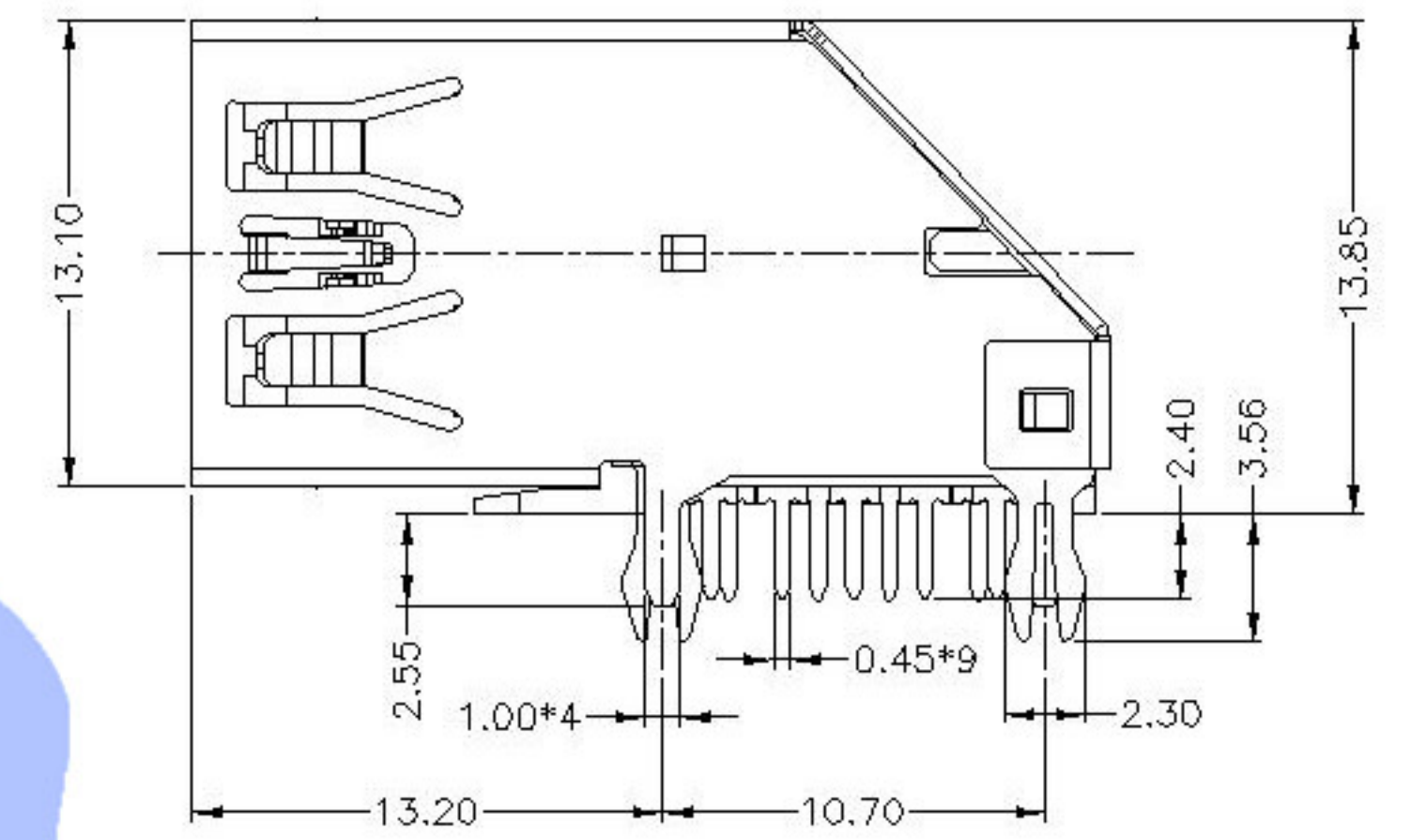
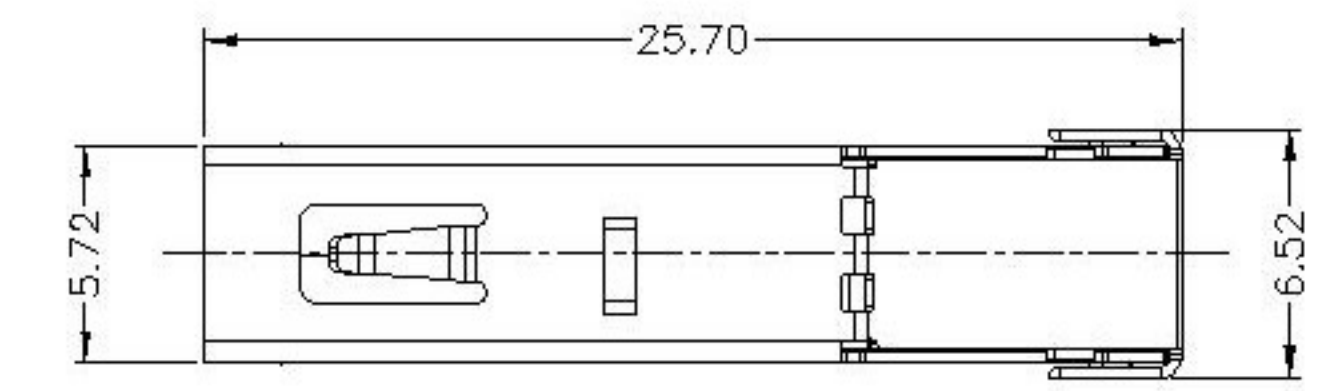
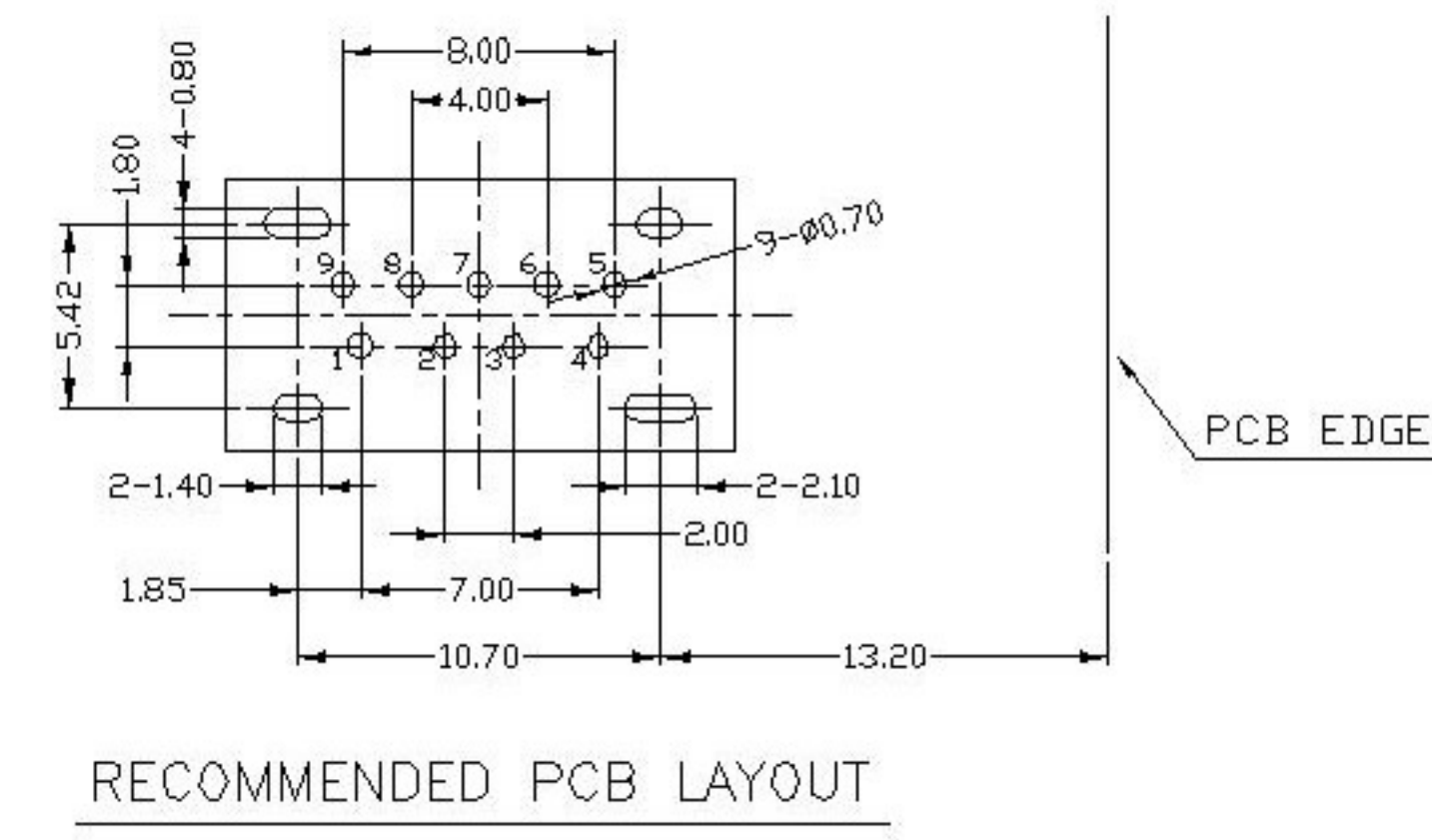
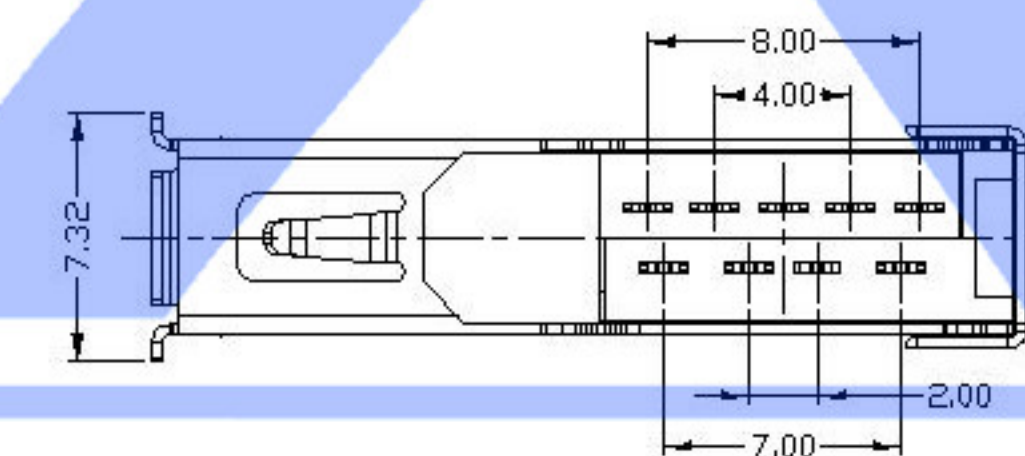
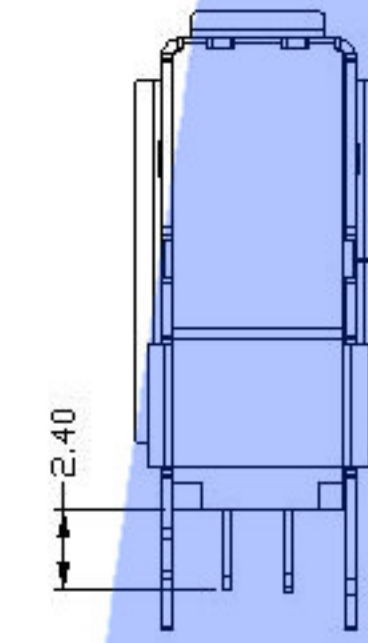
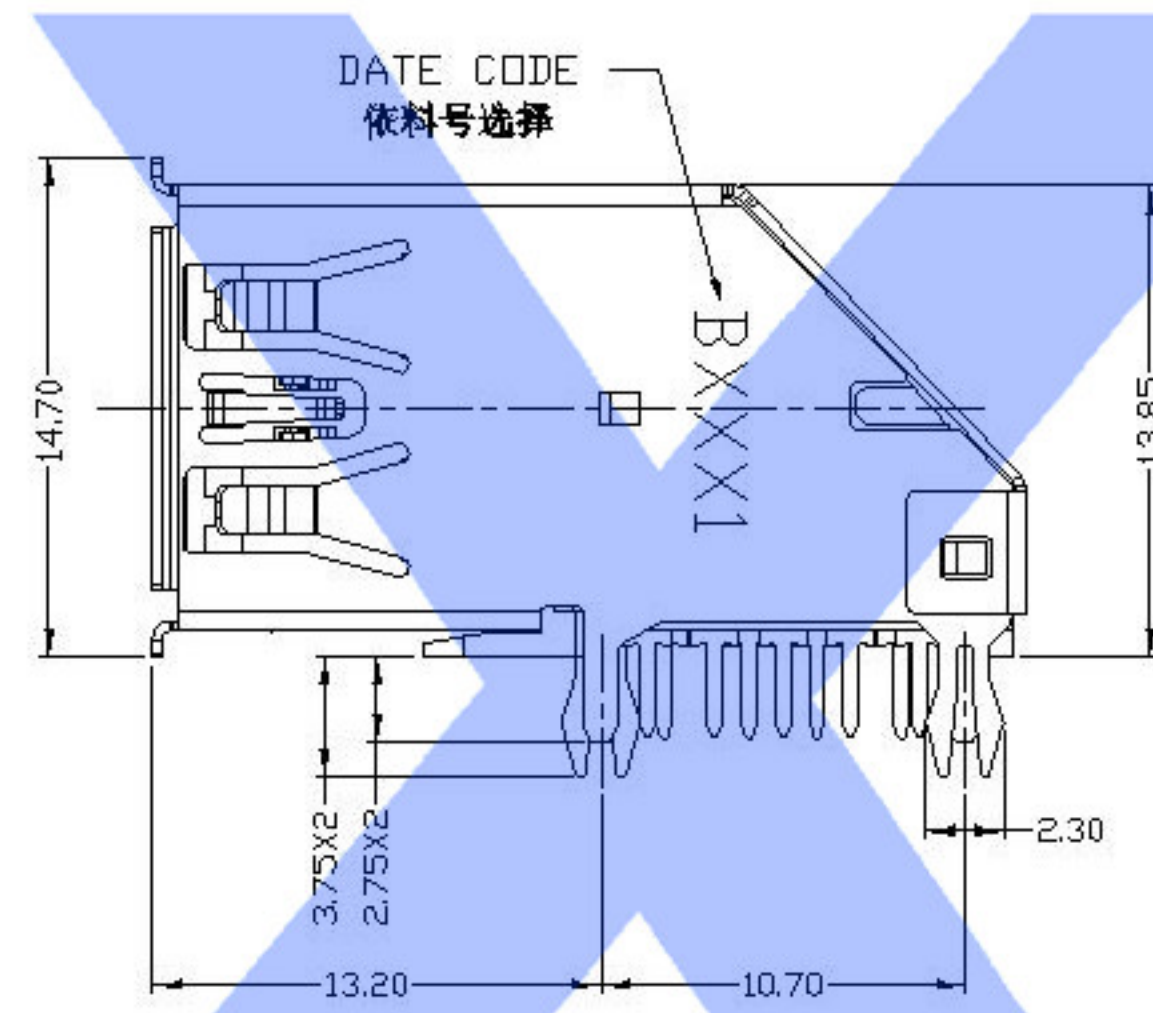
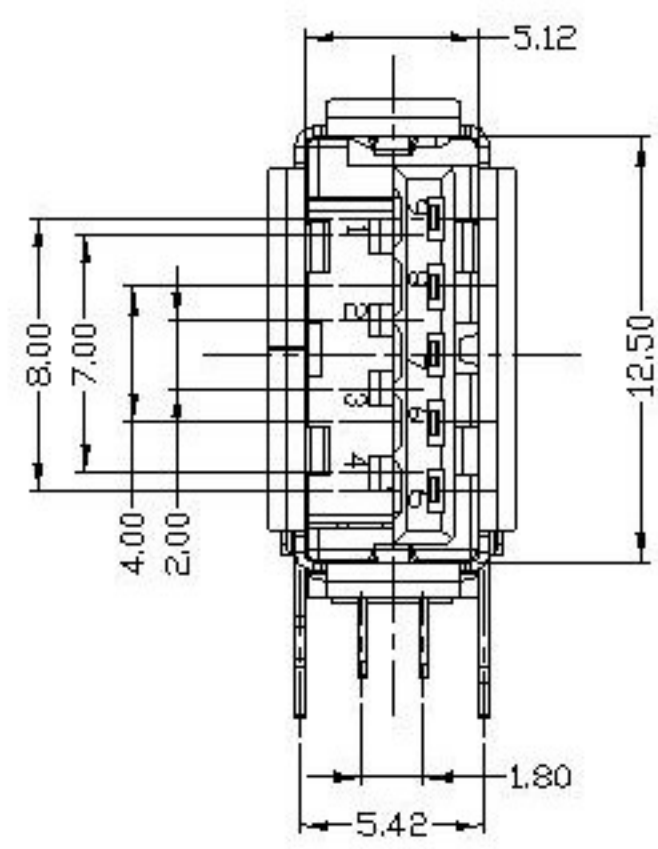


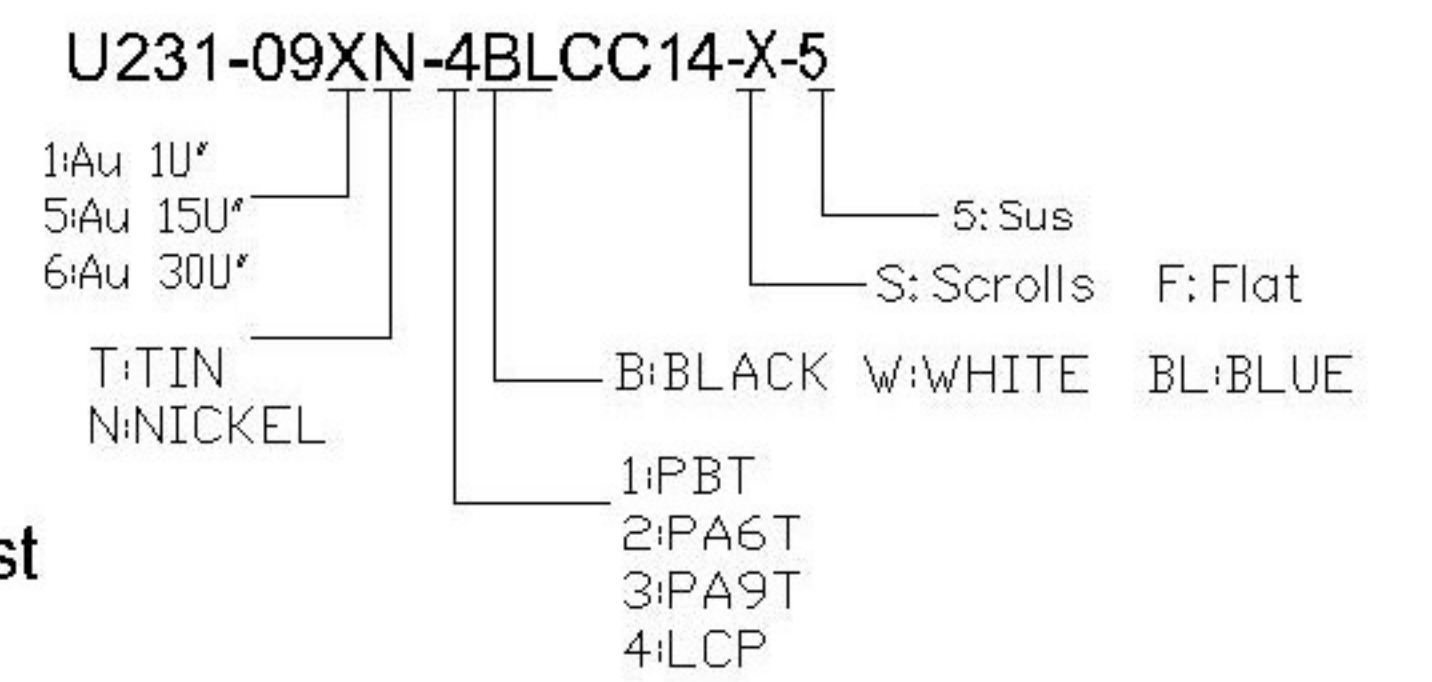
Scrolls (S)



Flat (F)



**Material**  
 Housing Material: LCP, UL94V-0, blue  
 Contact Terminal: Brass  
 Metallic Shell: Sus  
**Plating**  
 Underplating: Nickel  
 Contact Plating: 1μ" Gold  
 Solder Tail: 100μ" Min. Tin  
 Metallic Shell: Nickel  
**Electrical**  
 Voltage Rating: 100 V AC  
 Current Rating: 0.25A (Signal pins 2,3,5,6,7,8,9) 1.8A (Power Pins 1,4)  
 Contact Resistance: 30mΩ Max.  
 Insulation resistance: 1000MΩ Min.  
 Dielectric withstanding voltage: 100V AC/Minute  
**Mechanical**  
 Durability: 1500 cycles  
 Mating Force: 35N (3.57Kgf) Max  
 Unmating Force: 10N (1.02Kgf) Min. initial, 8N min after test  
 Environmental and Processing  
 Operating Temperature: -55°C to +85°C



Pin Number	Signal Name	Pin Number	Signal Name
1	VBUS	5	SSRX-
2	D-	6	SSRX+
3	D+	7	GND
4	GND	8	SSTX-
Shell	Shield	9	SSRT+

SWITCH CONNECTOR

REVISIONS					UNSPECIFIED TOLERANCES	DSND	DATE	SCALE: N/A	MODEL TYPE: USB 3.0		
Δ X					ANGLAR		DATE	VIEW:	PART NO.:		
Δ X					L ≤ 4	±5°	DATE	UNIT: mm	DWG NO.:		
Δ X					4 < L ≤ 16	±0.2	DATE	SIZE: A4	U231-09XN-4BLCC14-X-5		
MARK	DESCRIPTION	DATE	REVISED	APPROVED	16 < L ≤ 63	±0.3	DATE		WEIGHT		
					L > 63	±0.4	DATE		SHEET		
						±0.5			REVISION		
					XKB INDUSTRIAL PRECISION CO., LIMITED				1.0g	1/1	A0