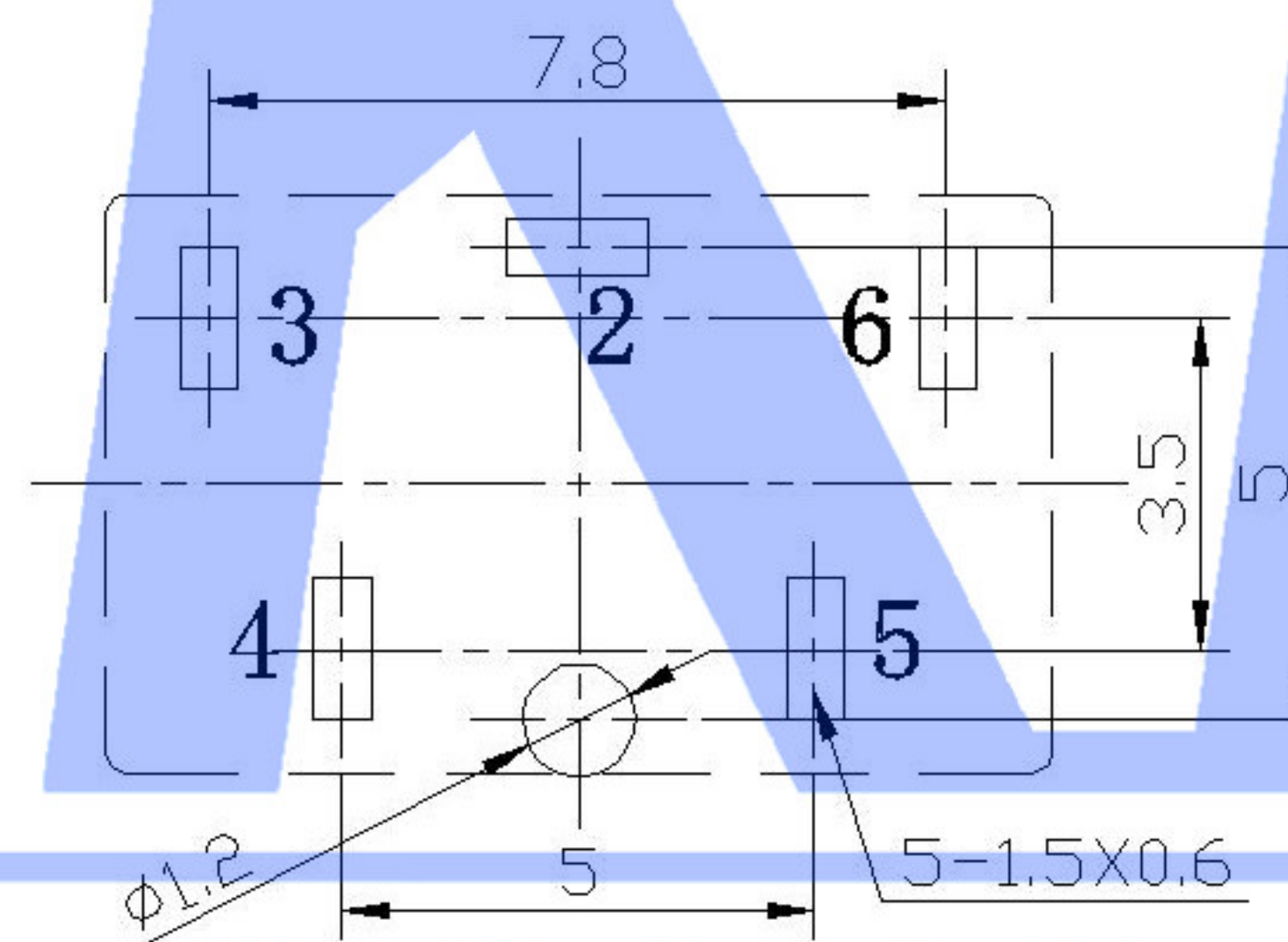
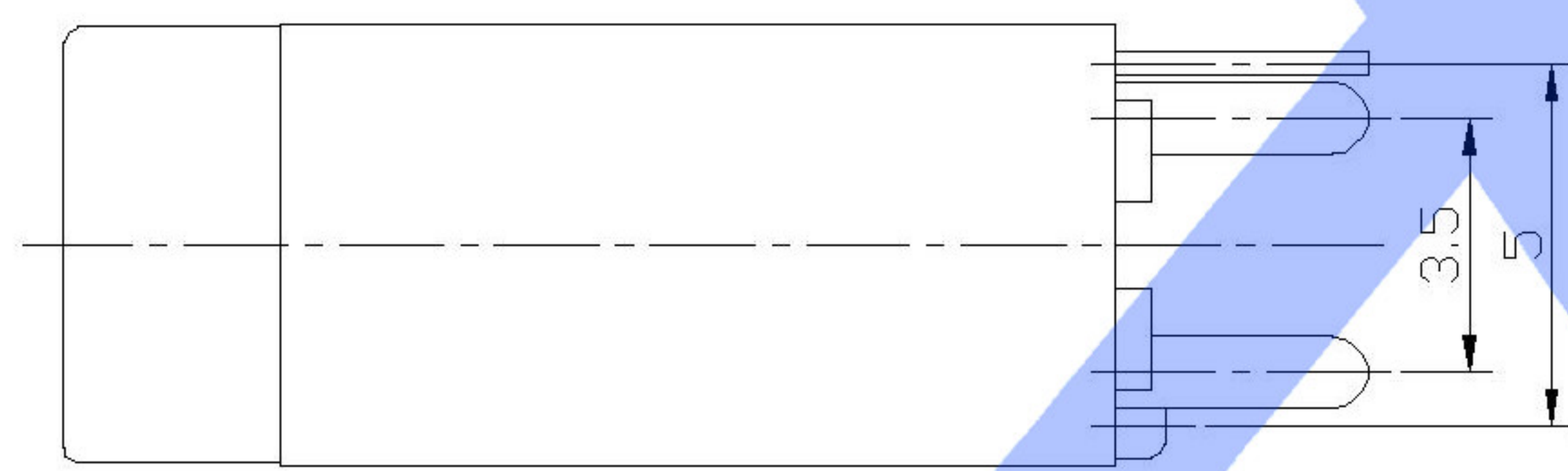


Temperature -20~70 C  
 Rated Load DC 30V 0.3A  
 Contact Resistance <math><0.03\Omega</math>  
 Insulation Resistance >100M $\Omega$   
 Withstand Voltage AC500V(50Hz)/min  
 Actuating Force 2.2~30N  
 Life 5000次



XKB

SWITCH CONNECTOR

Model No.	PJ-3582-	PJ-3583-
Schematic		
color	B:Black W:White	

	MATERIAL	PLATING
terminal 2	Phosphor Bronze	silver
terminal 3	Phosphor Bronze	silver
terminal 4	Phosphor Bronze	silver
terminal 5	Phosphor Bronze	silver
terminal 6	Phosphor Bronze	silver
plastic	Pbt	

					ANGLAR	$\pm 5^\circ$	DSND		DATE		SCALE: N/A	MODEL TYPE: 3.5 PHONE JACK	
$\Delta$ X					X.X	$\pm 0.2\text{mm}$	DWN		DATE		VIEW:	PART NO.:	
$\Delta$ X					X.XX	$\pm 0.1\text{mm}$	CHKD		DATE		UNIT: mm	DWG NO.: <b>PJ-358X-X</b>	
$\Delta$ X					X.XXX	$\pm 0.05\text{mm}$	APPD		DATE		SIZE: A4		
MARK	DESCRIPTION	DATE	REVISED	APPROVED	UNSPECIFIED TOLERANCES		XKB INDUSTRIAL PRECISION CO.,LIMITED				WEIGHT 1.0g	SHEET 1/1	REVISION A0
REVISIONS					www.xk-dg.cn www.helloxkb.com www.helloxkb.cn								