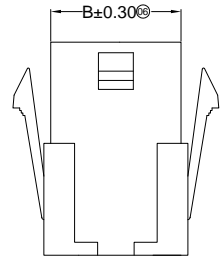
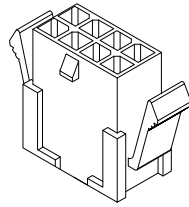
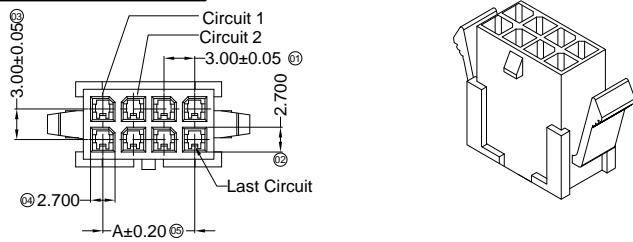
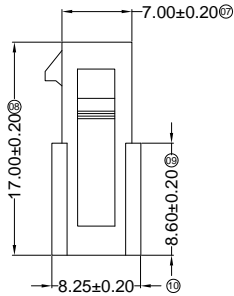


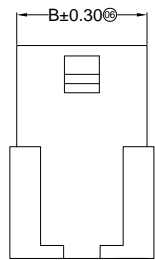
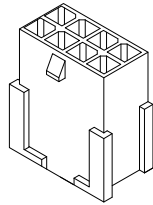
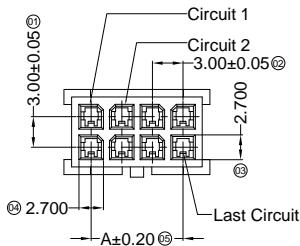
RoHS  Lead-free



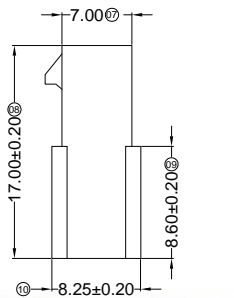
With Ears



01P-02P



Without Ears



01P-02P

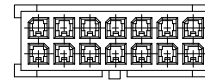
■ Specifications :

- Voltage rating: 250V AC / DC
- Current rating: 5A AC / DC
- Withstanding voltage: 1000V AC/minute
- Temperature range: -25°C~+85°C
- Insulation resistance: ≥1000MΩ
- Contact resistance: ≤10mΩ
- After environmental testing: ≤20mΩ

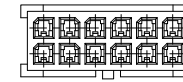
X3025 H F-2\*XX XX-N2 XX

① ② ③ ④ ⑤ ⑥ ⑦

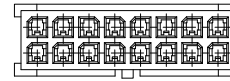
- ① Series No.
- ② Category: H-HSG
- ③ Welding Board Angle: F-Female HSG
- ④ Row No.-Pin No.: 2\*XX-2\*01P~2\*12P
- ⑤ Plug the Pin & special No.: I-Without Ears  
G-With Ears
- ⑥ Material: N2-PA66 94V-2;
- ⑦ Color: Blank-Natural Color



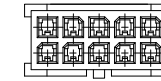
2X7PIN



2X6PIN



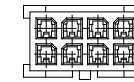
2X8PIN



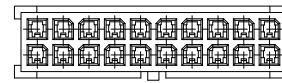
2X5PIN



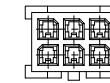
2X9PIN



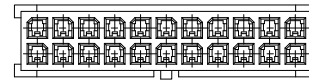
2X4PIN



2X10PIN



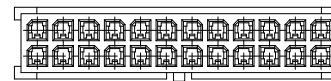
2X3PIN



2X11PIN



2X2PIN



2X12PIN



2X1PIN

Poles	Dimensions(mm)		Poles	Dimensions(mm)	
	A	B		A	B
2*01	3.00	4.00	2*07	18.00	22.00
2*02	3.00	7.00	2*08	21.00	25.00
2*03	6.00	10.00	2*09	24.00	28.00
2*04	9.00	13.00	2*10	27.00	31.00
2*05	12.00	16.00	2*11	30.00	34.00
2*06	15.00	19.00	2*12	33.00	37.00


X3025HF-2*XXG-N2	Nylon 66 94V-2	X3025TM	X3025HM	With Ears
X3025HF-2*XXI-N2	Nylon 66 94V-2			Without Ears
PART NO	Material	Suitable SWB Terminal	Mates With XKB Housing	Note

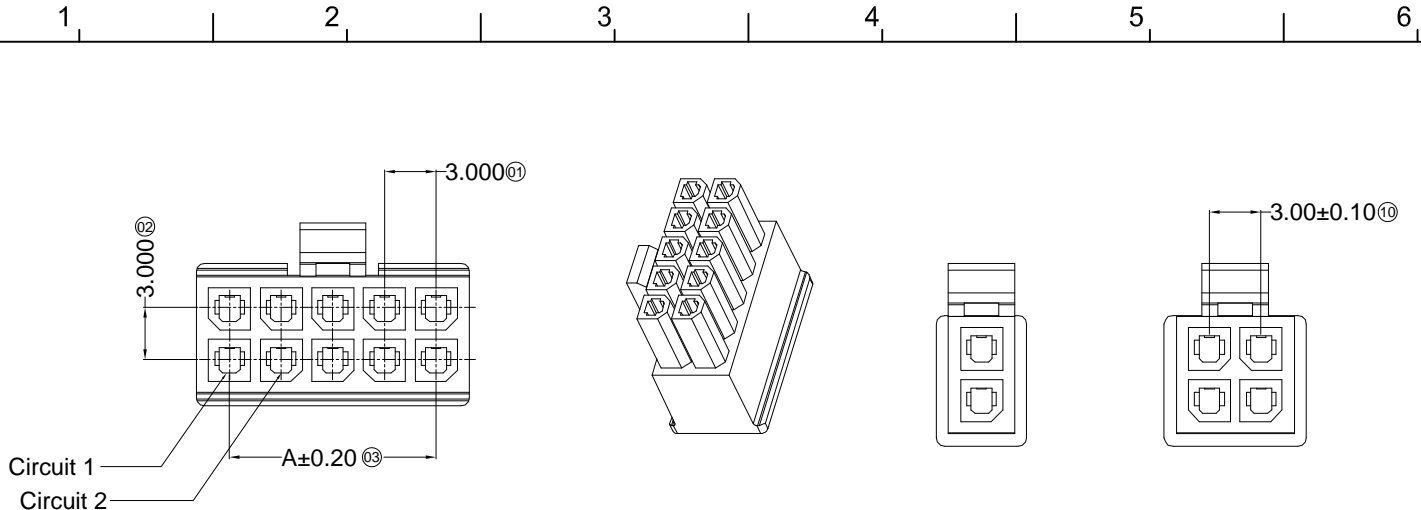
For and on behalf of  
**XKB INDUSTRIAL PRECISION CO., LIMITED**  
 香港星坤工業精密有限公司

Authorized Signature(s)

ANGULAR	±5°
L ≤ 4	±0.2
4 < L ≤ 16	±0.3
16 < L ≤ 63	±0.4
L > 63	±0.5

UNSPECIFIED TOLERANCES

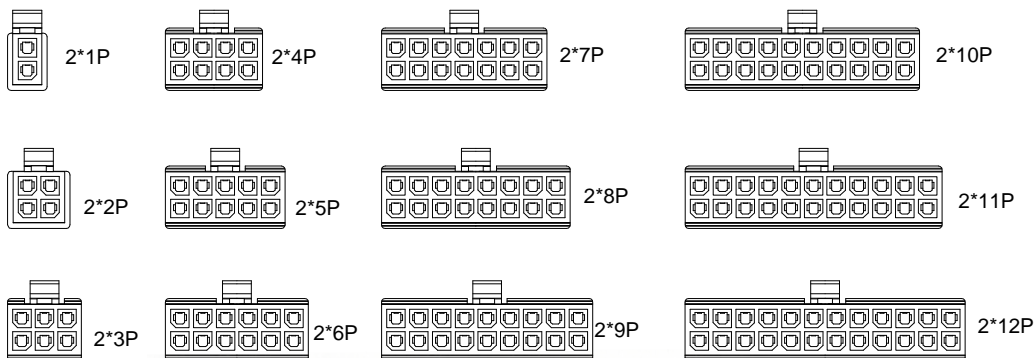
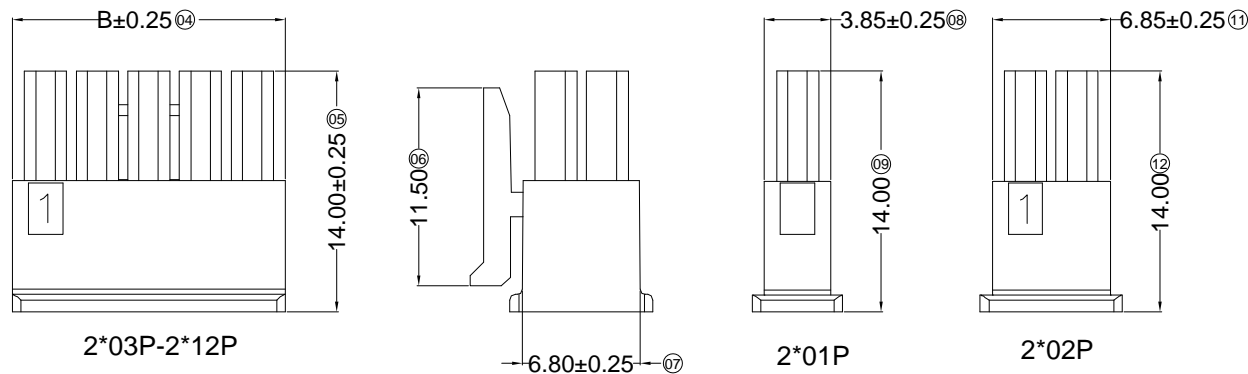
DSND	DATE	SCALE: N/A	MODEL TYPE: X3025HF-2*XXX-N2
DWN	DATE	VIEW: 	PART NO.:
CHKD	DATE	UNIT: mm	3.00 mm Crimp Style Connectors
APPD	DATE	SIZE: A4	DWG NO.:
XKB INDUSTRIAL PRECISION CO., LIMITED		WEIGHT	SHEET
		1.0g	1/1
		REVISION	A0



- Specifications :**
- Voltage rating: 250V AC / DC
  - Current rating: 5A AC / DC
  - Withstanding voltage: 1000V AC/minute
  - Temperature range: -25°C~+85°C
  - Insulation resistance: ≥1000MΩ
  - Contact resistance: ≤10mΩ
  - After environmental testing: ≤20mΩ

X3025 H M-2\*XX XX-N2 XX

- ① Series No.  
 ② Category: H-HSG  
 ③ Welding Board Angle: M-Male HSG  
 ④ Row No.-Pin No.: 2\*XX-2\*01P~2\*12P  
 ⑤ Plug the Pin & special No.:  
 ⑥ Material: N2-PA66 94V-2;  
 ⑦ Color: Blank-Natural Color



Poles	Dimensions(mm)		Poles	Dimensions(mm)	
	A	B		A	B
2*01	3.00	9.85	2*07	18.00	21.85
2*02	3.00	9.85	2*08	21.00	24.85
2*03	6.00	9.85	2*09	24.00	27.85
2*04	9.00	12.85	2*10	27.00	30.85
2*05	12.00	15.85	2*11	30.00	33.85
2*06	15.00	18.85	2*12	33.00	36.85

△ X3025HM-2*XX-N2	Nylon 66 94V-2	X3025TF	X3025W
PART NO	Material	Suitable SWB Terminal	Mates With XKB Wafer

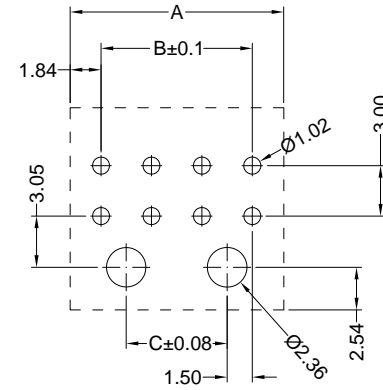
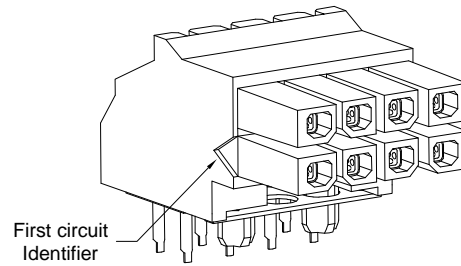
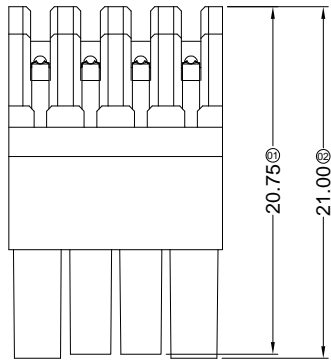
For and on behalf of  
**XKB INDUSTRIAL PRECISION CO., LIMITED**  
 香港星坤工業精密有限公司

MARK	DESCRIPTION	DATE	REVISED	APPROVED	UNSPECIFIED TOLERANCES
△ X					ANGULAR ±5°
△ X					L ≤ 4 ±0.2
△ X					4 < L ≤ 16 ±0.3
					16 < L ≤ 63 ±0.4
					L > 63 ±0.5

DSND	DATE	SCALE: N/A	MODEL TYPE: X3025HM-2*XX-N2
DWN	DATE	VIEW:	PART NO.:
CHKD	DATE	UNIT: mm	3.00 mm Crimp Style Connectors
APPD	DATE	SIZE: A4	DWG NO.:
			WEIGHT 1.0g
			SHEET 1/1
			REVISION A0

REVISIONS  
 Authorized Signature(s)

**XKB INDUSTRIAL PRECISION CO., LIMITED**



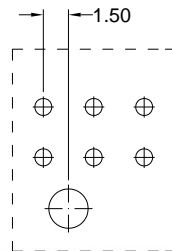
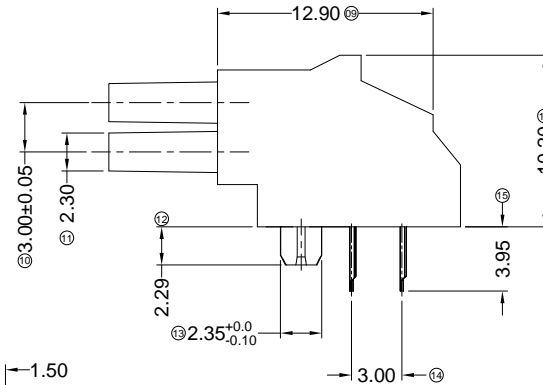
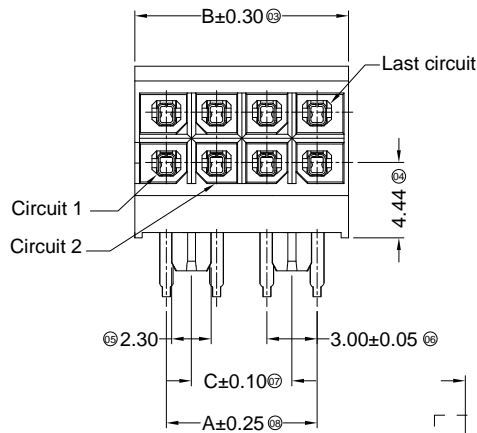
■ Specifications :

- Voltage rating: 250V AC / DC
- Current rating: 5A AC / DC
- Withstanding voltage: 1000V AC/minute
- Temperature range: -25°C~+85°C
- Insulation resistance: ≥1000MΩ
- Contact resistance: ≤10mΩ
- After environmental testing: ≤20mΩ

X3025 H R-2\*XX XX-LP SN XX

① ② ③ ④ ⑤ ⑥ ⑦ ⑧

- ① Series No.
- ② Category: H-HSG
- ③ Welding Board Angle: BOARD-IN:R-90°
- ④ Row No.-Pin No.: 2\*XX-2\*02P~2\*12P
- ⑤ Plug the Pin & special No.:
- ⑥ Material: LP-LCP 94V-0;
- ⑦ Planting Category: SN-Bright tin plating
- ⑧ Color: Blank-Natural Color



Poles	Dimensions(mm)			Poles	Dimensions(mm)		
	A	B	C		A	B	C
2*02	3.00	6.70		2*08	21.00	24.70	18.00
2*03	6.00	9.70		2*09	24.00	27.70	21.00
2*04	9.00	12.70	6.00	2*10	27.00	30.70	24.00
2*05	12.00	15.70	9.00	2*11	30.00	33.70	27.00
2*06	15.00	18.70	12.00	2*12	33.00	36.70	30.00
2*07	18.00	21.70	15.00				

X3025HR-2*XX-LPSN	LCP UL 94V-0	Brass	Tin-Plated	X3025HW or 3025H
Part No.	Material	Material(Pin)	Finish(Pin)	Mates With XKB Housing

For and on behalf of  
**XKB INDUSTRIAL PRECISION CO., LIMITED**  
 香港星坤工業精密有限公司

MARK	DESCRIPTION	DATE	REVISED	APPROVED	UNSPECIFIED TOLERANCES
△ X					ANGULAR ±5°
△ X					L ≤ 4 ±0.2
△ X					4 < L ≤ 16 ±0.3
△ X					16 < L ≤ 63 ±0.4
MARK					L > 63 ±0.5

DSND	DATE	SCALE: N/A	MODEL TYPE: X3025HR-2*XX-LPSN
DWN	DATE	VIEW:	PART NO.:
CHKD	DATE	UNIT: mm	3.00 mm Crimp Style Connectors
APPD	DATE	SIZE: A4	DWG NO.:
			WEIGHT 1.0g
			SHEET 1/1
			REVISION A0

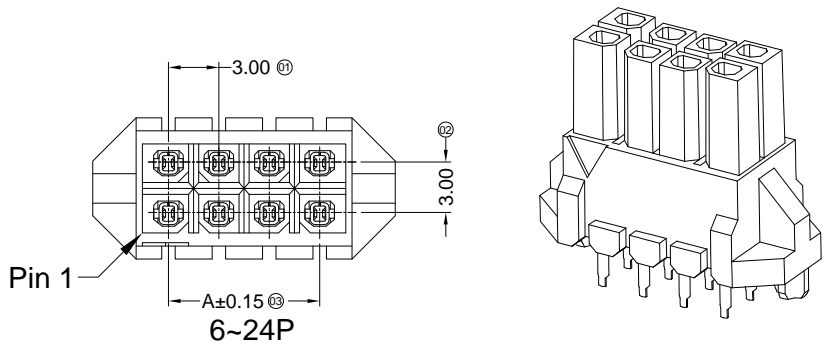
Authorized Signature(s)

**XKB INDUSTRIAL PRECISION CO., LIMITED**

1 2 3 4 5 6 7 8

A  
B  
C  
D  
E  
F

A  
B  
C  
D  
E  
F

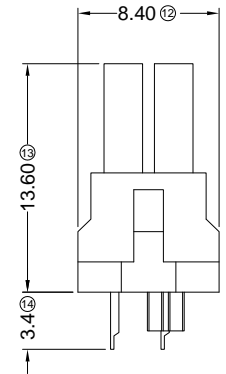
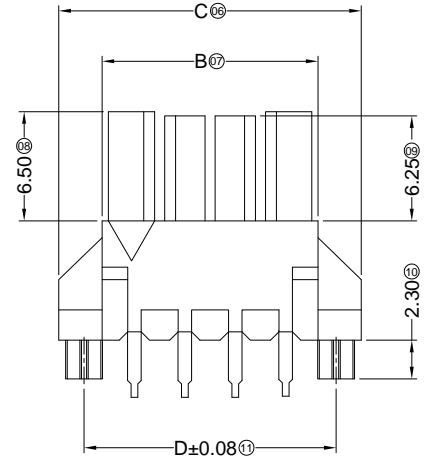
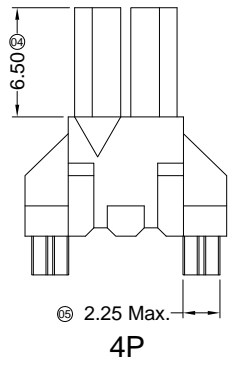


**Specifications :**

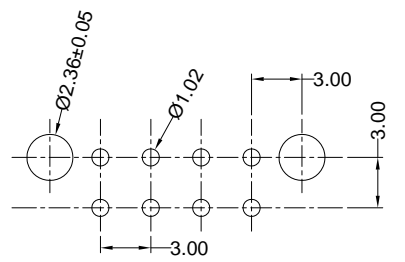
- Voltage rating: 250V AC / DC
- Current rating: 5A AC / DC
- Withstanding voltage: 1000V AC/minute
- Temperature range: -25°C~+85°C
- Insulation resistance: ≥1000MΩ
- Contact resistance: ≤10mΩ
- After environmental testing: ≤20mΩ

X3025 H V-2\*XX XX-LP SN XX  
① ② ③ ④ ⑤ ⑥ ⑦ ⑧

- ① Series No.
- ② Category: H-HSG
- ③ Welding Board Angle: BOARD-IN: V-180°
- ④ Row No.-Pin No.: 2\*XX-2\*02P~2\*12P
- ⑤ Plug the Pin & special No.:
- ⑥ Material: LP-LCP 94V-0;
- ⑦ Planting Category: SN-Bright tin plating
- ⑧ Color: Blank-Natural Color



Poles	Dimensions(mm)			
	A	B	C	D
2*02	3.00	6.85	12.00	9.00
2*03	6.00	9.85	15.00	12.00
2*04	9.00	12.85	18.00	15.00
2*05	12.00	15.85	21.00	18.00
2*06	15.00	18.85	24.00	21.00
2*07	18.00	21.85	27.00	24.00
2*08	21.00	24.85	30.00	27.00
2*09	24.00	27.85	33.00	30.00
2*10	27.00	30.85	36.00	33.00
2*11	30.00	33.85	39.00	36.00
2*12	33.00	36.85	42.00	39.00



Recommended P.C.B Layout

X3025HV-2*XX-LPSN	LCP UL 94V-0	Brass	Tin-Plated	X3025HW or 3025H
Part No.	Material	Material(Pin)	Finish(Pin)	Mates With XKB Housing

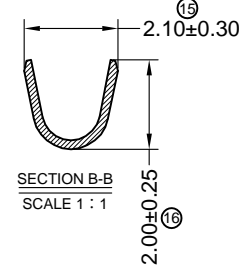
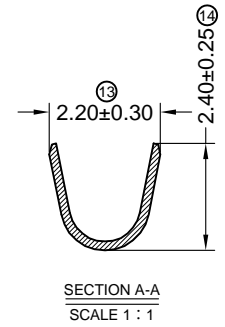
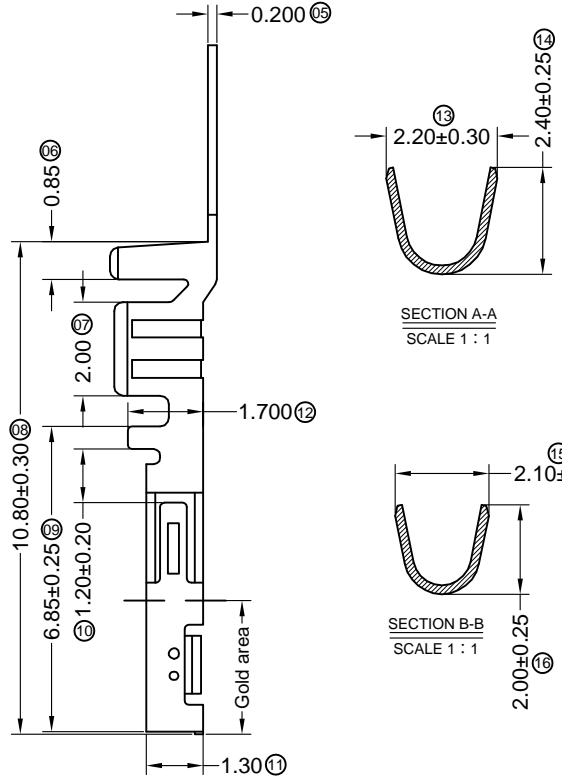
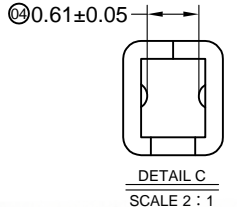
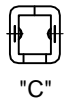
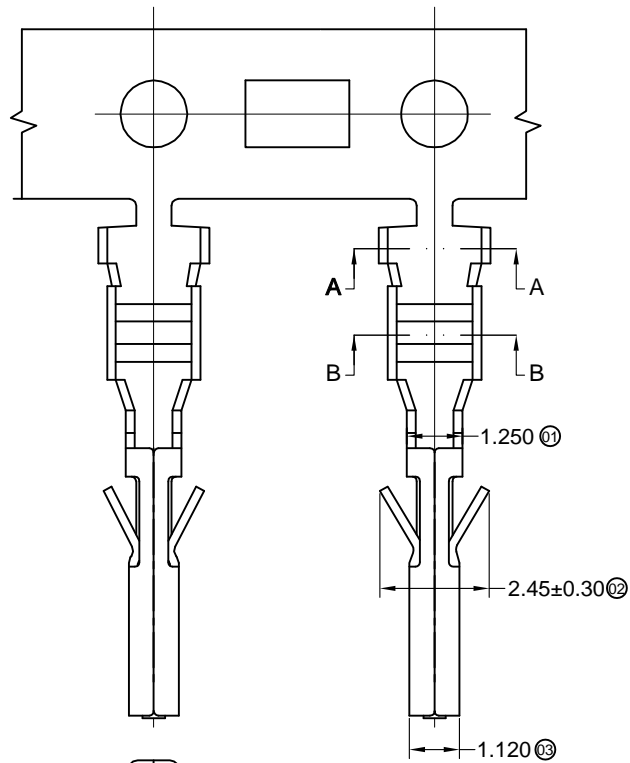
For and on behalf of  
**XKB INDUSTRIAL PRECISION CO., LIMITED**  
**香港星坤工業精密有限公司**

△ X						ANGULAR	±5°	
△ X						L ≤ 4	±0.2	
△ X						4 < L ≤ 16	±0.3	
△ X						16 < L ≤ 63	±0.4	
MARK	DESCRIPTION	DATE	REVISED	APPROVED		L > 63	±0.5	
REVISIONS							UNSPECIFIED TOLERANCES	

DSND		DATE		SCALE: N/A	MODEL TYPE: X3025HV-2*XX-LPSN	
DWN		DATE		VIEW:	PART NO.:	
CHKD		DATE		UNIT: mm	3.00 mm Crimp Style Connectors	
APPD		DATE		SIZE: A4	DWG NO.:	
				WEIGHT	SHEET	REVISION
				1.0g	1/1	A0

**XKB INDUSTRIAL PRECISION CO., LIMITED**

1 2 3 4 5 6 7 8



- Specifications :**
- Voltage rating: 250V AC / DC
  - Current rating: 5A AC / DC
  - Withstanding voltage: 1000V AC/minute
  - Temperature range: -40°C~+85°C
  - Insulation resistance: ≥1000MΩ
  - Contact resistance: ≤10mΩ
  - After environmental testing: ≤20mΩ

**X3025 T F-P XX X-X**

- (1) Series Number
- (2) Category: T-terminal
- (3) Shape: F-Female Terminal
- (4) Material: P-Phosphor bronze
- (5) Plating style:  
G-Gold-Plated Contact  
\*01-Gold Flash \*15-15u" \*30-30u"  
SN-Bright tin plating 70-120u"
- (6) Plating method:  
Blank-Stamping before plating
- (7) Mold No./Mark/Special No.

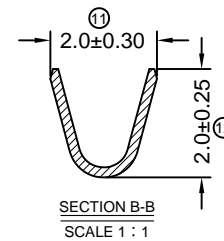
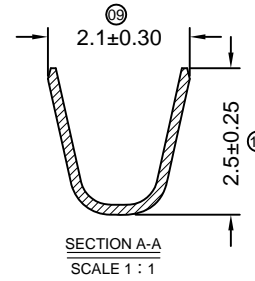
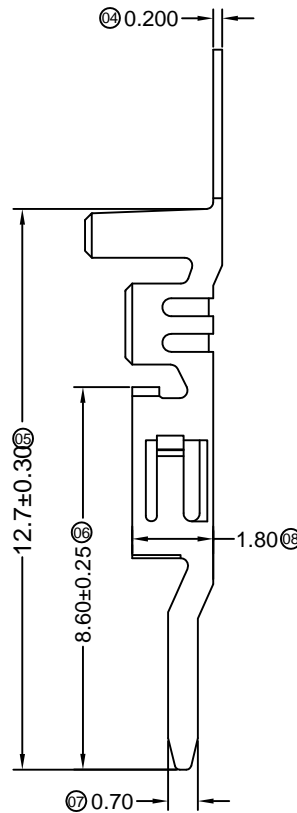
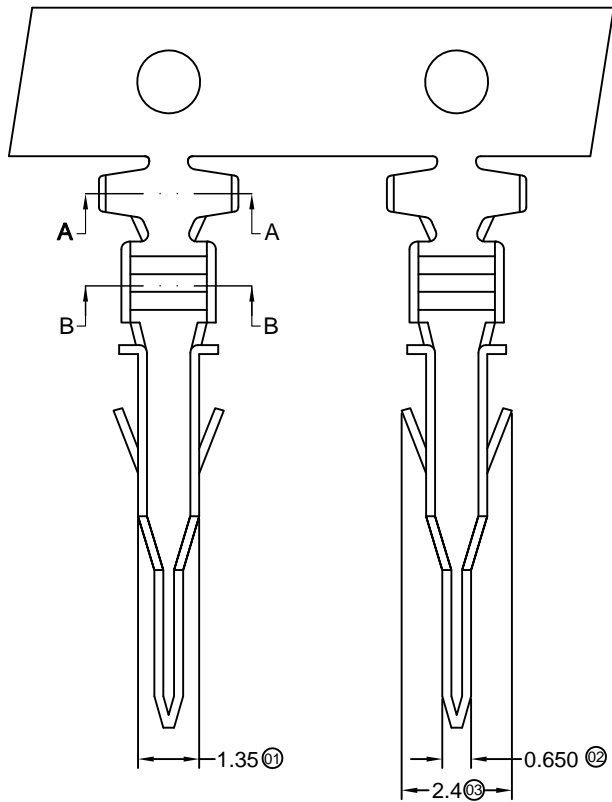
X3025TF-PG30	Phosphor Bronze	AWG#20-24	1.85mm(Max)	Stamping Before Pating:30-50u" Ni;Contact Area Gold:30u" Min.	X3025HM
X3025TF-PG15				Stamping Before Pating:30-50u" Ni;Contact Area Gold:15u" Min.	
X3025TF-PG01				Stamping Before Pating:30-50u" Ni;Contact Area Gold Flash	
X3025TF-PSN				Stamping Before Plating:30-50u" Ni;70-120u" Sn	
PART NO	Material	Wire Range	Insulation O.D.	Finish	Used In XKB Housing

For and on behalf of  
**XKB INDUSTRIAL PRECISION CO., LIMITED**  
**香港星坤工業精密有限公司**

△ X	DESCRIPTION	DATE	REVISED	APPROVED	UNSPECIFIED TOLERANCES	DSND	DATE	SCALE: N/A	MODEL TYPE: X3025TF-PXXX
△ X						DWN	DATE	VIEW:	PART NO.:
△ X						CHKD	DATE	UNIT: mm	3.00 mm Crimp Style Connectors
△ X						APPD	DATE	SIZE: A4	DWG NO.:
MARK									WEIGHT 1.0g
									SHEET 1/1
									REVISION A0

REVISIONS  
 Authorized Signature(s)

**XKB INDUSTRIAL PRECISION CO., LIMITED**



■ Specifications :

- Voltage rating: 250V AC / DC
- Current rating: 5A AC / DC
- Withstanding voltage: 1000V AC/minute
- Temperature range: -25°C~+85°C
- Insulation resistance: ≥1000MΩ
- Contact resistance: ≤10mΩ
- After environmental testing: ≤20mΩ

X3025 T M-P XX X-X

(11) (12) (13) (14) (15) (16) (17)

(11) Series Number

(12) Category: T-terminal

(13) Shape: M-Male Terminal

(14) Material: P-Phosphor bronze

(15) Plating style:

G-Gold-Plated Contact

\*01-Gold Flash \*15-15u" \*30-30u"

SN-Bright tin plating 70u"

(16) Plating method:

Blank-Stamping before plating

(17) Mold No./Mark/Special No.

X3025TM-PG30	Phosphor Bronze	AWG#20-24	1.85mm(Max)	Stamping Before Pating:30u" Ni;Contact Area Gold:30u" Min.	X3025HF
X3025TM-PG15				Stamping Before Pating:30u" Ni;Contact Area Gold:15u" Min.	
X3025TM-PG01				Stamping Before Pating:30u" Ni;Contact Area Gold Flash	
X3025TM-PSN				Stamping Before Pating:30u" Ni;70u"Sn	
PART NO	Material	Wire Range	Insulation O.D.	Finish	Used In XKB Housing

For and on behalf of  
**XKB INDUSTRIAL PRECISION CO., LIMITED**  
**香港星坤工業精密有限公司**

△ X					ANGULAR	± 5°	DSND		DATE	SCALE: N/A	MODEL TYPE: X3025TM-PXX	
△ X					L ≤ 4	± 0.2	DWN		DATE	VIEW:	PART NO.:	
△ X					4 < L ≤ 16	± 0.3	CHKD		DATE	UNIT: mm	3.00 mm Crimp Style Connectors	
△ X					16 < L ≤ 63	± 0.4	APPD		DATE	SIZE: A4	DWG NO.:	
MARK	DESCRIPTION	DATE	REVISED	APPROVED	L > 63	± 0.5						
					UNSPECIFIED TOLERANCES		<b>XKB INDUSTRIAL PRECISION CO., LIMITED</b>			WEIGHT	SHEET	REVISION
										1.0g	1/1	A0

REVISIONS  
 Authorized Signature(s)

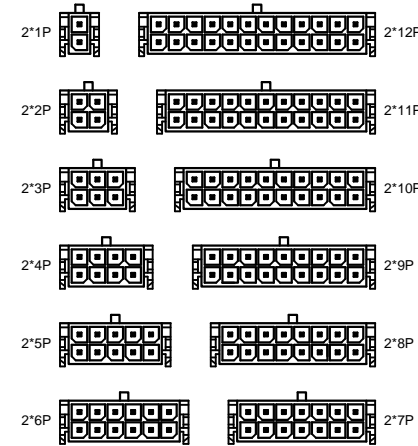
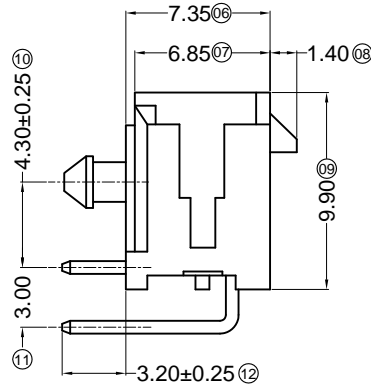
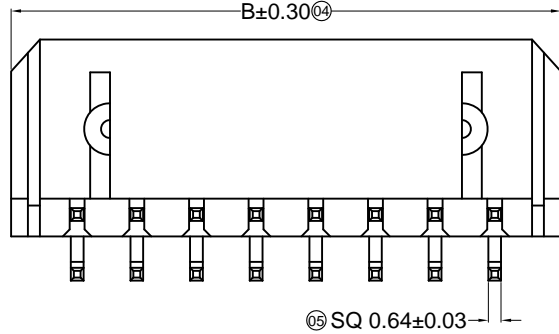
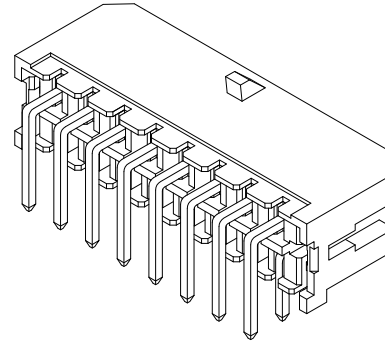
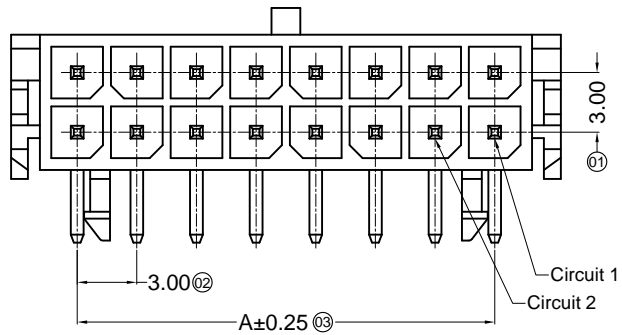
**Specifications :**

- Voltage rating: 250V AC / DC
- Current rating: 5A AC / DC
- Withstanding voltage: 1000V AC/minute
- Temperature range: -25°C~+85°C
- Insulation resistance: ≥1000MΩ
- Contact resistance: ≤10mΩ
- After environmental testing: ≤20mΩ

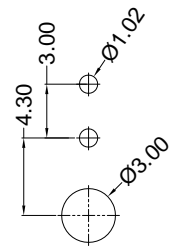
X3025 W R X-2\*XX X-N0 XX XX

① ② ③ ④ ⑤ ⑥ ⑦ ⑧ ⑨

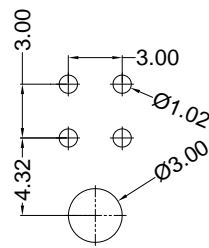
- ① Series No.
- ② Category: W-wafer
- ③ Welding Board Angle: R-90°
- ④ Welding Way: Blank-DIP
- ⑤ Row No.-Pin No.: 2\*XX-2\*01P~2\*12P
- ⑥ Special NO. :
- ⑦ Material: **46-PA46 94V-0**
- ⑧ Planting Category: G01-Contact Gold Flash; SN-Bright tin plating
- ⑨ Color: Blank-natural color



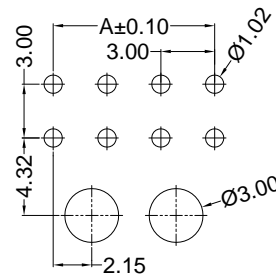
Poles	Dimensions (mm)	
	A	B
2*01	---	6.65
2*02	3.00	9.65
2*03	6.00	12.65
2*04	9.00	15.65
2*05	12.00	18.65
2*06	15.00	21.65
2*07	18.00	24.65
2*08	21.00	27.65
2*09	24.00	30.65
2*10	27.00	33.65
2*11	30.00	36.65
2*12	33.00	39.65



2P P.C.B LAYOUT



4P~6P P.C.B LAYOUT



8P~24P P.C.B LAYOUT

Scale 1:3

X3025WR-2*XX-46G01	PA46 UL 94V-0	Brass	Contact Gold	X3025H
X3025WR-2*XX-46SN	PA46 UL 94V-0		Tin-Plated	
Part No.	Material	Material(Pin)	Finish(Pin)	Mates With XKB Housing

For and on behalf of  
**XKB INDUSTRIAL PRECISION CO., LIMITED**  
 香港星坤工業精密有限公司

Authorized Signature(s)

DSND	DATE	SCALE: N/A	MODEL TYPE: X3025WR-2*XX-N0XXX
DWN	DATE	VIEW:	PART NO.:
CHKD	DATE	UNIT: mm	3.00 mm Crimp Style Connectors
APPD	DATE	SIZE: A4	DWG NO.:
UNSPECIFIED TOLERANCES		XKB INDUSTRIAL PRECISION CO., LIMITED	
WEIGHT	SHEET	REVISION	
1.0g	1/1	A0	

△ X	DESCRIPTION	DATE	REVISED	APPROVED	ANGULAR	±5°
△ X					L ≤ 4	±0.2
△ X					4 < L ≤ 16	±0.3
MARK					16 < L ≤ 63	±0.4
					L > 63	±0.5

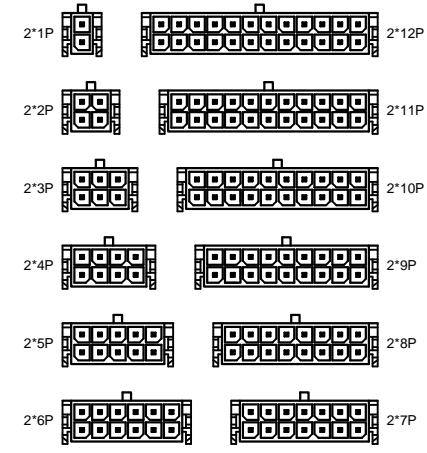
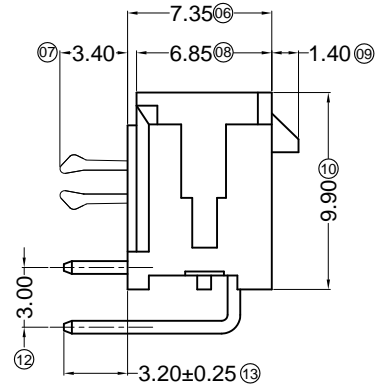
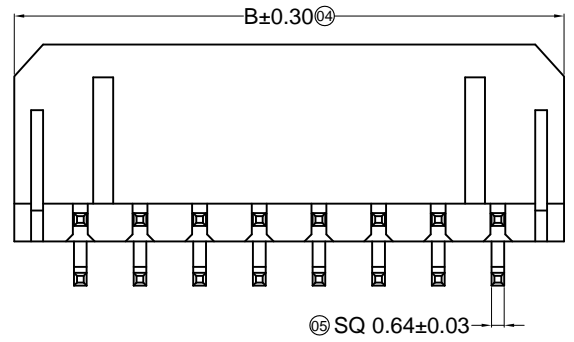
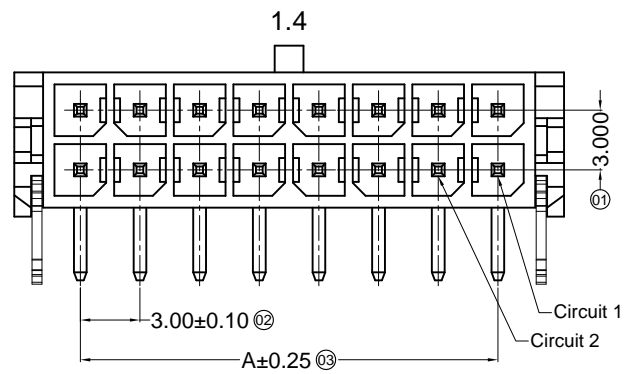
1 2 3 4 5 6 7 8

**Specifications :**

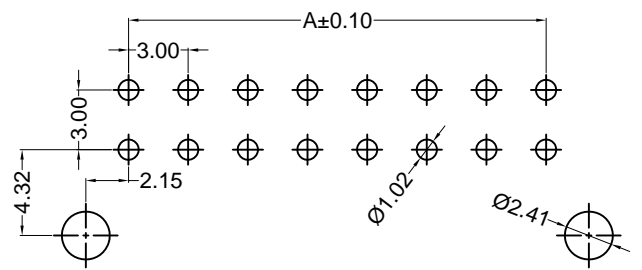
- Voltage rating: 250V AC / DC
- Current rating: 5A AC / DC
- Withstanding voltage: 1000V AC/minute
- Temperature range: -25°C~+85°C
- Insulation resistance: ≥1000MΩ
- Contact resistance: ≤10mΩ
- After environmental testing: ≤20mΩ

X3025 W R X- 2\*XX C-XX XX XX  
 ① ② ③ ④ ⑤ ⑥ ⑦ ⑧ ⑨

- ① Series No.
- ② Category: W-wafer
- ③ Welding Board Angle: R-90°
- ④ Welding Way: Blank-DIP
- ⑤ Row No.-Pin No.: 2\*XX-2\*01P~2\*12P
- ⑥ Special NO. : C-The harpoon
- ⑦ Material:  
 46-PA46 94V-0 66-PA66 94V-0 LP-LCP 94V-0
- ⑧ Planting Category:  
 G\*\*:-Gold-Plated Contact \*02-2u"  
 SN-Bright tin plating 70u"
- ⑨ Color: Blank-natural color



Poles	Dimensions (mm)	
	A	B
2*01	---	6.65
2*02	3.00	9.65
2*03	6.00	12.65
2*04	9.00	15.65
2*05	12.00	18.65
2*06	15.00	21.65
2*07	18.00	24.65
2*08	21.00	27.65
2*09	24.00	30.65
2*10	27.00	33.65
2*11	30.00	36.65
2*12	33.00	39.65



Recommended P.C.B Layout  
 General Tolerance±0.05

Scale 1:3

△	X3025WR-2*XXC-66G02	Nylon 66 UL 94V-0	Brass	Gold Flash	X3025H
	X3025WR-2*XXC-LPSN	LCP UL 94V-0		Tin-Plated	
	X3025WR-2*XXC-46SN	Nylon 46 UL 94V-0			
	X3025WR-2*XXC-66SN	Nylon 66 UL 94V-0			
	Part No.	Material	Material(Pin)	Finish(Pin)	Mates WithXKB Housing

For and on behalf of  
**XKB INDUSTRIAL PRECISION CO., LIMITED**  
 香港星坤工業精密有限公司

△ X						ANGULAR	± 5°
△ X						L ≤ 4	± 0.2
△ X						4 < L ≤ 16	± 0.3
MARK						16 < L ≤ 63	± 0.4
						L > 63	± 0.5
						UNSPECIFIED TOLERANCES	

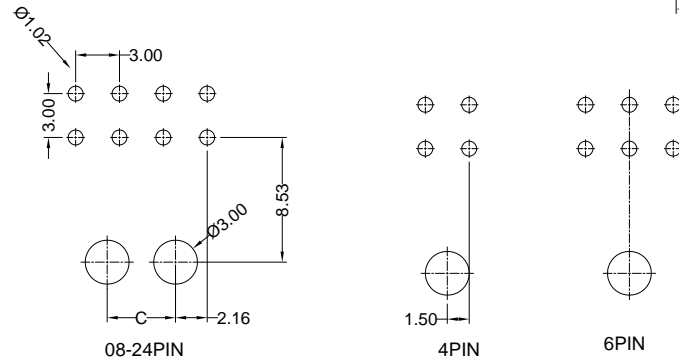
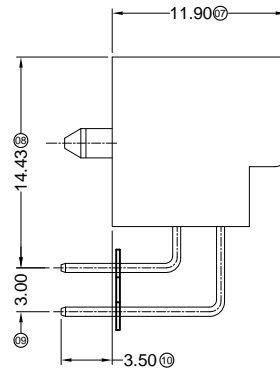
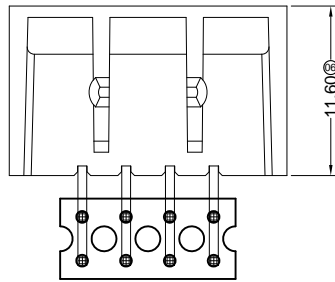
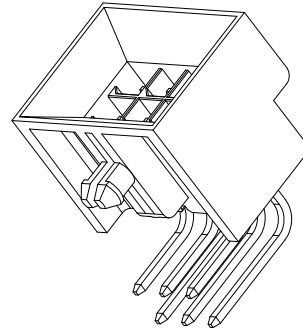
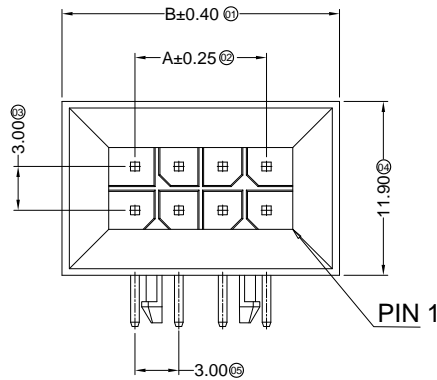
DSND		DATE		SCALE: N/A	MODEL TYPE: X3025WR-2*XXC-XXXX
DWN		DATE		VIEW:	PART NO.:
CHKD		DATE		UNIT: mm	3.00 mm Crimp Style Connectors
APPD		DATE		SIZE: A4	DWG NO.:
					WEIGHT 1.0g
					SHEET 1/1
					REVISION A0

Authorized Signature(s)

**XKB INDUSTRIAL PRECISION CO., LIMITED**

1 2 3 4 5 6 7 8





PCB LAYOUT: Component side

### Specifications :

- Voltage rating: 250V AC / DC
- Current rating: 5A AC / DC
- Withstanding voltage: 1500V AC/minute
- Temperature range: -25°C~+85°C
- Insulation resistance: ≥1000MΩ
- Contact resistance: ≤10mΩ
- After environmental testing: ≤20mΩ

X3025 W R X- 2\*XX H-LP SN XX

- ① Series No.
- ② Category: W-wafer
- ③ Welding Board Angle: R-90°
- ④ Welding Way: Blank-DIP
- ⑤ Row No.-Pin No.: 2\*XX-2\*01P~2\*12P
- ⑥ Special NO.: H-With Base and positioning column
- ⑦ Material: **LP-LCP 94V-0**
- ⑧ Planting Category: SN-Bright tin plating
- ⑨ Color: Blank-natural color

Poles	Dimensions (mm)			Poles	Dimensions (mm)		
	A	B	C		A	B	C
2*02	3.00	13.00		2*08	21.00	31.00	16.68
2*03	6.00	16.00		2*09	24.00	34.00	19.68
2*04	9.00	19.00	4.68	2*10	27.00	37.00	22.68
2*05	12.00	22.00	7.68	2*11	30.00	40.00	25.68
2*06	15.00	25.00	10.68	2*12	33.00	43.00	28.68
2*07	18.00	28.00	13.68				

X3025WR-2*XXH-LPSN	LCP UL 94V-0	Brass	Tin-Plated	X3025H
Part No.	Material	Material(Pin)	Finish(Pin)	Mates With XKB Housing

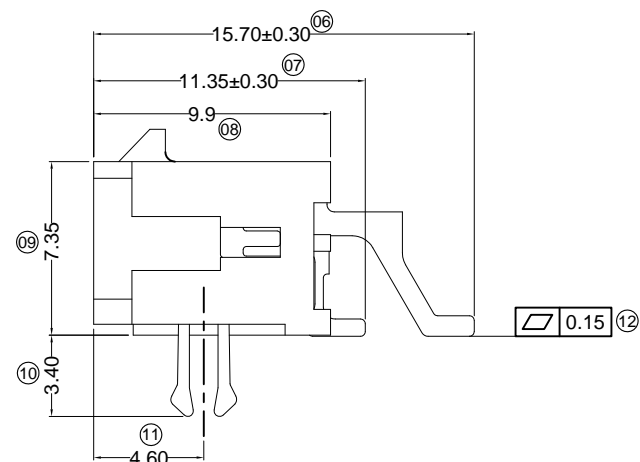
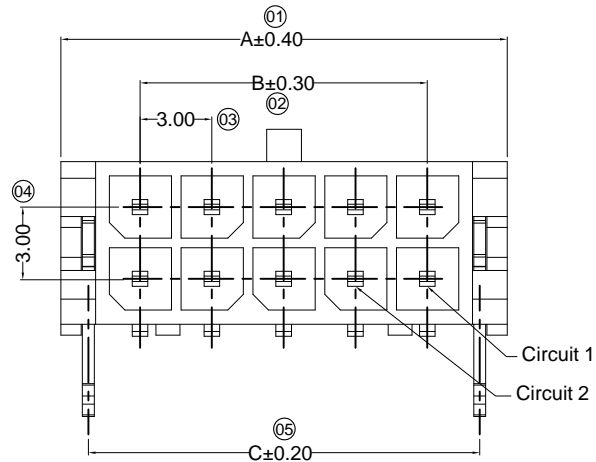
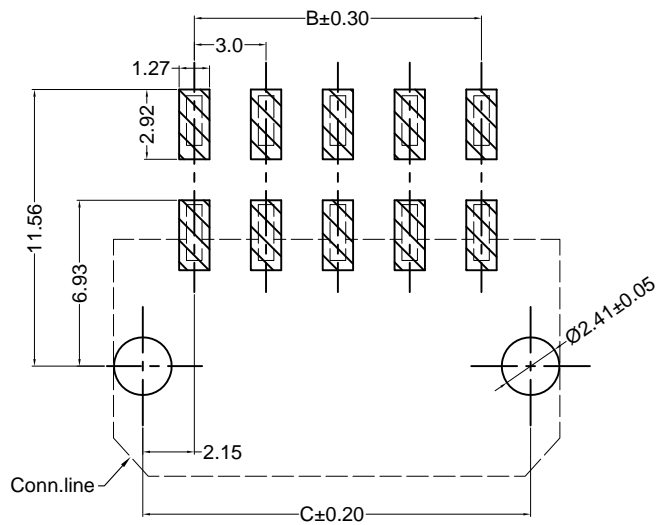
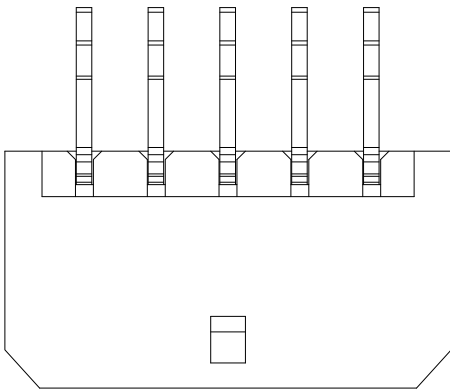
For and on behalf of  
**XKB INDUSTRIAL PRECISION CO., LIMITED**  
 香港星坤工業精密有限公司

MARK	DESCRIPTION	DATE	REVISED	APPROVED	UNSPECIFIED TOLERANCES
△ X					ANGULAR ±5°
△ X					L ≤ 4 ±0.2
△ X					4 < L ≤ 16 ±0.3
					16 < L ≤ 63 ±0.4
					L > 63 ±0.5

DSND	DATE	SCALE: N/A	MODEL TYPE: X3025WR-2*XXH-LPSN
DWN	DATE	VIEW:	PART NO.:
CHKD	DATE	UNIT: mm	3.00 mm Crimp Style Connectors
APPD	DATE	SIZE: A4	DWG NO.:
			WEIGHT 1.0g
			SHEET 1/1
			REVISION A0

Authorized Signature(s)

**XKB INDUSTRIAL PRECISION CO., LIMITED**



- Specifications :**
- Voltage rating: 250V AC / DC
  - Current rating: 5A AC / DC
  - Withstanding voltage: 1000V AC/minute
  - Temperature range: -25°C~+85°C
  - Insulation resistance: ≥1000MΩ
  - Contact resistance: ≤10mΩ
  - After environmental testing: ≤20mΩ

X3025 W R S- 2\*XX C-XX XX XX  
 ① ② ③ ④ ⑤ ⑥ ⑦ ⑧ ⑨

- ① Series No.
- ② Category: W-wafer
- ③ Welding Board Angle: R-90°
- ④ Welding Way: S-SMT
- ⑤ Row No.-Pin No.: 2\*XX-Double row
- ⑥ Special NO.: C-The harpoon
- ⑦ Material: **LP-LCP 94V-0**
- ⑧ Planting Category: SN-Bright tin plating 70u" SW-Fog Tin plating
- ⑨ Color: Blank-natural color

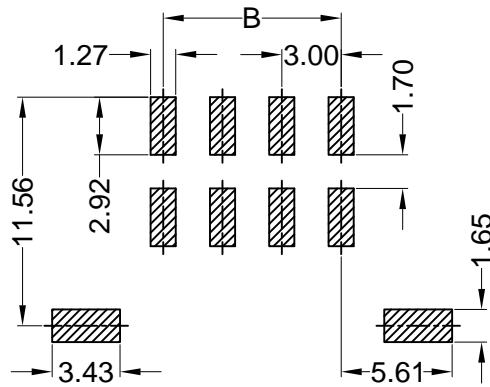
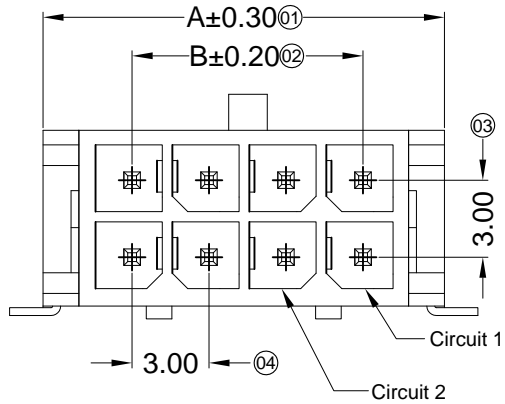
Poles	Dimensions(mm)		
	A	B	C
02	6.65	---	4.20
04	9.65	3.00	7.20
06	12.65	6.00	10.20
08	15.65	9.00	13.20
10	18.65	12.00	16.20
12	21.65	15.00	19.20
14	24.65	18.00	22.20
16	27.65	21.00	25.20
18	30.65	24.00	28.20
20	33.65	27.00	31.20
22	36.65	30.00	34.20
24	39.65	33.00	37.20

X3025WRS-2*XXC-LPSW	LCP UL 94V-0	Brass	Ni:50u"Min; Sn:120u"Min;	Brass	Matte Tin Plating	X3025H
X3025WRS-2*XXC-LPSN	PA66 UL 94V-0				Tin-Plated	
X3025WRS-2*XXC-N0SN	PA66 UL 94V-0					
PART NO	Material	Material(Pin)	Finish(Pin)	Material (Solder Tabs)	Finish (Solder Tabs)	Mates With XKB Housing

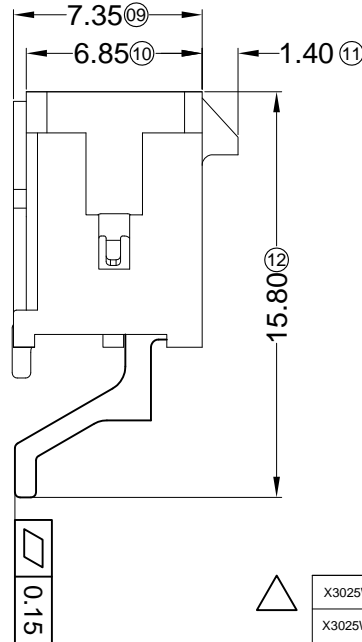
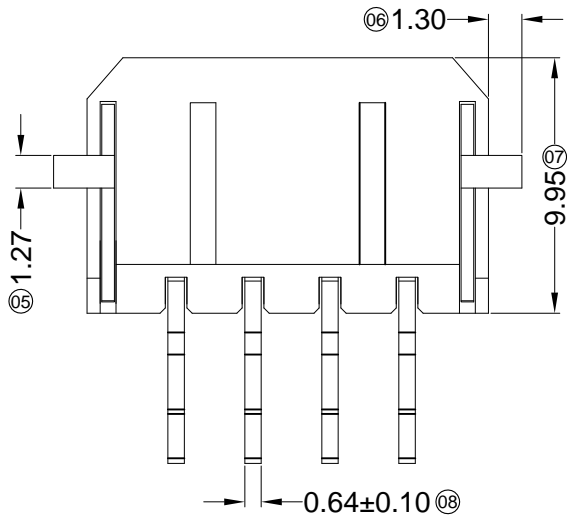
For and on behalf of  
**XKB INDUSTRIAL PRECISION CO., LIMITED**  
 香港星坤工業精密有限公司

△ X					ANGULAR	±5°
△ X					L ≤ 4	±0.2
△ X					4 < L ≤ 16	±0.3
△ X					16 < L ≤ 63	±0.4
MARK	DESCRIPTION	DATE	REVISED	APPROVED	L > 63	±0.5
REVISIONS						UNSPECIFIED TOLERANCES

DSND	DATE	SCALE: N/A	MODEL TYPE:
DWN	DATE	VIEW:	X3025WRS-2*XXC-XXXX
CHKD	DATE	UNIT: mm	PART NO.:
APPD	DATE	SIZE: A4	3.00 mm Crimp Style Connectors
			DWG NO.:
XKB INDUSTRIAL PRECISION CO., LIMITED		WEIGHT	SHEET
		1.0g	1/1
		REVISION	A0



Recommended P.C.B Layout  
General Tolerance±0.05



■ Specifications :

- Voltage rating: 250V AC / DC
- Current rating: 5A AC / DC
- Withstanding voltage: 1000V AC/minute
- Temperature range: -25°C~+85°C
- Insulation resistance: ≥1000MΩ
- Contact resistance: ≤10mΩ
- After environmental testing: ≤20mΩ

X3025 W R S-2\*XX D -LP XX XX

① ② ③ ④ ⑤ ⑥ ⑦ ⑧ ⑨

- ① Series No.
- ② Category: W-WAFER
- ③ Welding Board Angle: R-Straight 180°
- ④ Welding Way: S-SMT
- ⑤ Row No.-Pin No.: 2\*XX-2\*02P~2\*22P
- ⑥ Plug the Pin & Special No.: D-With Solder Tabs
- ⑦ Material: LP-LCP 94V-0
- ⑧ Plating Category: SN-Bright Tin Plating;  
G05-Contact Gold 5u"  
SW-Fog Tin plating
- ⑨ Color : Blank-Natural Color

Poles	Dimensions (mm)		Poles	Dimensions (mm)	
	A	B		A	B
2*01	6.65	---	2*07	24.65	18.00
2*02	9.65	3.00	2*08	27.65	21.00
2*03	12.65	6.00	2*09	30.65	24.00
2*04	15.65	9.00	2*10	33.65	27.00
2*05	18.65	12.00	2*11	36.65	30.00
2*06	21.65	15.00	2*12	39.65	33.00

X3025WRS-2*XXD-LPSW			Matte tin			
X3025WRS-2*XXD-LPG05	LCP UL 94V-0	Brass	Ni:50u"Min;Sn:120u"Min; Contact Area Gold:5u" Min.	Brass	Tin-Plated	X3025H
X3025WRS-2*XXD-LPSN			Tin-Plated			
PART NO	Material	Material(Pin)	Finish(Pin)	Material (Solder Tabs)	Finish (Solder Tabs)	Mates With XKB Housing

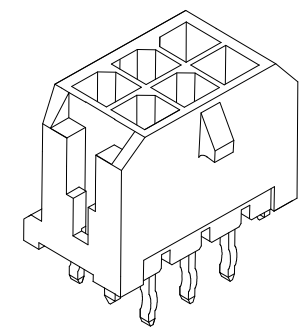
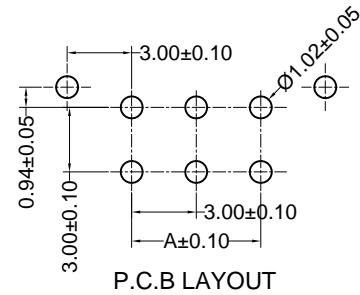
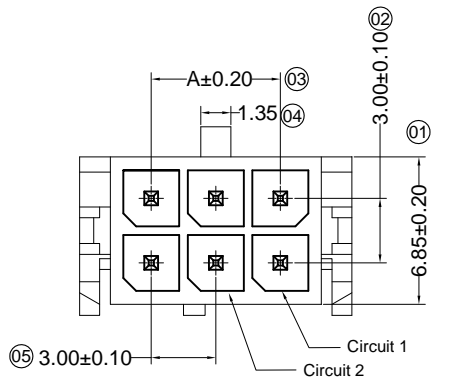
For and on behalf of  
**XKB INDUSTRIAL PRECISION CO., LIMITED**  
香港星坤工業精密有限公司

MARK	DESCRIPTION	DATE	REVISED	APPROVED	UNSPECIFIED TOLERANCES
△ X					ANGULAR ±5°
△ X					L ≤ 4 ±0.2
△ X					4 < L ≤ 16 ±0.3
△ X					16 < L ≤ 63 ±0.4
MARK					L > 63 ±0.5

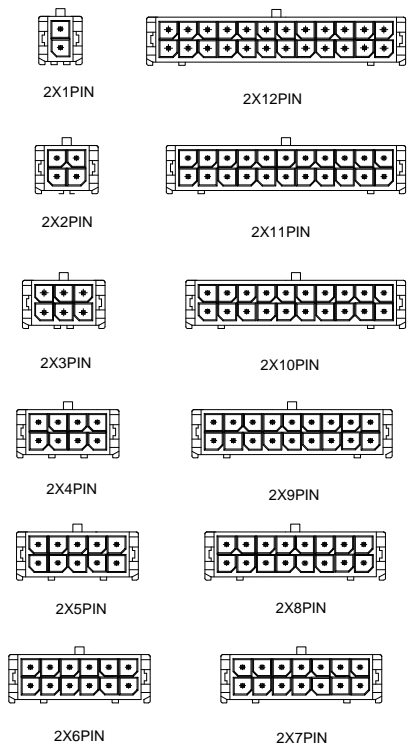
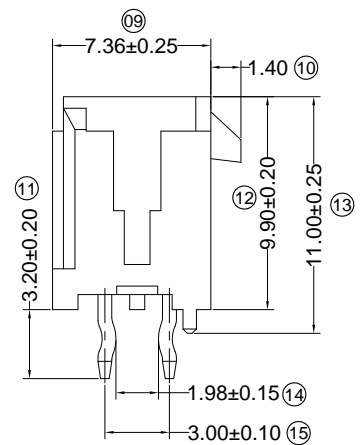
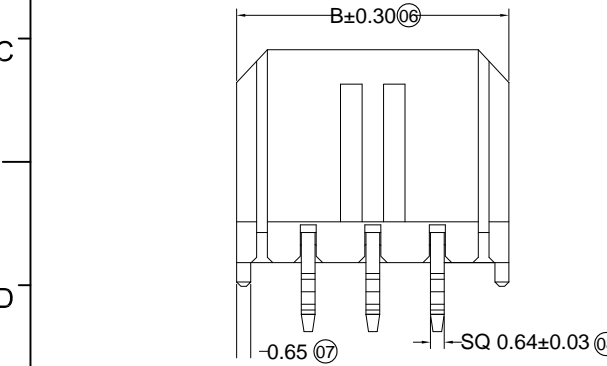
DSND		DATE		SCALE: N/A	MODEL TYPE: X3025WRS-2*XXD-XXXX
DWN		DATE		VIEW:	PART NO.:
CHKD		DATE		UNIT: mm	3.00 mm Crimp Style Connectors
APPD		DATE		SIZE: A4	DWG NO.:
					WEIGHT 1.0g
					SHEET 1/1
					REVISION A0

Authorized Signature(s)

XKB INDUSTRIAL PRECISION CO., LIMITED



- Specifications :**
- Voltage rating: 250V AC / DC
  - Current rating: 5A AC / DC
  - Withstanding voltage: 1000V AC/minute
  - Temperature range: -25°C~+85°C
  - Insulation resistance: ≥1000MΩ
  - Contact resistance: ≤10mΩ
  - After environmental testing: ≤20mΩ



X3025 W V X-2\*XX X-XX XX XX  
① ② ③ ④ ⑤ ⑥ ⑦ ⑧ ⑨

- ① Series No.
- ② Category: W-WAFER
- ③ Welding Board Angle: V-Straight 180°
- ④ Welding Way: Blank-DIP
- ⑤ Row No.-Pin No.: 2\*XX-2\*01P~2\*22P
- ⑥ Plug the Pin & Special No.:
- ⑦ Material: 66-PA66 94V-0;PT-PBT 94V-0;  
**46-PA46 94V-0 LP-LCP 94V-0**
- ⑧ Plating Category: SN-Bright Tin Plating;  
V01-All Gold Flash
- ⑨ Color : Blank-Natural Color

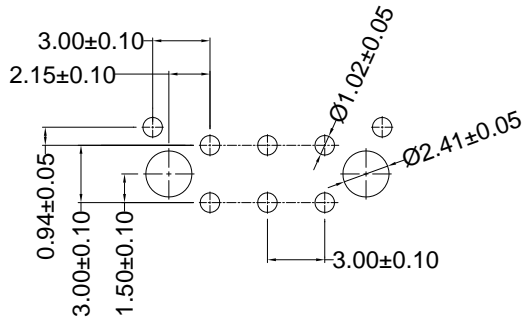
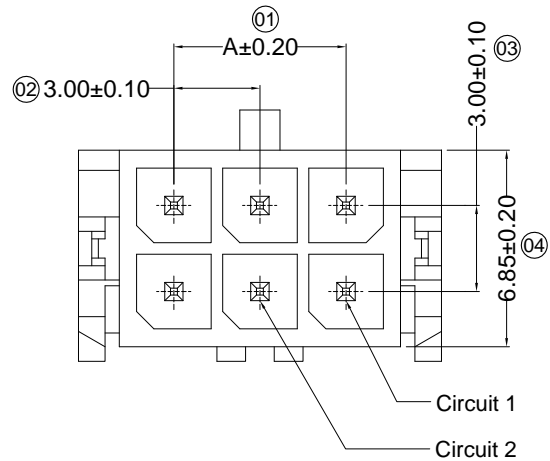
X3025WV-2*XX-46V01	PA46 UL 94V-0	Brass	Gold-Flash	X3025H
X3025WV-2*XX-LPSN	LCP UL 94V-0		Tin-Plated	
X025WV-2*XX-66SN	PA66 UL 94V-0			
X3025WV-2*XX-46SN	PA46 UL 94V-0			
X3025WV-2*XX-PTSN	PBT UL 94V-0			
PART NO	Material	Material(Pin)	Finish(Pin)	Mates With XKB Housing

Poles	Dimensions (mm)		Poles	Dimensions (mm)	
	A	B		A	B
2*01	---	6.65	2*07	18.00	24.65
2*02	3.00	9.65	2*08	21.00	27.65
2*03	6.00	12.65	2*09	24.00	30.65
2*04	9.00	15.65	2*10	27.00	33.65
2*05	12.00	18.65	2*11	30.00	36.65
2*06	15.00	21.65	2*12	33.00	39.65

For and on behalf of  
**XKB INDUSTRIAL PRECISION CO., LIMITED**  
香港星坤工業精密有限公司

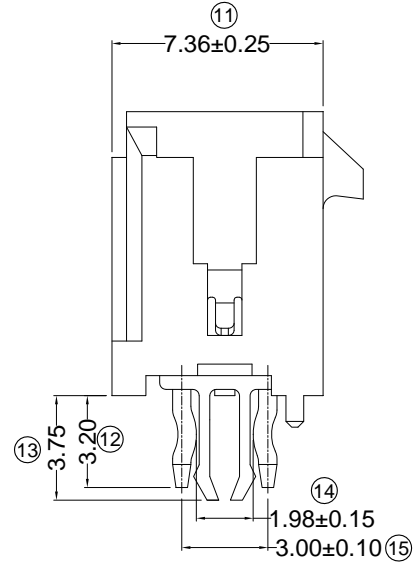
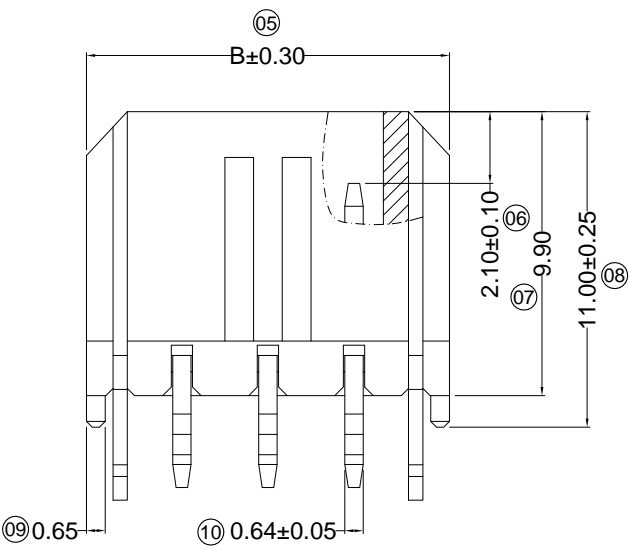
△ X						ANGULAR	±5°
△ X						L ≤ 4	±0.2
△ X						4 < L ≤ 16	±0.3
△ X						16 < L ≤ 63	±0.4
MARK						L > 63	±0.5
	DESCRIPTION	DATE	REVISED	APPROVED		UNSPECIFIED TOLERANCES	

DSND		DATE		SCALE: N/A	MODEL TYPE: X3025WV-2*XX-XXXX
DWN		DATE		VIEW:	PART NO.:
CHKD		DATE		UNIT: mm	3.00 mm Crimp Style Connectors
APPD		DATE		SIZE: A4	DWG NO.:
					WEIGHT 1.0g
					SHEET 1/1
					REVISION A0



P.C.B LAYOUT

- Specifications :**
- Voltage rating: 250V AC / DC
  - Current rating: 5A AC / DC
  - Withstanding voltage: 1000V AC/minute
  - Temperature range: -25°C~+85°C
  - Insulation resistance: ≥1000MΩ
  - Contact resistance: ≤10mΩ
  - After environmental testing: ≤20mΩ



X3025 W V X-2\*XX C-XX XX XX  
 01 02 03 04 05 06 07 08 09

- 01 Series No.
- 02 Category: W-wafer
- 03 Welding Board Angle: V-180°
- 04 Welding Way: Blank-DIP
- 05 Row No.-Pin No. 2\*XX-Double row
- 06 Special NO. C-The harpoon
- 07 Material: LP-LCP 94V-0 N0-PA9T 94V-0 46-PA46 94V-0
- 08 Planting Category: V\*\*:All Gold-Plated  
 \*01-Gold Flash ; \*02-2u" ; \*03-3u" ; \*05-5u"  
 \*10-10u" ; \*15-15u" ; \*30-30u" ; \*50-50u"  
 SN-Bright tin plating 70u"  
 SN1-Bright tin plating 120u"Min. ;  
 SW-Fog Tin plating
- 09 Color: Blank-natural color

Poles	Dimensions (mm)	
	A	B
02	--	6.65
04	3.00	9.65
06	6.00	12.65
08	9.00	15.65
10	12.00	18.65
12	15.00	21.65
14	18.00	24.65
16	21.00	27.65
18	24.00	30.65
20	27.00	33.65
22	30.00	36.65
24	33.00	39.65

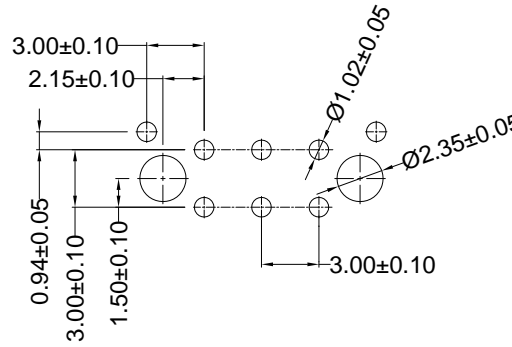
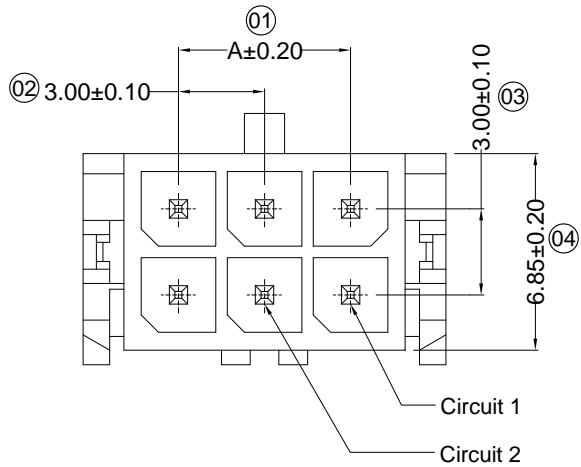
X3025WV-2*XXC-LPSW	LCP UL 94V-0	Brass	Tin Plating Fog	X3025H
X3025WV-2*XXC-46SN	PA46 UL 94V-0			
PART NO	Material	Material(Pin)	Finish(Pin)	Mates WithXKB Housing

For and on behalf of  
**XKB INDUSTRIAL PRECISION CO., LIMITED**  
 香港星坤工業精密有限公司

MARK	DESCRIPTION	DATE	REVISED	APPROVED	UNSPECIFIED TOLERANCES
△ X					ANGULAR ±5°
△ X					L ≤ 4 ±0.2
△ X					4 < L ≤ 16 ±0.3
△ X					16 < L ≤ 63 ±0.4
MARK					L > 63 ±0.5

DSND	DATE	SCALE: N/A	MODEL TYPE: X3025WV-2*XXC-46SN
DWN	DATE	VIEW:	PART NO.:
CHKD	DATE	UNIT: mm	3.00 mm Crimp Style Connectors
APPD	DATE	SIZE: A4	DWG NO.:
XKB INDUSTRIAL PRECISION CO., LIMITED		WEIGHT 1.0g	SHEET 1/1
		REVISION A0	

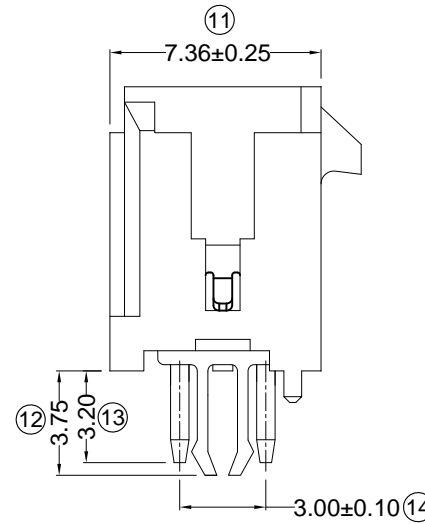
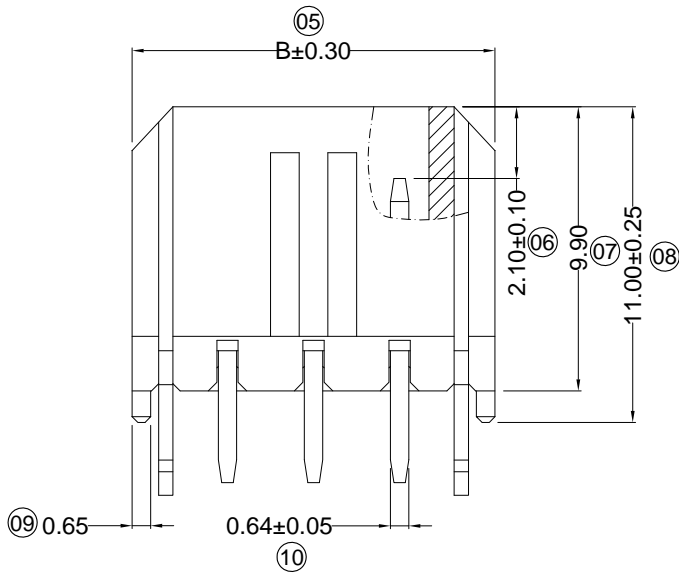
Authorized Signature(s)



P.C.B LAYOUT

**Specifications :**

- Voltage rating: 250V AC / DC
- Current rating: 5A AC / DC
- Withstanding voltage: 1000V AC/minute
- Temperature range: -25°C~+85°C
- Insulation resistance: ≥1000MΩ
- Contact resistance: ≤10mΩ
- After environmental testing: ≤20mΩ



X3025 W V X- 2\*XX CN-LP SN XX

① ② ③ ④ ⑤ ⑥ ⑦ ⑧ ⑨

- ① Series No.
- ② Category:  
W-wafer
- ③ Welding Board Angle:  
V-180°
- ④ Welding Way:  
Blank-DIP
- ⑤ Row No.-Pin No.  
2\*XX-Double row
- ⑥ Special NO.  
C-The harpoon N-without K the feet
- ⑦ Material:  
**LP-LCP 94V-0**
- ⑧ Planting Category:  
V\*\*:All Gold-Plated  
\*01-Gold Flash ; \*02-2u" ; \*03-3u" ; \*05-5u"  
\*10-10u" ; \*15-15u" ; \*30-30u" ; \*50-50u"  
SN-Bright tin plating 70u"  
SN1-Bright tin plating 120u"Min. ;  
SW-Fog Tin plating
- ⑨ Color:  
Blank-natural color

Poles	Dimensions (mm)	
	A	B
02	--	6.65
04	3.00	9.65
06	6.00	12.65
08	9.00	15.65
10	12.00	18.65
12	15.00	21.65
14	18.00	24.65
16	21.00	27.65
18	24.00	30.65
20	27.00	33.65
22	30.00	36.65
24	33.00	39.65

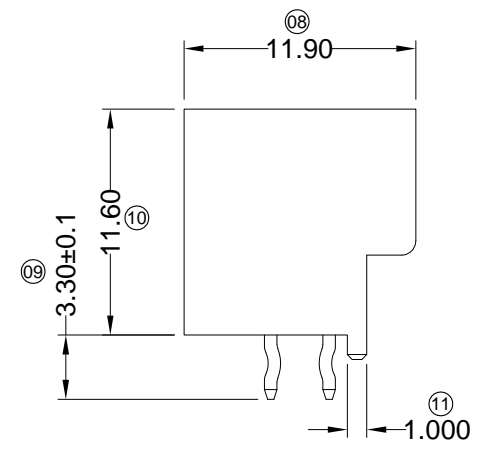
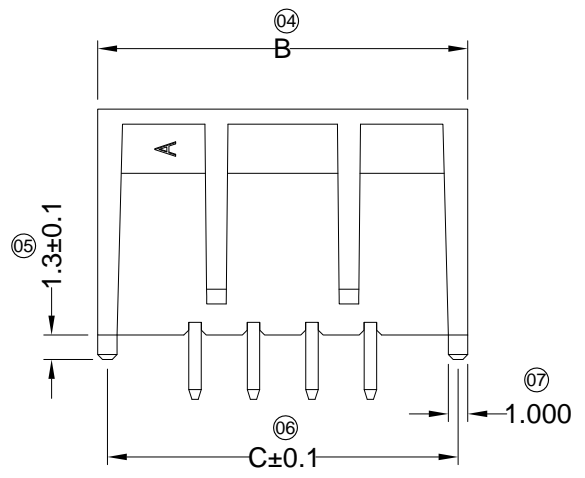
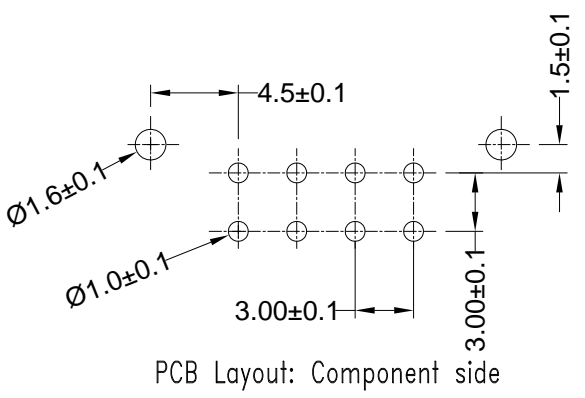
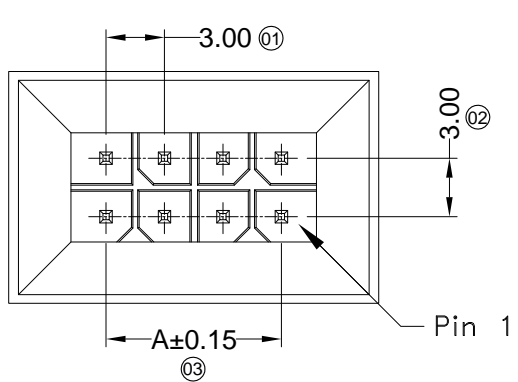
X3025WV-2*XXCN-LPSN	LCP UL 94V-0	Brass	Tin-Plated	X3025H
PART NO	Material	Material(Pin)	Finish(Pin)	Mates With XKB Housing

For and on behalf of  
**XKB INDUSTRIAL PRECISION CO., LIMITED**  
 香港星坤工業精密有限公司

MARK	DESCRIPTION	DATE	REVISED	APPROVED	UNSPECIFIED TOLERANCES
△ X					ANGULAR ±5°
△ X					L ≤ 4 ±0.2
△ X					4 < L ≤ 16 ±0.3
					16 < L ≤ 63 ±0.4
					L > 63 ±0.5

DSND	DATE	SCALE: N/A	MODEL TYPE: X3025WV-2*XXCN-LPSN
DWN	DATE	VIEW:	PART NO.:
CHKD	DATE	UNIT: mm	3.00 mm Crimp Style Connectors
APPD	DATE	SIZE: A4	DWG NO.:
XKB INDUSTRIAL PRECISION CO., LIMITED			WEIGHT 1.0g
			SHEET 1/1
			REVISION A0

Authorized Signature(s)



- Specifications :**
- Voltage rating: 250V AC / DC
  - Current rating: 5A AC / DC
  - Withstanding voltage: 1000V AC/minute
  - Temperature range: -25°C~+85°C
  - Insulation resistance: ≥1000MΩ
  - Contact resistance: ≤10mΩ
  - After environmental testing: ≤20mΩ

X3025W V X- 2\*XXH-LPSNXX

- ① Series No.
- ② Category: W-wafer
- ③ Welding Board Angle: V-180°
- ④ Welding Way: Blank-DIP
- ⑤ Row No.-Pin No. 2\*XX-Double row
- ⑥ Special NO. H-Arrange ushering with positioning column
- ⑦ Material: LP-LCP 94V-0
- ⑧ Planting Category:
  - V\*\* :All Gold-Plated
  - G\*\* :Gold-Plated Contact
  - \*01-Gold Flash ; \*02-2u" ; \*03-3u" ; \*05-5u" ; \*10-10u" ; \*15-15u" ; \*30-30u" ; \*50-50u"
  - SN-Bright tin plating 70u"
  - SN1-Bright tin plating 120u"Min. ;
  - SW-Fog Tin plating
- ⑨ Color: Blank-natural color

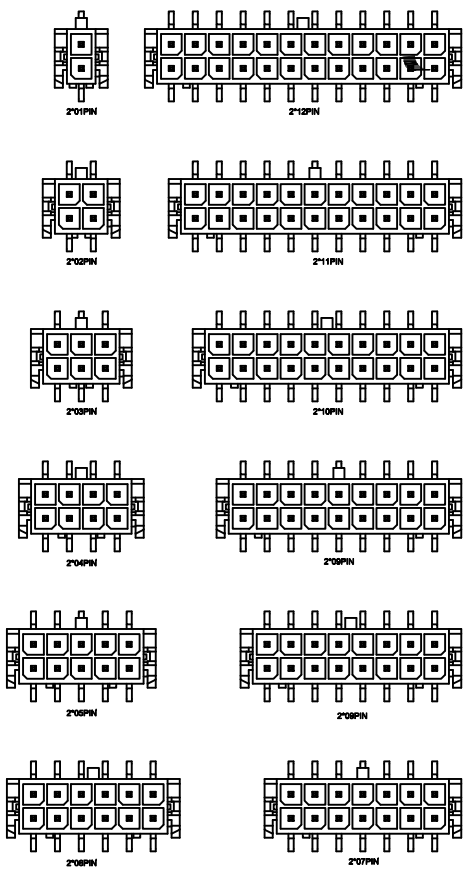
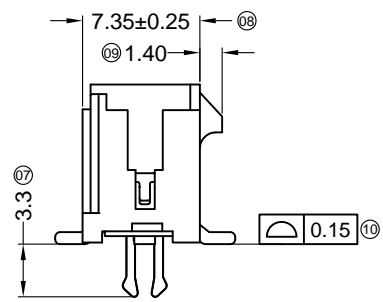
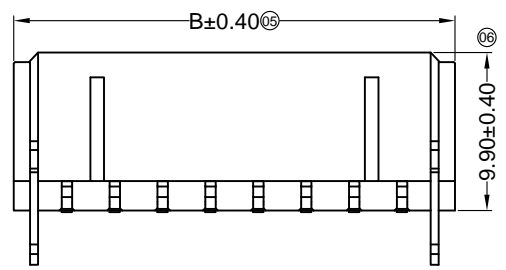
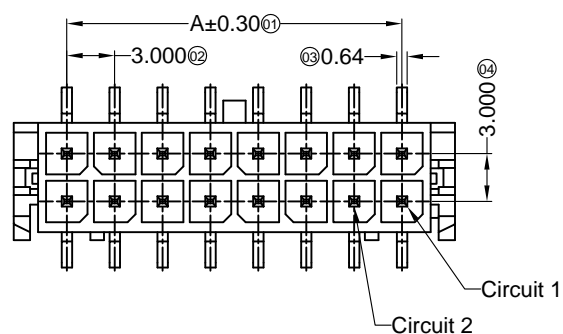
Poles	Dimensions (mm)		
	A	B	C
04	3.00	13.00	12.00
06	6.00	16.00	15.00
08	9.00	19.00	18.00
10	12.00	22.00	21.00
12	15.00	25.00	24.00
14	18.00	28.00	27.00
16	21.00	31.00	30.00
18	24.00	34.00	33.00
20	27.00	37.00	36.00
22	30.00	40.00	39.00
24	33.00	43.00	42.00

X3025WV-2*XXH-LPSN	LCP UL 94V-0	Brass	Tin-Plated	X3025H
Part No.	Material	Material(Pin)	Finish(Pin)	Mates With XKB Housing

For and on behalf of  
**XKB INDUSTRIAL PRECISION CO., LIMITED**  
 香港星坤工業精密有限公司

MARK	DESCRIPTION	DATE	REVISED	APPROVED	UNSPECIFIED TOLERANCES
△ X					ANGULAR ±5°
△ X					L ≤ 4 ±0.2
△ X					4 < L ≤ 16 ±0.3
					16 < L ≤ 63 ±0.4
					L > 63 ±0.5

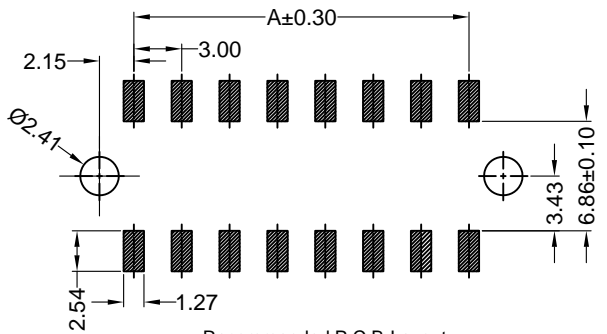
DSND	DATE	SCALE: N/A	MODEL TYPE: X3025WV-2*XXH-LPSN
DWN	DATE	VIEW:	PART NO.: 3.00 mm Crimp Style Connectors
CHKD	DATE	UNIT: mm	DWG NO.:
APPD	DATE	SIZE: A4	
XKB INDUSTRIAL PRECISION CO., LIMITED			WEIGHT 1.0g
			SHEET 1/1
			REVISION A0



- Specifications :**
- Voltage rating: 250V AC / DC
  - Current rating: 5A AC / DC
  - Withstanding voltage: 1000V AC/minute
  - Temperature range: -25°C~+85°C
  - Insulation resistance: ≥1000MΩ
  - Contact resistance: ≤10mΩ
  - After environmental testing: ≤20mΩ

X3025 W V S-2\*XX C-LP XX XX  
 ① ② ③ ④ ⑤ ⑥ ⑦ ⑧ ⑨

- ① Series No.
- ② Category: W-wafer
- ③ Welding Board Angle: V- Stright 180°
- ④ Welding Way: S-SMT
- ⑤ Row No.-Pin No.: 2\*XX-2\*01P~2\*12P
- ⑥ Plug the Pin & Special No.: C-The Harpoon
- ⑦ Material: **LP-LCP 94V-0**
- ⑧ Planting Category:  
SN-Bright tin plating ; SW-Matte Tin plating
- ⑨ Color: Blank-Natural color



Recommended P.C.B Layout  
 General Tolerance±0.05

Poles	Dimensions(mm)		Poles	Dimensions(mm)	
	A	B		A	B
2*01	---	6.65	2*07	18.00	24.65
2*02	3.00	9.65	2*08	21.00	27.65
2*03	6.00	12.65	2*09	24.00	30.65
2*04	9.00	15.65	2*10	27.00	33.65
2*05	12.00	18.65	2*11	30.00	36.65
2*06	15.00	21.65	2*12	33.00	39.65

△	X3025WVS-2*XXC-LPSW	LCP	UL 94V-0	Brass	Matte tin	Brass	Matte tin	X3025H
	X3025WVS-2*XXC-LPSN	LCP	UL 94V-0		Tin-Plated		Tin-Plated	
	PART NO	Material	Material(Pin)	Finish(Pin)	Material (Solder Tabs)	Finish (Solder Tabs)	Mates With XKB Housing	

For and on behalf of  
**XKB INDUSTRIAL PRECISION CO., LIMITED**  
**香港星坤工業精密有限公司**

△ X					ANGULAR	± 5°
△ X					L ≤ 4	± 0.2
△ X					4 < L ≤ 16	± 0.3
MARK	DESCRIPTION	DATE	REVISED	APPROVED	16 < L ≤ 63	± 0.4
					L > 63	± 0.5
					UNSPECIFIED TOLERANCES	

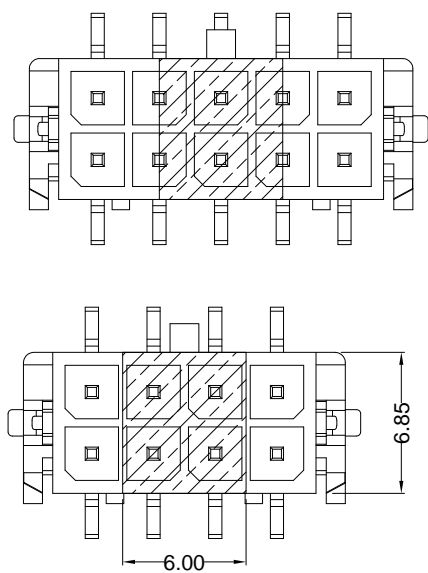
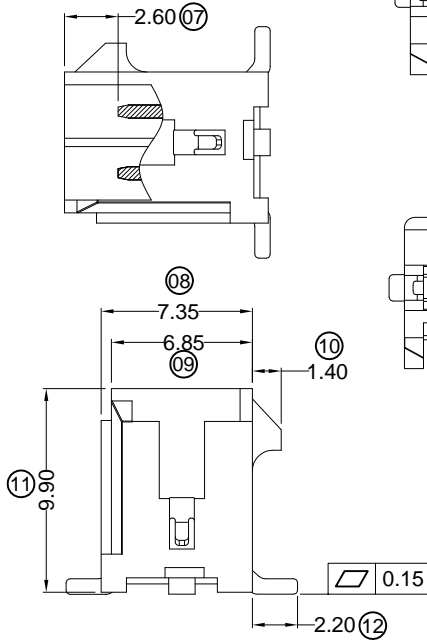
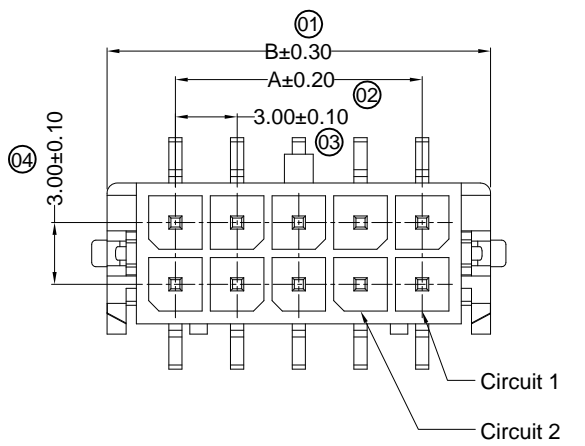
DSND		DATE		SCALE: N/A	MODEL TYPE: X3025WVS-2*XXC-LPSW
DWN		DATE		VIEW:	PART NO.:
CHKD		DATE		UNIT: mm	3.00 mm Crimp Style Connectors
APPD		DATE		SIZE: A4	DWG NO.:
					WEIGHT 1.0g
					SHEET 1/1
					REVISION A0

Authorized Signature(s)

**XKB INDUSTRIAL PRECISION CO., LIMITED**



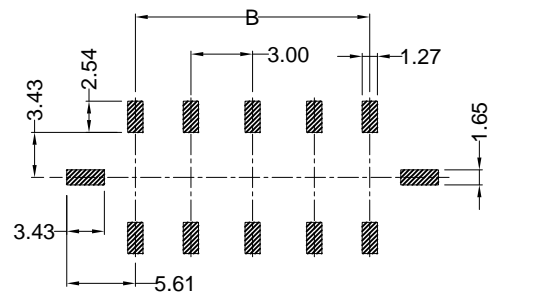
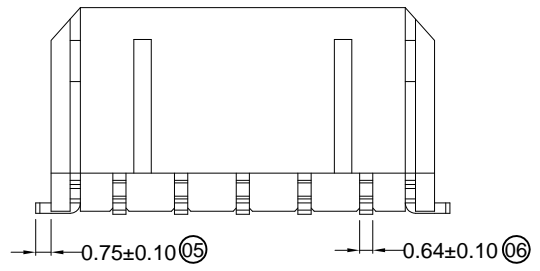
1 2 3 4 5 6 7 8



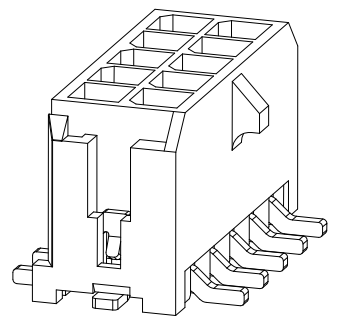
- Specifications :**
- Voltage rating: 250V AC / DC
  - Current rating: 5A AC / DC
  - Withstanding voltage: 1000V AC/minute
  - Temperature range: -25°C~+85°C
  - Insulation resistance: ≥1000MΩ
  - Contact resistance: ≤10mΩ
  - After environmental testing: ≤20mΩ

X3025 W V S-2\*XX D-LP XX XX  
 01 02 03 04 05 06 07 08 09

- 01 Series No.
- 02 Category: W-wafer
- 03 Welding Board Angle: V- Stright 180°
- 04 Welding Way: S-SMT
- 05 Row No.-Pin No.: 2\*XX-2\*01P~2\*12P
- 06 Plug the Pin & Special No.: D-Solder Tabs
- 07 Material: LP-LCP 94V-0
- 08 Planting Category:
- 09 SN-Bright tin plating ; SW-Matte Tin plating
- 10 Color: Blank-Natural color



P.C.B. LAYOUT



Poles	Dimensions(mm)		Poles	Dimensions(mm)	
	A	B		A	B
2*01	---	6.65	2*07	18.00	24.65
2*02	3.00	9.65	2*08	21.00	27.65
2*03	6.00	12.65	2*09	24.00	30.65
2*04	9.00	15.65	2*10	27.00	33.65
2*05	12.00	18.65	2*11	30.00	36.65
2*06	15.00	21.65	2*12	33.00	39.65

X3025WVS-2*XXD-LPSW	LCP UL 94V-0	Brass	Matte tin	Brass	Matte tin	X3025H
PART NO	Material	Material(Pin)	Finish(Pin)	Material (Solder Tabs)	Finish (Solder Tabs)	Mates With XKB Housing

For and on behalf of  
**XKB INDUSTRIAL PRECISION CO., LIMITED**  
 香港星坤工業精密有限公司

△ X					ANGULAR	± 5°
△ X					L ≤ 4	± 0.2
△ X					4 < L ≤ 16	± 0.3
△ X					16 < L ≤ 63	± 0.4
MARK	DESCRIPTION	DATE	REVISED	APPROVED	L > 63	± 0.5
REVISIONS						UNSPECIFIED TOLERANCES

DSND	DATE	SCALE: N/A	MODEL TYPE: X3025WVS-2*XXD-LPSW
DWN	DATE	VIEW:	PART NO.:
CHKD	DATE	UNIT: mm	3.00 mm Crimp Style Connectors
APPD	DATE	SIZE: A4	DWG NO.:
XKB INDUSTRIAL PRECISION CO., LIMITED			WEIGHT 1.0g
			SHEET 1/1
			REVISION A0

Authorized Signature(s)

1 2 3 4 5 6 7 8