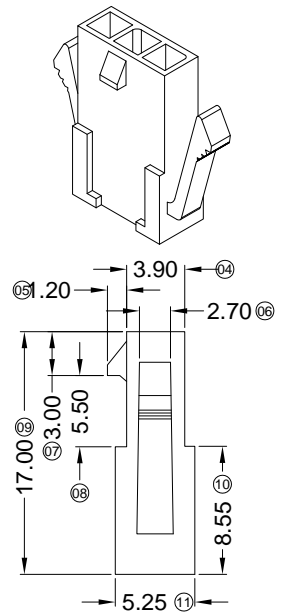
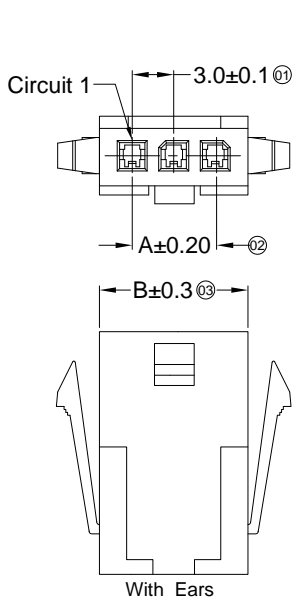


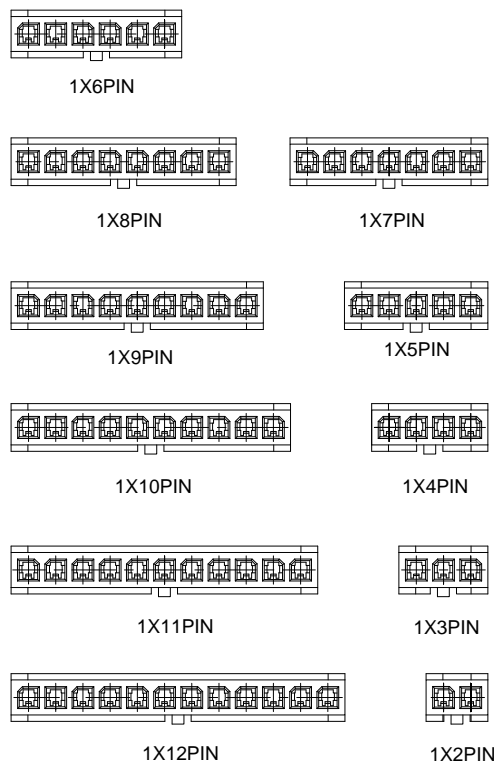
1 2 3 4 5 6 7 8



- Specifications :**
- Voltage rating: 250V AC / DC
  - Current rating: 5A AC / DC
  - Withstanding voltage: 1000V AC/minute
  - Temperature range: -40°C~+105°C
  - Insulation resistance: ≥1000MΩ
  - Contact resistance: ≤10mΩ
  - After environmental testing: ≤20mΩ

X3025 H F-XX XX-N2 XX  
 ① ② ③ ④ ⑤ ⑥ ⑦

- ① Series No.
- ② Category: H-HSG
- ③ Welding Board Angle: F-Female HSG
- ④ Row No.-Pin No.: XX-02P~12P
- ⑤ Plug the Pin & special No.: I-Without Ears  
G-With Ears
- ⑥ Material: N2-PA66 94V-2;
- ⑦ Color: Blank-Natural Color ; WH-White



Poles	Dimensions(mm)		Poles	Dimensions(mm)	
	A	B		A	B
02	3.00	6.90	08	21.00	24.90
03	6.00	9.90	09	24.00	27.90
04	9.00	12.90	10	27.00	30.90
05	12.00	15.90	11	30.00	33.90
06	15.00	18.90	12	33.00	36.90
07	18.00	21.90			

△	X3025HF-XXG-N2	Nylon 66 94V-2	Black	X3025TM	X3025HM	With Ears
	X3025HF-XXG-N2WH	Nylon 66 94V-2	White			
△	X3025HF-XXI-N2	Nylon 66 94V-2	Black	X3025TM	X3025HM	Without Ears
	X3025HF-XXI-N2WH	Nylon 66 94V-2	White			
	PART NO	Material	Color	Suitable XKB Terminal	Mates With XKB Housing	Note

For and on behalf of  
**XKB INDUSTRIAL PRECISION CO., LIMITED**  
 香港星坤工業精密有限公司

MARK	DESCRIPTION	DATE	REVISED	APPROVED	UNSPECIFIED TOLERANCES
△ X					ANGULAR ±5°
△ X					L ≤ 4 ±0.2
△ X					4 < L ≤ 16 ±0.3
△ X					16 < L ≤ 63 ±0.4
MARK					L > 63 ±0.5

DSND	DATE	SCALE: N/A	MODEL TYPE: X3025HF-XXX-N2
DWN	DATE	VIEW:	PART NO.:
CHKD	DATE	UNIT: mm	3.00 mm Crimp Style Connectors
APPD	DATE	SIZE: A4	DWG NO.:
			WEIGHT 1.0g
			SHEET 1/1
			REVISION A0

REVISIONS  
 Authorized Signature(s)

1 2 3 4 5 6 7 8

1 2 3 4 5 6 7 8

A

B

C

D

E

F

A

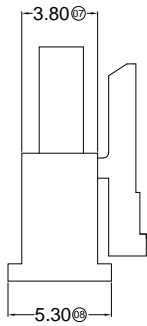
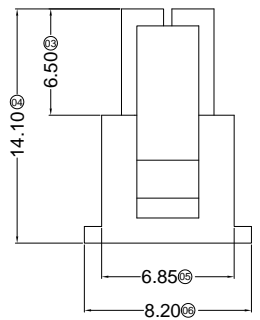
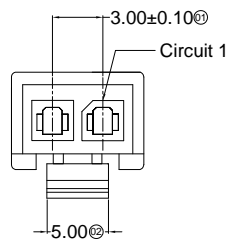
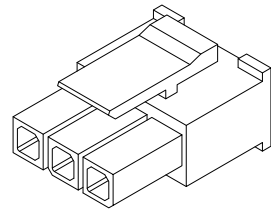
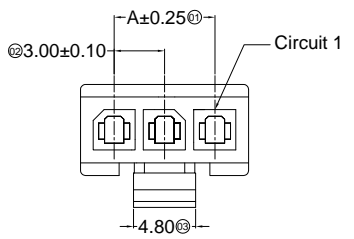
B

C

D

E

F



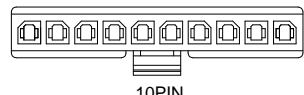
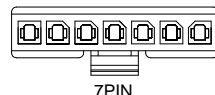
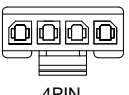
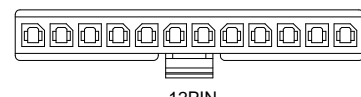
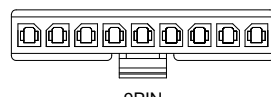
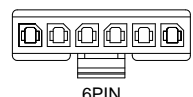
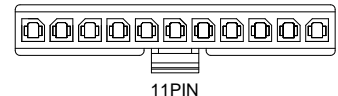
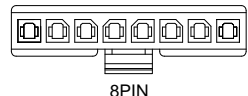
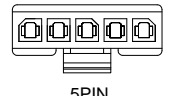
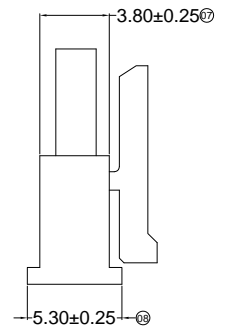
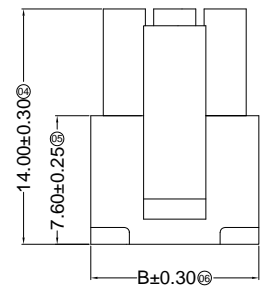
**Specifications :**

- Voltage rating: 250V AC / DC
- Current rating: 5A AC / DC
- Withstanding voltage: 1000V AC/minute
- Temperature range: -40°C~+105°C
- Insulation resistance: ≥1000MΩ
- Contact resistance: ≤10mΩ
- After environmental testing: ≤20mΩ

X3025 H M-XX X-N2 XX

① ②③④ ⑤⑥ ⑦

- ① Series No.
- ② Category: H-HSG
- ③ Welding Board Angle: M-Male HGS
- ④ Row No.-Pin No.: XX-02P~12P
- ⑤ Plug the Pin & special No.
- ⑥ Material: N2-PA66 94V-2
- ⑦ Color: Blank-Natural Color



Poles	Dimensions (mm)		Poles	Dimensions (mm)	
	A	B		A	B
03	6.00	9.85	08	21.00	24.85
04	9.00	12.85	09	24.00	27.85
05	12.00	15.85	10	27.00	30.85
06	15.00	18.85	11	30.00	33.85
07	18.00	21.85	12	33.00	36.85

X3025HM-XX-N2	Nylon 66 94V-2	X3025TF	X3025W
PART NO	Material	Suitable XKB Terminal	Mates With XKB Wafer

For and on behalf of  
**XKB INDUSTRIAL PRECISION CO., LIMITED**  
 香港星坤工業精密有限公司

△ X					ANGULAR	±5°
△ X					L ≤ 4	±0.2
△ X					4 < L ≤ 16	±0.3
△ X					16 < L ≤ 63	±0.4
MARK	DESCRIPTION	DATE	REVISED	APPROVED	L > 63	±0.5
	REVISIONS				UNSPECIFIED TOLERANCES	

DSND	DATE	SCALE: N/A	MODEL TYPE:
DWN	DATE	VIEW:	X3025HM-XX-N2
CHKD	DATE	UNIT: mm	PART NO.:
APPD	DATE	SIZE: A4	3.00 mm Crimp Style Connectors
			DWG NO.:
			WEIGHT
			1.0g
			SHEET
			1/1
			REVISION
			A0

Authorized Signature(s)

**XKB INDUSTRIAL PRECISION CO., LIMITED**

1 2 3 4 5 6 7 8

1 2 3 4 5 6 7 8

A

B

C

D

E

F

A

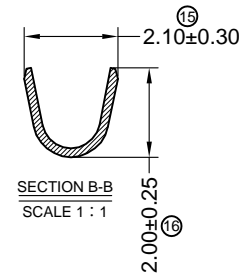
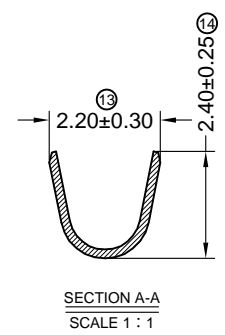
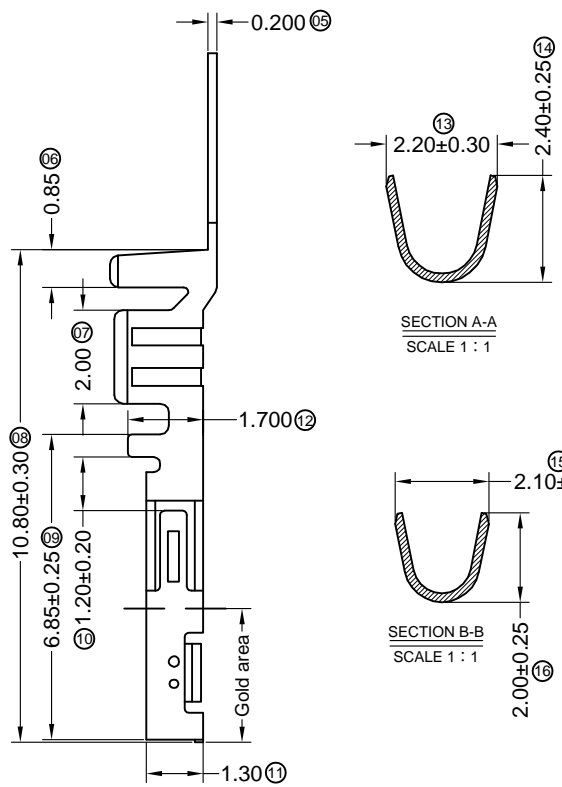
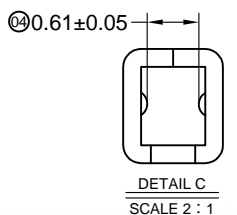
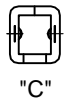
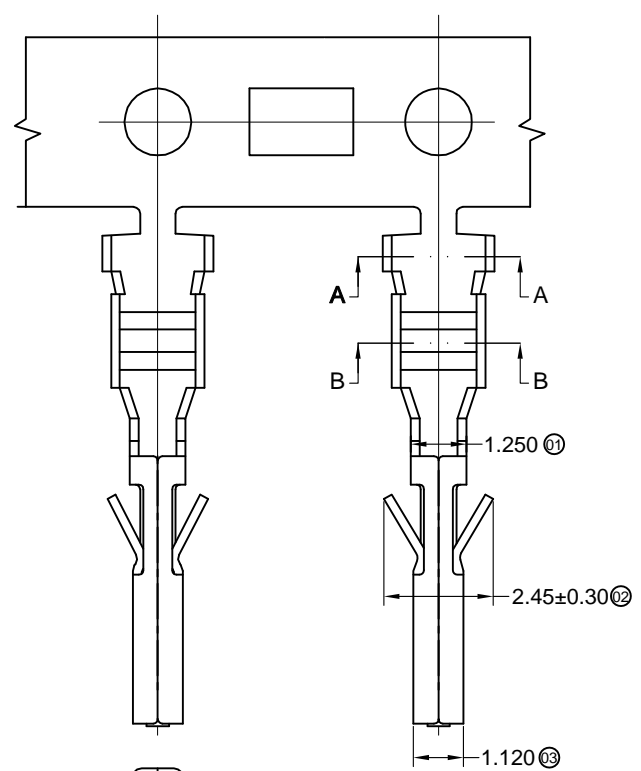
B

C

D

E

F



■ Specifications :

- Voltage rating: 250V AC / DC
- Current rating: 5A AC / DC
- Withstanding voltage: 1000V AC/minute
- Temperature range: -40°C~+85°C
- Insulation resistance: ≥1000MΩ
- Contact resistance: ≤10mΩ
- After environmental testing: ≤20mΩ

X3025 T F-P XX X-X

- (01) Series Number
- (02) Category: T-terminal
- (03) Shape: F-Female Terminal
- (04) Material: P-Phosphor bronze
- (05) Plating style:  
G-Gold-Plated Contact  
\*01-Gold Flash \*15-15u" \*30-30u"  
SN-Bright tin plating 70-120u"
- (06) Plating method:  
Blank-Stamping before plating
- (07) Mold No./Mark/Special No.

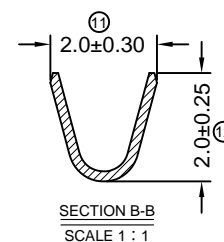
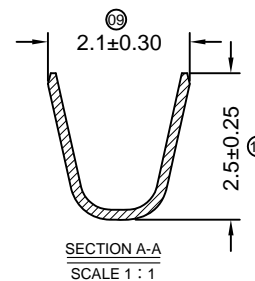
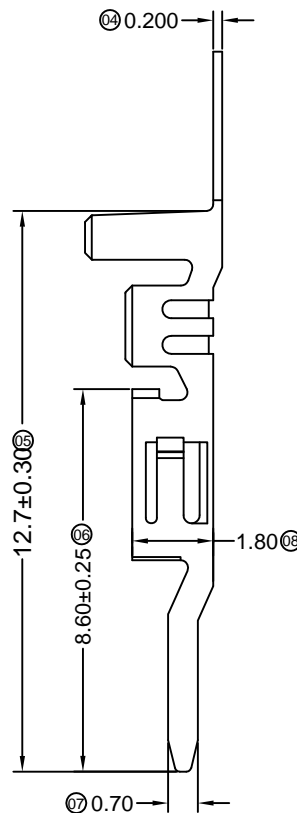
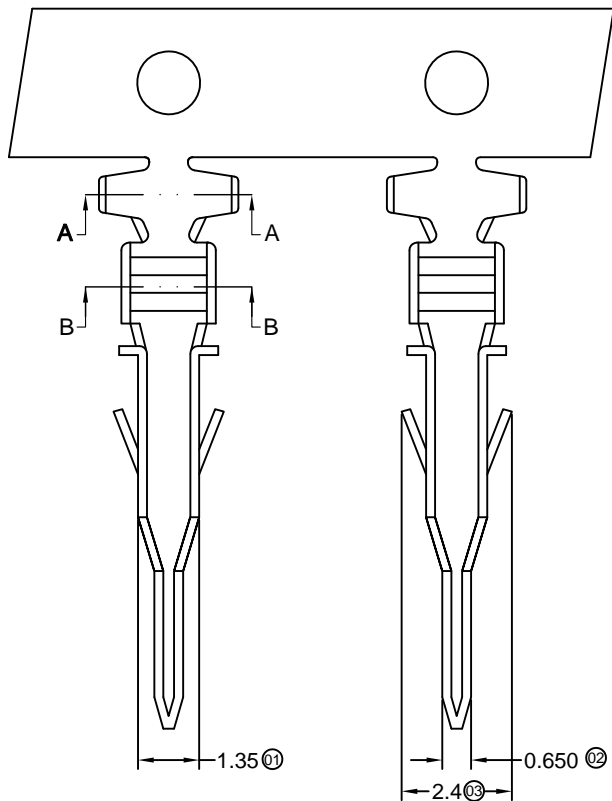
X3025TF-PG30	Phosphor Bronze	AWG#20-24	1.85mm(Max)	Stamping Before Pating:30-50u" Ni;Contact Area Gold:30u" Min.	X3025HM
X3025TF-PG15				Stamping Before Pating:30-50u" Ni;Contact Area Gold:15u" Min.	
X3025TF-PG01				Stamping Before Pating:30-50u" Ni;Contact Area Gold Flash	
X3025TF-PSN				Stamping Before Pating:30-50u" Ni;70-120u" Sn	
PART NO	Material	Wire Range	Insulation O.D.	Finish	Used In XKB Housing

For and on behalf of  
**XKB INDUSTRIAL PRECISION CO., LIMITED**  
 香港星坤工業精密有限公司

△ X						ANGULAR	±5°
△ X						L ≤ 4	±0.2
△ X						4 < L ≤ 16	±0.3
△ X						16 < L ≤ 63	±0.4
MARK						L > 63	±0.5
REVISIONS				UNSPECIFIED TOLERANCES			

DSND		DATE		SCALE: N/A	MODEL TYPE: X3025TF-PXXX
DWN		DATE		VIEW:	PART NO.:
CHKD		DATE		UNIT: mm	3.00 mm Crimp Style Connectors
APPD		DATE		SIZE: A4	DWG NO.:
Authorized Signature(s)				XKB INDUSTRIAL PRECISION CO., LIMITED	
WEIGHT	1.0g	SHEET	1/1	REVISION	A0

1 2 3 4 5 6 7 8



■ Specifications :

- Voltage rating: 250V AC / DC
- Current rating: 5A AC / DC
- Withstanding voltage: 1000V AC/minute
- Temperature range: -25°C~+85°C
- Insulation resistance: ≥1000MΩ
- Contact resistance: ≤10mΩ
- After environmental testing: ≤20mΩ

X3025 T M-P XX X-X

(11) (12) (13) (14) (15) (16) (17)

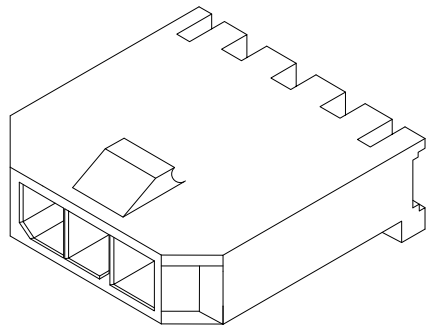
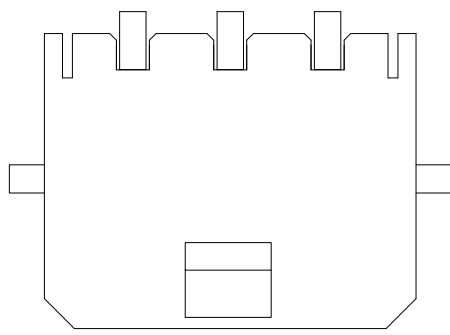
- (11) Series Number
- (12) Category: T-terminal
- (13) Shape: M-Male Terminal
- (14) Material: P-Phosphor bronze
- (15) Plating style:  
G-Gold-Plated Contact  
\*01-Gold Flash \*15-15u" \*30-30u"  
SN-Bright tin plating 70u"
- (16) Plating method:  
Blank-Stamping before plating
- (17) Mold No./Mark/Special No.

X3025TM-PG30				Stamping Before Pating:30u" Ni;Contact Area Gold:30u" Min.	X3025HF
X3025TM-PG15	Phosphor Bronze	AWG#20-24	1.85mm(Max)	Stamping Before Pating:30u" Ni;Contact Area Gold:15u" Min.	
X3025TM-PG01				Stamping Before Pating:30u" Ni;Contact Area Gold Flash	
△ X3025TM-PSN				Stamping Before Pating:30u" Ni;70u"Sn	
PART NO	Material	Wire Range	Insulation O.D.	Finish	Used In XKB Housing

For and on behalf of  
**XKB INDUSTRIAL PRECISION CO., LIMITED**  
**香港星坤工業精密有限公司**

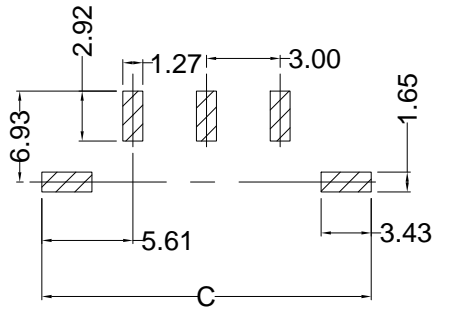
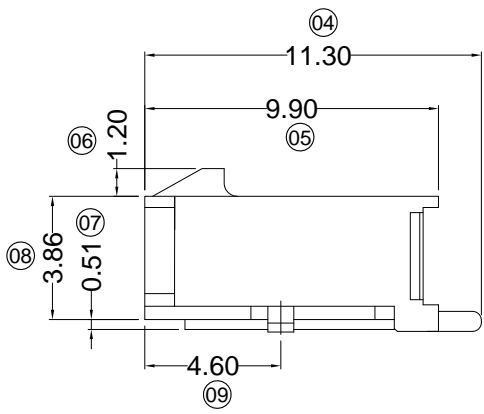
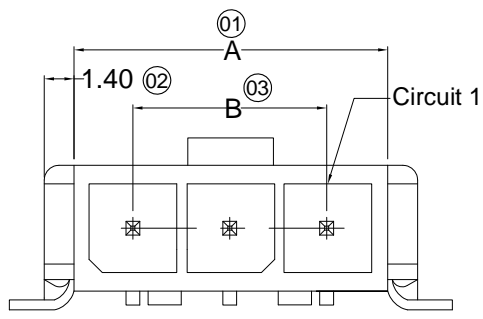
△ X						ANGULAR	± 5°	DSND		DATE		SCALE: N/A	MODEL TYPE: X3025TM-PXX
△ X						L ≤ 4	± 0.2	DWN		DATE		VIEW:	PART NO.:
△ X						4 < L ≤ 16	± 0.3	CHKD		DATE		UNIT: mm	3.00 mm Crimp Style Connectors
△ X						16 < L ≤ 63	± 0.4	APPD		DATE		SIZE: A4	DWG NO.:
MARK	DESCRIPTION	DATE	REVISED	APPROVED		L > 63	± 0.5						
REVISIONS							UNSPECIFIED TOLERANCES	<b>XKB INDUSTRIAL PRECISION CO., LIMITED</b>			WEIGHT	SHEET	REVISION
											1.0g	1/1	A0

Authorized Signature(s)



**Specifications :**

- Voltage rating: 250V AC / DC
- Current rating: 5A AC / DC
- Withstanding voltage: 1000V AC/minute
- Temperature range: -25°C~+85°C
- Insulation resistance: ≥1000MΩ
- Contact resistance: ≤10mΩ
- After environmental testing: ≤20mΩ
- Mark "\*" Indicate Dimensions Need To Controlled In Emphasis



**P.C.B. LAYOUT**

X3025 W R S- XX D-LP SW XX

①②③④ ⑤⑥⑦⑧⑨

- ① Series No.
- ② Category:  
W-wafer
- ③ Welding Board Angle:  
R-90°
- ④ Welding Way:  
S-SMT
- ⑤ Row No.-Pin No.  
XX-Single row
- ⑥ Special NO.  
D-Solder Tabs
- ⑦ Material:  
LP-LCP 94V-0
- ⑧ Planting Category:  
V\*\* : All Gold-Plated  
G\*\* : Gold-Plated Contact  
\*01-Gold Flash ; \*02-2U" ; \*03-3U" ; \*05-5U"  
\*10-10U" ; \*15-15U" ; \*30-30U" ; \*50-50U"  
SN1-Bright tin plating 70U"  
SW-Fog Tin plating
- ⑨ Color:  
Blank-natural color

Poles	Dimensions		
	A	B	C
2	6.85	3.00	14.20
3	9.85	6.00	17.20
4	12.85	9.00	20.20
5	15.85	12.00	23.20
6	18.85	15.00	26.20
7	21.85	18.00	29.20
8	24.85	21.00	32.20
9	27.85	24.00	35.20
10	30.85	27.00	38.20
11	33.85	30.00	41.20
12	36.85	33.00	44.20

X3025WRS-XXD-LPG15	LCP UL 94V-0	Brass	Contact Area Gold: 15u" Min.	Brass	Tin-Plated	X3025H
X3025WRS-XXD-LPSW	LCP UL 94V-0	Brass	Tin Plating Fog	Brass	Tin-Plated	X3025H
PART NO	Material	Material(Pin)	Finish(Pin)	Material (Solder Tabs)	Finish (Solder Tabs)	Mates With XKB Housing

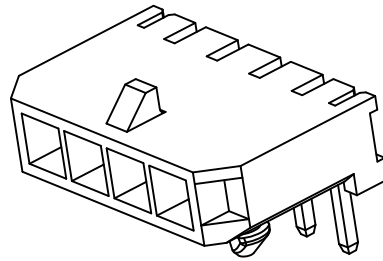
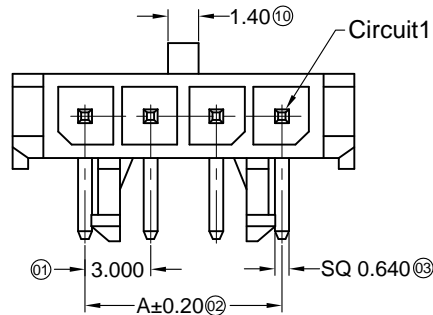
For and on behalf of  
**XKB INDUSTRIAL PRECISION CO., LIMITED**  
 香港星坤工業精密有限公司

MARK	DESCRIPTION	DATE	REVISED	APPROVED	UNSPECIFIED TOLERANCES
△ X					ANGULAR ±5°
△ X					L ≤ 4 ±0.2
△ X					4 < L ≤ 16 ±0.3
△ X					16 < L ≤ 63 ±0.4
△ X					L > 63 ±0.5

DSND	DATE	SCALE: N/A	MODEL TYPE:
DWN	DATE	VIEW:	X3025WRS-XXD-LPXXX
CHKD	DATE	UNIT: mm	PART NO.:
APPD	DATE	SIZE: A4	3.00 mm Crimp Style Connectors
			DWG NO.:
		WEIGHT	SHEET
		1.0g	1/1
		REVISION	A0

Authorized Signature(s)

**XKB INDUSTRIAL PRECISION CO., LIMITED**

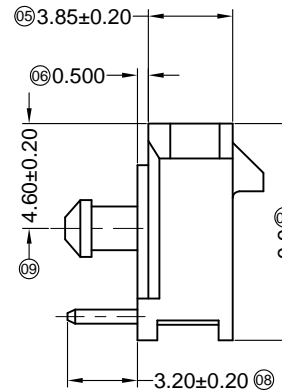
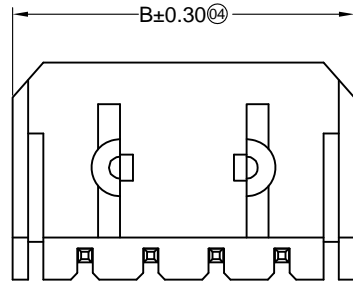


**Specifications :**

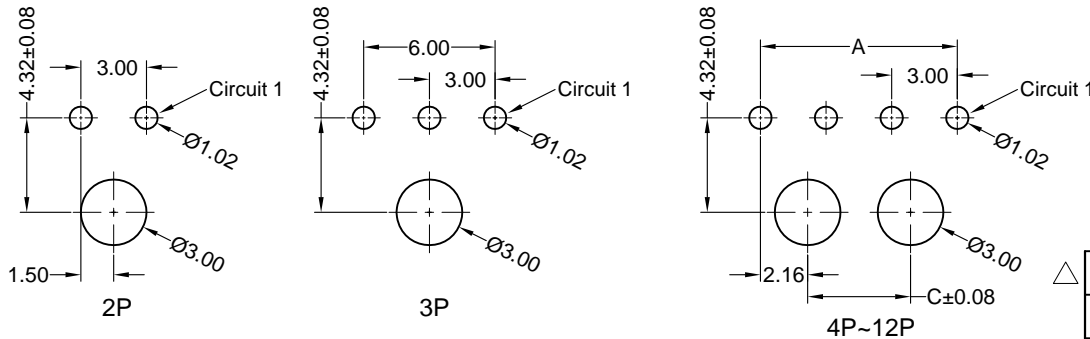
- Voltage rating: 250V AC / DC
- Current rating: 5A AC / DC
- Withstanding voltage: 1500V AC/minute
- Temperature range: -40°C~+105°C
- Insulation resistance: ≥1000MΩ
- Contact resistance: ≤10mΩ
- After environmental testing: ≤20mΩ

X3025 W R X - XX X - XX SN XX  
 (1) (2) (3) (4) (5) (6) (7) (8) (9)

- (1) Series No.
- (2) Category: W-wafer
- (3) Welding Board Angle: R-90°
- (4) Welding Way: Blank-DIP
- (5) Row No.-Pin No.: XX-Single row
- (6) Plug the Pin & Special No.:
- (7) Material:  
LP-LCP 94V-0 N0-PA9T 94V-0
- (8) Planting Category:  
SN-Bright tin plating 70u" Min.
- (9) Color: Blank-Natural Color Black



Poles	Dimensions(mm)			Poles	Dimensions(mm)		
	A	B	C		A	B	C
01	---	6.65	---	07	18.00	24.65	13.70
02	3.00	9.65	---	08	21.00	27.65	16.70
03	6.00	12.65	---	09	24.00	30.65	19.70
04	9.00	15.65	4.70	10	27.00	33.65	22.70
05	12.00	18.65	7.70	11	30.00	36.65	25.70
06	15.00	21.65	10.70	12	33.00	39.65	28.70



Recommended P.C.B Layout  
 General Tolerance ± 0.05

X3025WR-XX-N0SN	PA9T UL 94V-0	Brass	Tin-Plated	X3025H
X3025WR-XX-LPSN	LCP UL 94V-0			
PART NO	Material	Material(Pin)	Finish(Pin)	Mates With XKB Housing

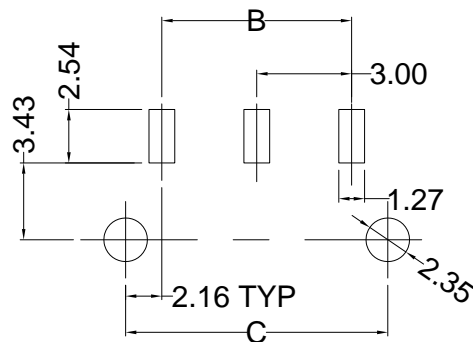
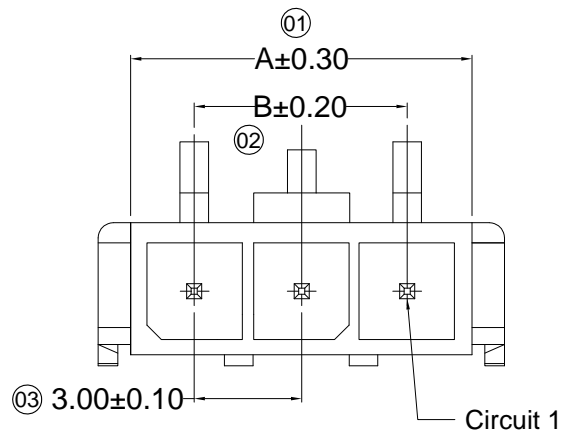
For and on behalf of  
**XKB INDUSTRIAL PRECISION CO., LIMITED**  
**香港星坤工業精密有限公司**

MARK	DESCRIPTION	DATE	REVISED	APPROVED	UNSPECIFIED TOLERANCES
△ X					ANGULAR ± 5°
△ X					L ≤ 4 ± 0.2
△ X					4 < L ≤ 16 ± 0.3
△ X					16 < L ≤ 63 ± 0.4
△ X					L > 63 ± 0.5

DSND	DATE	SCALE: N/A	MODEL TYPE: X3025WR-XX-XXSNXX
DWN	DATE	VIEW:	PART NO.:
CHKD	DATE	UNIT: mm	3.00mm Crimp Style Connectors
APPD	DATE	SIZE: A4	DWG NO.:
			WEIGHT 1.0g
			SHEET 1/1
			REVISION A0

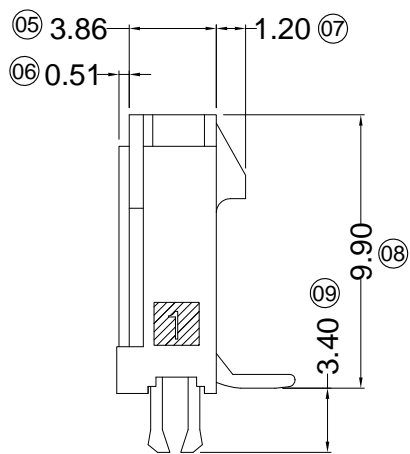
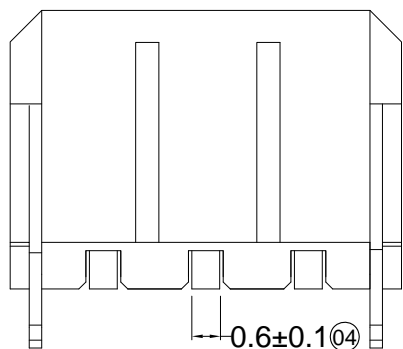
Authorized Signature(s)

**XKB INDUSTRIAL PRECISION CO., LIMITED**



- Specifications :**
- Voltage rating: 250V AC / DC
  - Current rating: 5A AC / DC
  - Withstanding voltage: 1000V AC/minute
  - Temperature range: -25°C~+85°C
  - Insulation resistance: ≥1000MΩ
  - Contact resistance: ≤10mΩ
  - After environmental testing: ≤20mΩ
  - Mark "\*" Indicate Dimensions Need To Controlled In Emphasis

**P.C.B. LAYOUT**



X3025 W V S- XX C-XX XX XX

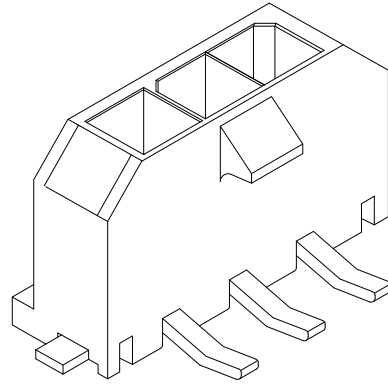
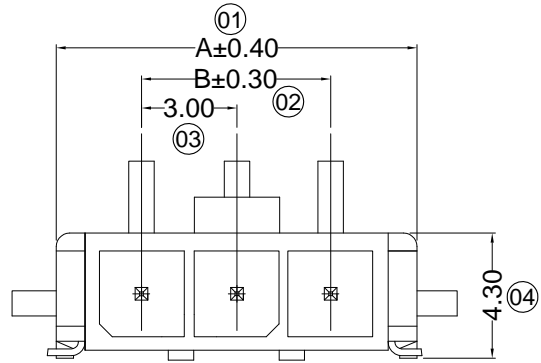
- ① Series No.
- ② Category: W-wafer
- ③ Welding Board Angle: V-180°
- ④ Welding Way: S-SMT
- ⑤ Row No.-Pin No. XX-Single row
- ⑥ Special NO. C-The harpoon
- ⑦ Material: LP-LCP 94V-0 66-PA66 94V-0
- ⑧ Planting Category: V\*\*:All Gold-Plated  
G\*\*:Gold-Plated Contact  
\*01-Gold Flash ; \*02-2U" ; \*03-3U" ; \*05-5U" ; \*10-10U" ; \*15-15U" ; \*30-30U" ; \*50-50U"
- SN-Bright tin plating 70U"  
SN1-Bright tin plating 120U"Min. ; SW-Fog Tin plating
- ⑨ Color: Blank-natural color

Poles	Dimensions (mm)		
	A	B	C
02	6.85	3.00	7.30
03	9.85	6.00	10.30
04	12.85	9.00	13.30
05	15.85	12.00	16.30
06	18.85	15.00	19.30
07	21.85	18.00	22.30
08	24.85	21.00	25.30
09	27.85	24.00	28.30
10	30.85	27.00	31.30
11	33.85	30.00	34.30
12	36.85	33.00	37.30

△ X3025WVS-XXC-LPSW	LCP UL 94V-0	Brass	Tin Plating Fog	Brass	Tin-Plated	X3025H
X3025WVS-XXC-66SN	PA66 UL 94V-0	Brass	Tin-Plated	Brass	Tin-Plated	X3025H
PART NO	Material	Material(Pin)	Finish(Pin)	Material (Solder Tabs)	Finish (Solder Tabs)	Mates With XKB Housing

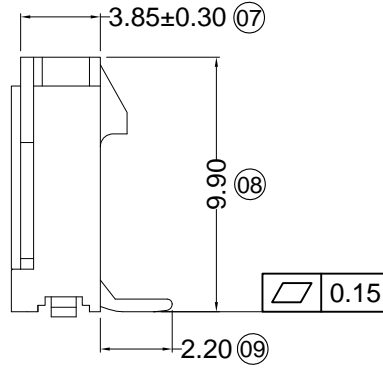
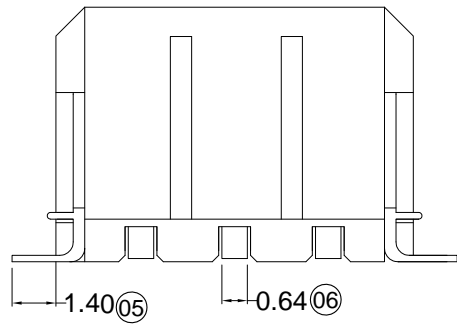
For and on behalf of  
**XKB INDUSTRIAL PRECISION CO., LIMITED**  
香港星坤工業精密有限公司

MARK	DESCRIPTION	DATE	REVISED	APPROVED	UNSPECIFIED TOLERANCES	DSND	DATE	SCALE: N/A	MODEL TYPE: X3025WVS-XXC-XXXX
△ X					ANGULAR ±5°	DWN	DATE	VIEW:	PART NO.:
△ X					L ≤ 4 ±0.2	CHKD	DATE	UNIT: mm	3.00 mm Crimp Style Connectors
△ X					4 < L ≤ 16 ±0.3	APPD	DATE	SIZE: A4	DWG NO.:
△ X					16 < L ≤ 63 ±0.4				
△ X					L > 63 ±0.5				
REVISIONS						XKB INDUSTRIAL PRECISION CO., LIMITED			
Authorized Signature(s)						WEIGHT	SHEET	REVISION	
						1.0g	1/1	A0	



■ Specifications :

- Voltage rating: 250V AC / DC
- Current rating: 5A AC / DC
- Withstanding voltage: 1000V AC/minute
- Temperature range: -25°C~+85°C
- Insulation resistance: ≥1000MΩ
- Contact resistance: ≤10mΩ
- After environmental testing: ≤20mΩ
- Mark "\*" Indicate Dimensions Need To Controlled In Emphasis

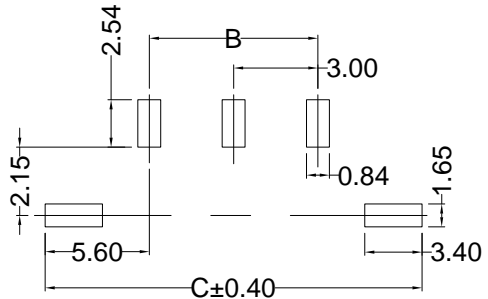


X3025 W V S- XX D-LP XX XX

01 02 03 04 05 06 07 08 09

- ① Series No.
- ② Category: W-wafer
- ③ Welding Board Angle: V-180°
- ④ Welding Way: S-SMT
- ⑤ Row No.-Pin No. XX-Single row
- ⑥ Special NO. D-Solder Tabs
- ⑦ Material: LP-LCP 94V-0
- ⑧ Planting Category: V\*\*:All Gold-Plated; G\*\*:Gold-Plated Contact; \*01-Gold Flash ; \*02-2U" ; \*03-3U" ; \*05-5U" ; \*10-10U" ; \*15-15U" ; \*30-30U" ; \*50-50U"
- ⑨ SN-Bright tin plating 70U" ; SN1-Bright tin plating 120U"Min. ; SW-Fog Tin plating
- ⑩ Color: Blank-natural color

Poles	Dimensions(mm)		
	A	B	C
02	9.70	3.00	12.50
03	12.70	6.00	15.50
04	15.70	9.00	18.50
05	18.70	12.00	21.50
06	21.70	15.00	24.50
07	24.70	18.00	27.50
08	27.70	21.00	30.50
09	30.70	24.00	33.50
10	33.70	27.00	36.50
11	36.70	30.00	39.50
12	39.70	33.00	42.50



P.C.B. LAYOUT

△	X3025WVS-XXD-LPSW	LCP UL 94V-0	Brass	Tin Plated Fog	Brass	Tin Plated Fog	X3025H
	X3025WVS-XXD-LPSN	LCP UL 94V-0		Tin-Plated		Tin-Plated	
	PART NO	Material	Material(Pin)	Finish(Pin)	Material (Solder Tabs)	Finish (Solder Tabs)	Mates With XKB5.70] Housing

For and on behalf of  
**XKB INDUSTRIAL PRECISION CO., LIMITED**  
 香港星坤工業精密有限公司

△ X					ANGULAR	± 5°	DSND		DATE		SCALE: N/A	MODEL TYPE:
△ X					L ≤ 4	± 0.2	DWN		DATE		VIEW:	X3025WVS-XXD-LPXX
△ X					4 < L ≤ 16	± 0.3	CHKD		DATE		UNIT: mm	PART NO.:
△ X					16 < L ≤ 63	± 0.4	APPD		DATE		SIZE: A4	3.00 mm Crimp Style Connectors
MARK	DESCRIPTION	DATE	REVISED	APPROVED	L > 63	± 0.5			DATE			DWG NO.:
REVISIONS						UNSPECIFIED TOLERANCES	XKB INDUSTRIAL PRECISION CO., LIMITED			WEIGHT	SHEET	REVISION
										1.0g	1/1	A0

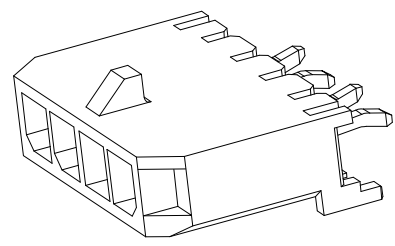
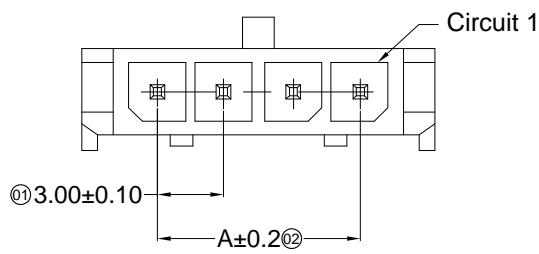
Authorized Signature(s)



1 2 3 4 5 6 7 8

A  
B  
C  
D  
E  
F

A  
B  
C  
D  
E  
F

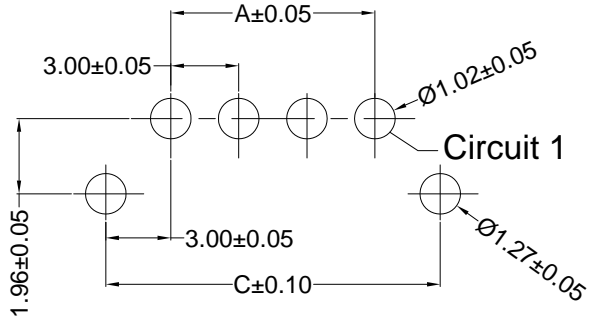
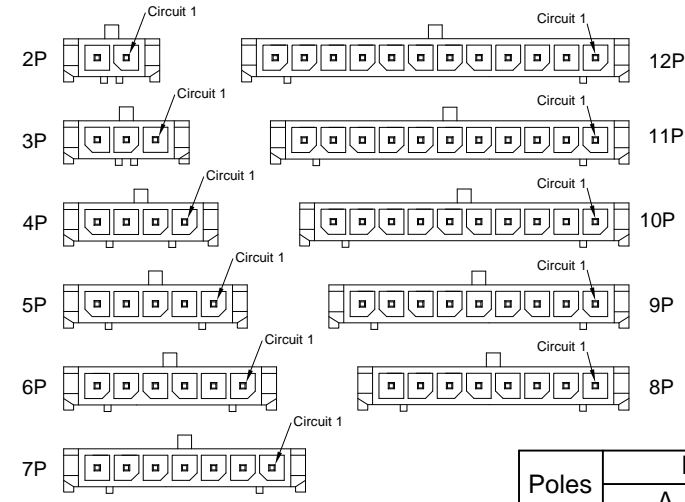
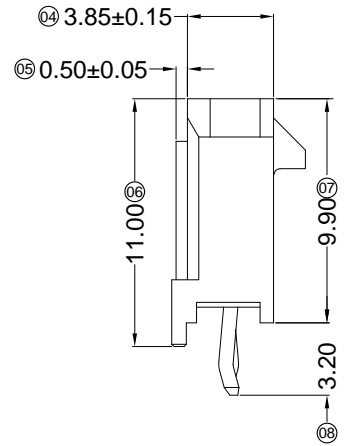
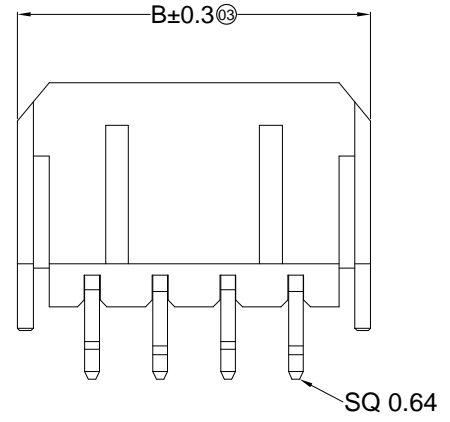


■ Specifications :

- Voltage rating: 250V AC / DC
- Current rating: 5A AC / DC
- Withstanding voltage: 1500V AC/minute
- Temperature range: -25°C~+85°C
- Insulation resistance: ≥1000MΩ
- Contact resistance: ≤10mΩ
- After environmental testing: ≤20mΩ

X3025 W V X-XX X- XX SN XX

- ① Series No.
- ② Category: W-wafer
- ③ Welding Board Angle: V- Straight 180°
- ④ Welding Way: Blank-DIP
- ⑤ Row No.-Pin No.: XX-02P-12P
- ⑥ Plug the Pin & Special No.:
- ⑦ Material: 46-PA46 94V-0 ; N0-PA9T 94V-0 ; 66-PA66 94V-0
- ⑧ Planting Category: SN-Bright tin plating
- ⑨ Color: Blank-Natural Color



P.C.B LAYOUT

X3025WV-XX-66SN	PA66 UL 94V-0	Brass	Tin-Plated	X3025H
X3025WV-XX-46SN	PA46 UL 94V-0			
X3025WV-XX-N0SN	PA9T UL 94V-0			
PART NO	Material	Material(Pin)	Finish(Pin)	Mates With XKB Housing

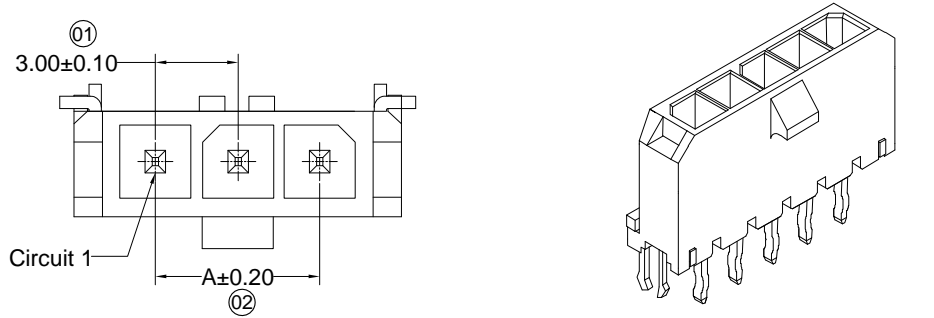
Poles	Dimensions(mm)		
	A	B	C
02	3.00	9.65	9.00
03	6.00	12.65	12.00
04	9.00	15.65	15.00
05	12.00	18.65	18.00
06	15.00	21.65	21.00
07	18.00	24.65	24.00
08	21.00	27.65	27.00
09	24.00	30.65	30.00
10	27.00	33.65	33.00
11	30.00	36.65	36.00
12	33.00	39.65	39.00

For and on behalf of  
**XKB INDUSTRIAL PRECISION CO., LIMITED**  
 香港星坤工業精密有限公司

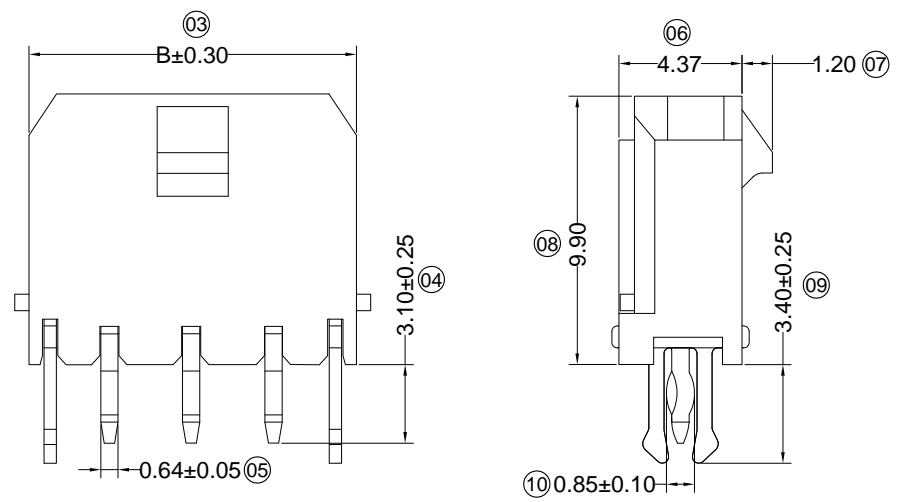
△ X						ANGULAR	± 5°
△ X						L ≤ 4	± 0.2
△ X						4 < L ≤ 16	± 0.3
MARK						16 < L ≤ 63	± 0.4
						L > 63	± 0.5
REVISIONS						UNSPECIFIED TOLERANCES	

DSND		DATE		SCALE: N/A	MODEL TYPE: X3025WV - N0SN	
DWN		DATE		VIEW:	PART NO.:	
CHKD		DATE		UNIT: mm	3.00mm Crimp Style Connectors	
APPD		DATE		SIZE: A4	DWG NO.:	
XKB INDUSTRIAL PRECISION CO., LIMITED				WEIGHT	SHEET	REVISION
				1.0g	1/1	A0

1 2 3 4 5 6 7 8



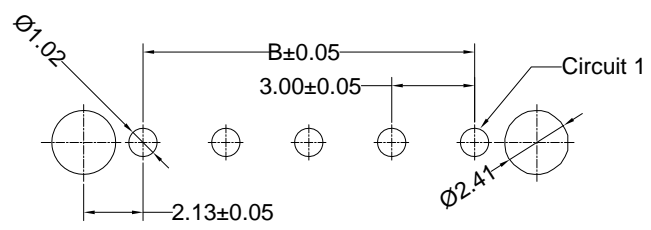
- Specifications :**
- Voltage rating: 250V AC / DC
  - Current rating: 5A AC / DC
  - Withstanding voltage: 1000V AC/minute
  - Temperature range: -25°C~+85°C
  - Insulation resistance: ≥1000MΩ
  - Contact resistance: ≤10mΩ
  - After environmental testing: ≤20mΩ



X3025W V X-XXC-XXSNXX

- ① Series No.  
 ② Category: W-wafer  
 ③ Welding Board Angle: V-180°  
 ④ Welding Way: Blank-DIP  
 ⑤ Row No.-Pin No. XX-Single row  
 ⑥ Special NO. C-With a harpoon  
 ⑦ Material: LP-LCP 94V-0 66-PA66 94V-0  
 ⑧ Planting Category:  
 V\*\*:All Gold-Plated  
 G\*\*:Gold-Plated Contact  
 \*01-Gold Flash ; \*02-2u" ; \*03-3u" ; \*05-5u"  
 \*10-10u" ; \*15-15u" ; \*30-30u" ; \*50-50u"  
 SN-Bright tin plating 70u"  
 SN1-Bright tin plating 120u"Min. ;  
 SW-Fog Tin plating  
 ⑨ Color: Blank-natural color

Poles	Dimensions (mm)	
	A	B
2	3.00	9.65
3	6.00	12.65
4	9.00	15.65
5	12.00	18.65
6	15.00	21.65
7	18.00	24.65
8	21.00	27.65
9	24.00	30.65
10	27.00	33.65
11	30.00	36.65
12	33.00	39.65



**P.C.B LAYOUT**

X3025WV-XXC-66SN	PA66 UL 94V-0	Brass	Tin-Plated	X3025H
X3025WV-XXC-LPSN	LCP UL 94V-0			
PART NO	Material	Material(Pin)	Finish(Pin)	Mates With XKB Housing

For and on behalf of  
**XKB INDUSTRIAL PRECISION CO., LIMITED**  
 香港星坤工業精密有限公司

MARK	DESCRIPTION	DATE	REVISED	APPROVED	UNSPECIFIED TOLERANCES
△ X					ANGULAR ±5°
△ X					L ≤ 4 ±0.2
△ X					4 < L ≤ 16 ±0.3
					16 < L ≤ 63 ±0.4
					L > 63 ±0.5

DSND	DATE	SCALE: N/A	MODEL TYPE: X3025WV-XXC-SN
DWN	DATE	VIEW:	PART NO.:
CHKD	DATE	UNIT: mm	3.00 mm Crimp Style Connectors
APPD	DATE	SIZE: A4	DWG NO.:
XKB INDUSTRIAL PRECISION CO., LIMITED		WEIGHT 1.0g	SHEET 1/1
		REVISION A0	

Authorized Signature(s)