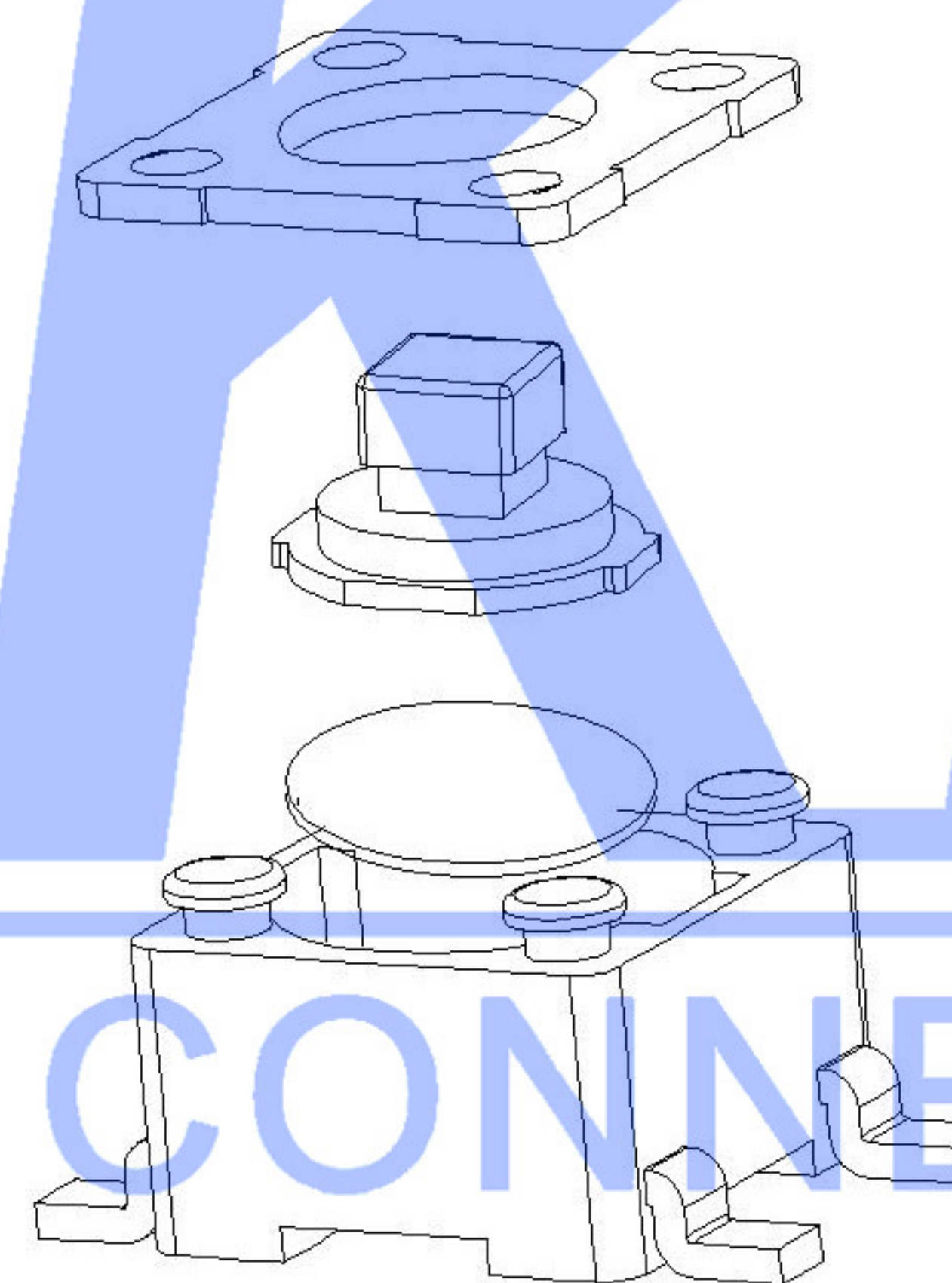
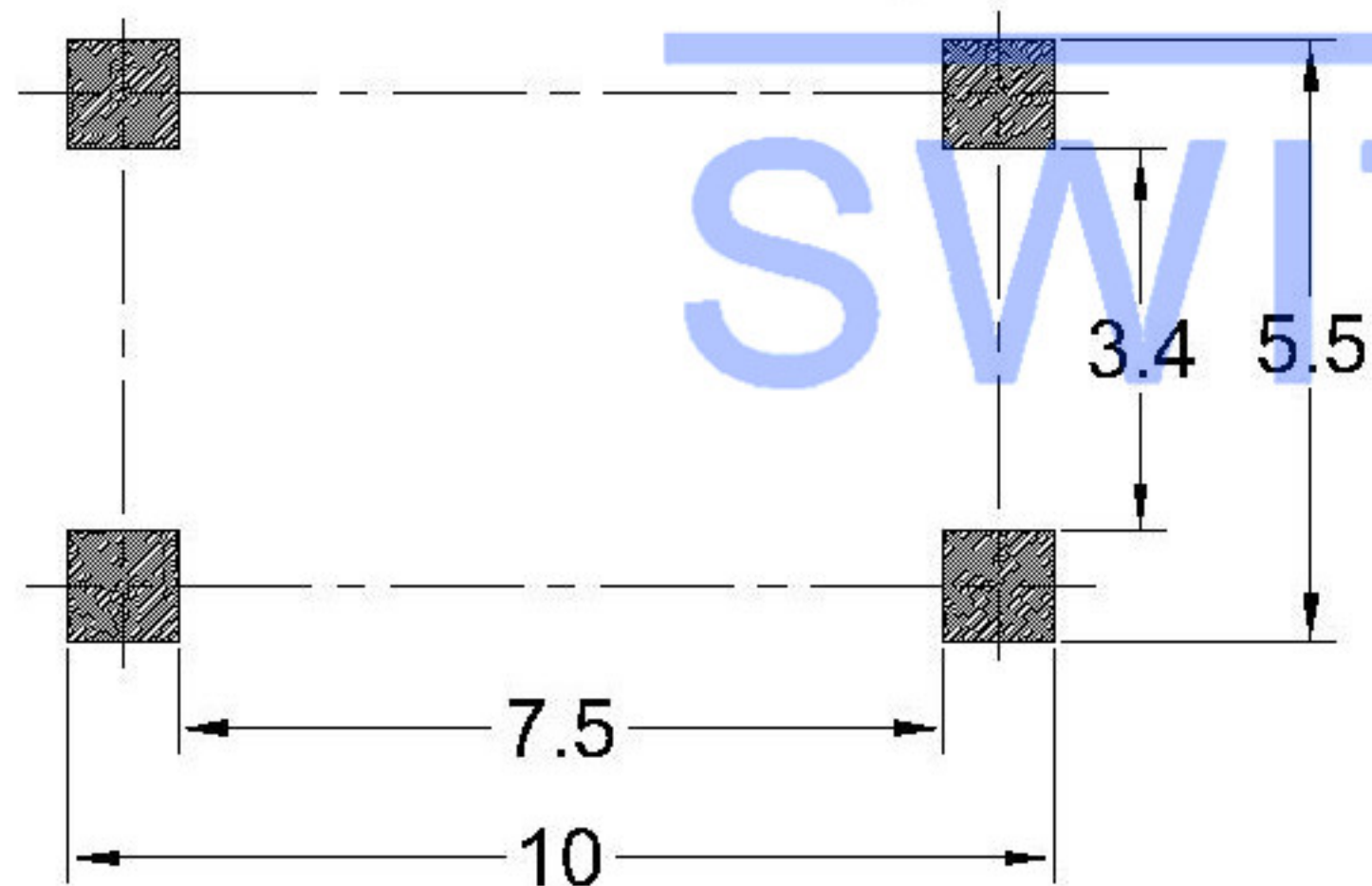


Recommended P.C.B layout



SPECIFICATION

Contact Rating: 50mA, 12V DC
 Contact Resistance: 100mΩ max
 Insulation Resistance: 100mΩ min. 500V DC
 Dielectric Strength: 250V AC/1minute
 Travel: 0.25mm
 Operating Temp: -30°C ~ +85°C
 Storage Temp: -30°C ~ +80°C

PAPT NO	TS-1102T-X
Operating Force	A: 100gf B: 160gf C: 260gf
Height	D: 7.3

⑤	Terminal	—	4	Brass (0.30t)	Plating silvering	—
④	Contact	—	1	F.ag/Sus	Natural	—
③	Base	—	1	Pa46	—	—
②	Cover	—	1	Spcc	Plating Nickel	—
①	Keystake	—	1	Pa46	—	—
ITEM	PAPT NAME	TER,NO	QTY	MATERIAL	FINISHING	REMARK

					units: mm	DSND		DATE		SCALE: N/A	MODEL TYPE: TACT SWITCH		
					tolerance:	DWN		DATE		VIEW:	PART NO.:		
					X.X ±0.2mm	CHKD		DATE		UNIT: mm	DWG NO.:		
					X.XX ±0.1mm	APPD		DATE		SIZE: A4	TS-1102T-X		
					X.XXX ±0.05mm	XKB INDUSTRIAL PRECISION CO., LIMITED					WEIGHT	SHEET	REVISION
					UNSPECIFIED TOLERANCES						1.0g	1/1	A0
MARK	DESCRIPTION	DATE	REVISED	APPROVED									
REVISIONS													
www.xk-dg.cn www.helloxkb.com www.helloxkb.cn													