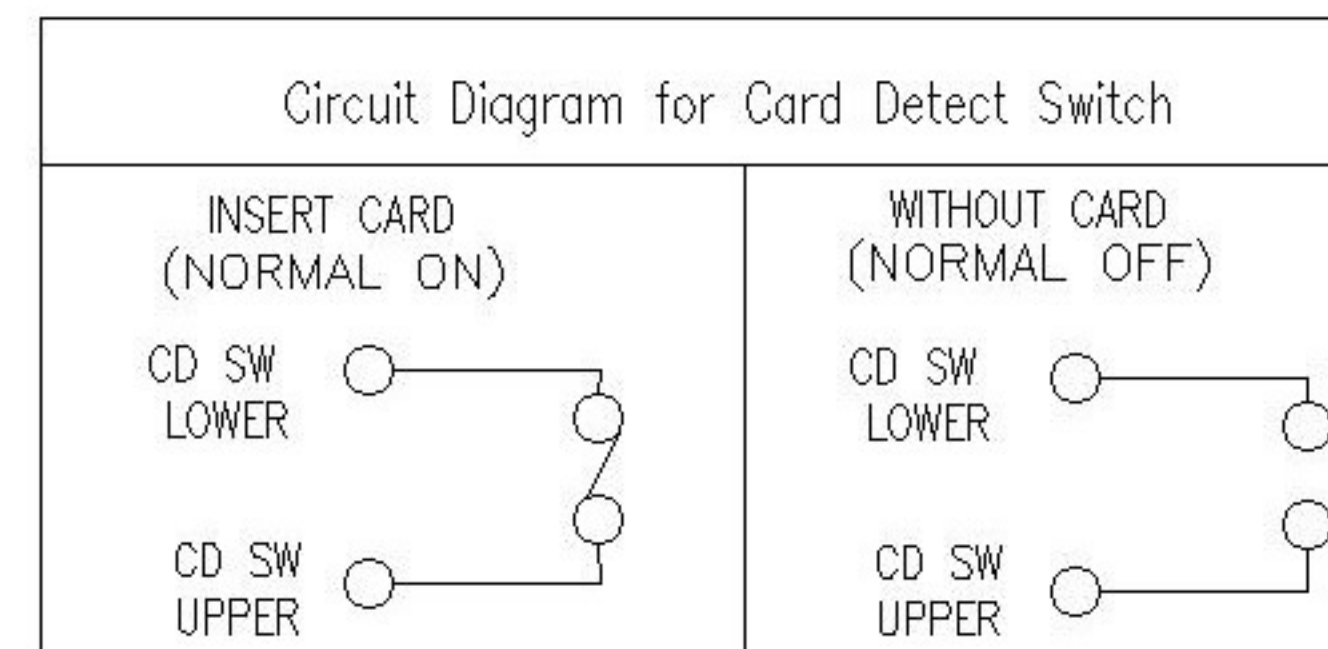


Specification

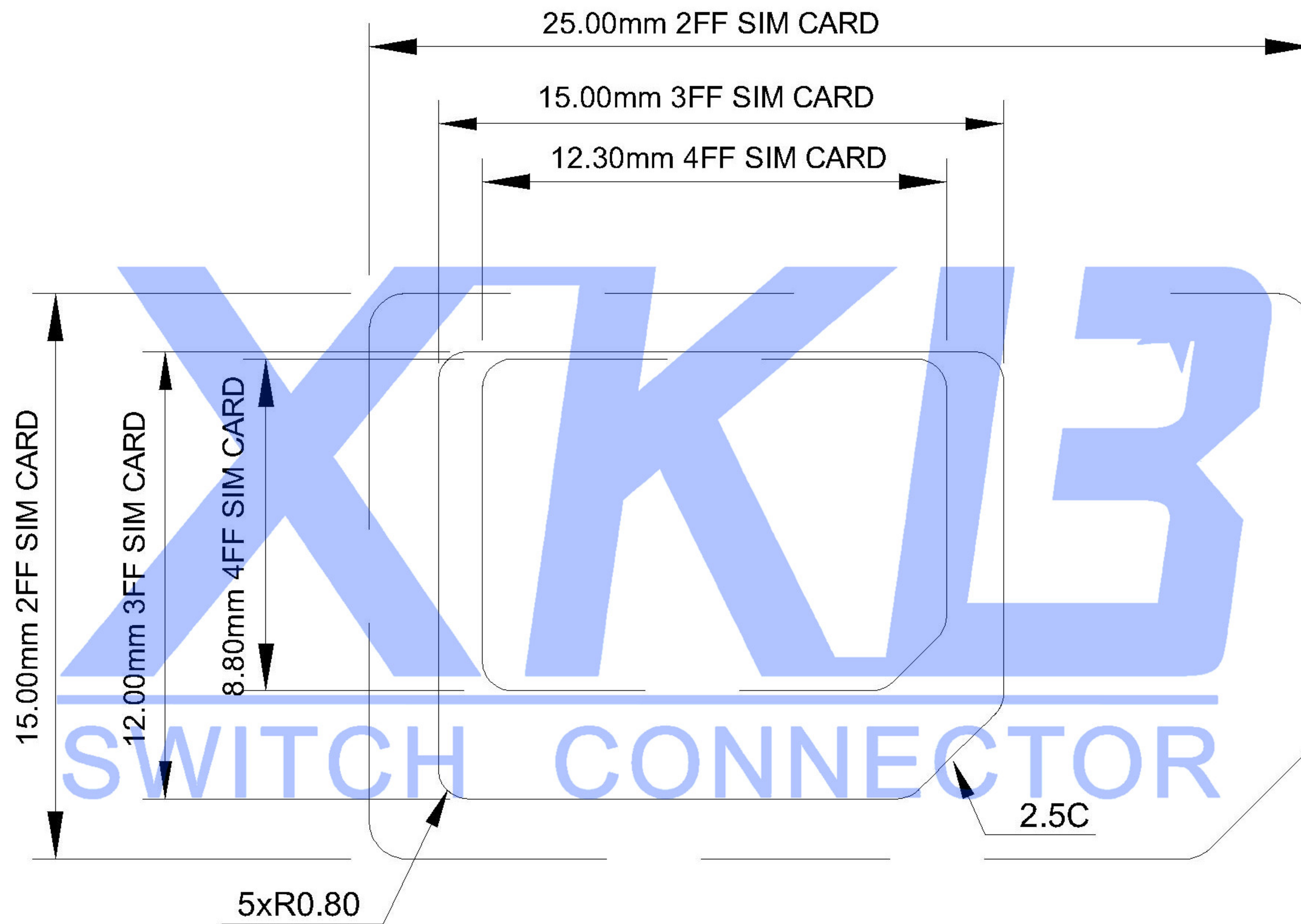
- * Electrical Characteristics :
 Current Rating: 0.5A AC/DC Max.
 Dielectric Withstanding Voltage: 250V AC/DC
 Insulation Resistance: 500M ohms Min.
 Contact Resistance: 100m ohms Max.
- * Mechanical Characteristics:
 Mating Cycles: 5000 Insertions.
- * Environmental :
 Operating Temperature: -40°C to +85°C.
- * Material:
 1. Housing: HI-Temp plastic UL 94V-0 Rated.
 2. Contact: Copper Alloy.
 3. Shell: Stainless Steel, t=0.20mm.
- * Plating :
 Terminal:
 Contact area: G/F Plated Over Nickel.
 Solder area: Tin Plated Over Nickel.
 Under plate: Nickel.
 Shell:
 Nickel Plated Over All,
 Solder Area: Gold Flash.

PIN NO.	DESCRIPTION
P1#	C1:VCC
P2#	C5:GND
P3#	C2:RST
P4#	C6:VPP
P5#	C3:CLK
P6#	C7:I/O
P7#	CD SW LOWER
P8#	CD SW UPPER



ITEM	PART NAME	QTY	MATERIAL	FINISHING
③	Shell	1	SUS	
②	Terminal	8	COPPER ALLOY	
①	Housing	1	HI-TEMP. PLASIC UL 94V-0	BLACK

MARK	DESCRIPTION	DATE	REVISED	APPROVED	UNSPECIFIED TOLERANCES	DSND	DATE	SCALE: N/A	MODEL TYPE: SIM CARD CONN
△X					ANGLAR ±5°	DWN	DATE	VIEW:	PART NO.:
△X					L ≤ 4 ±0.2	CHKD	DATE	UNIT: mm	DWG NO.: XKSIM-010
△X					4 < L ≤ 16 ±0.3	APPD	DATE	SIZE: A4	WEIGHT 1.0g
					16 < L ≤ 63 ±0.4	XKB INDUSTRIAL PRECISION CO., LIMITED			SHEET 1/1
					L > 63 ±0.5				REVISION A0



REVISIONS					UNSPECIFIED TOLERANCES		DSND	DATE	SCALE: N/A	MODEL TYPE: SIM CARD CONN			
ΔX					ANGLAR	±5°	DWN	DATE	VIEW:	PART NO.:			
ΔX					L ≤ 4	±0.2	CHKD	DATE	UNIT: mm	DWG NO.: XKSIM-010			
ΔX					4 < L ≤ 16	±0.3	APPD	DATE	SIZE: A4				
MARK	DESCRIPTION	DATE	REVISED	APPROVED	16 < L ≤ 63	±0.4	XKB INDUSTRIAL PRECISION CO., LIMITED			WEIGHT	SHEET	REVISION	
					L > 63	±0.5				1.0g	1/1	A0	
www.xk-dg.cn www.helloxkb.com www.helloxkb.cn													