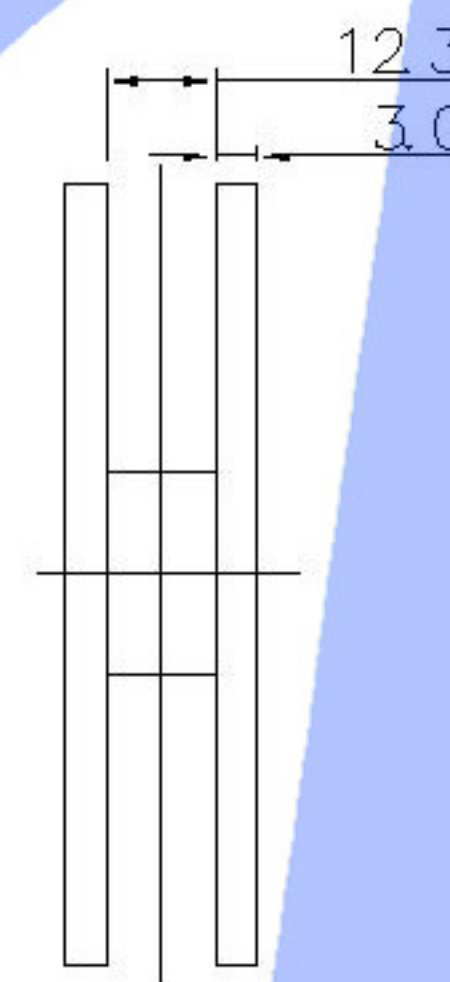
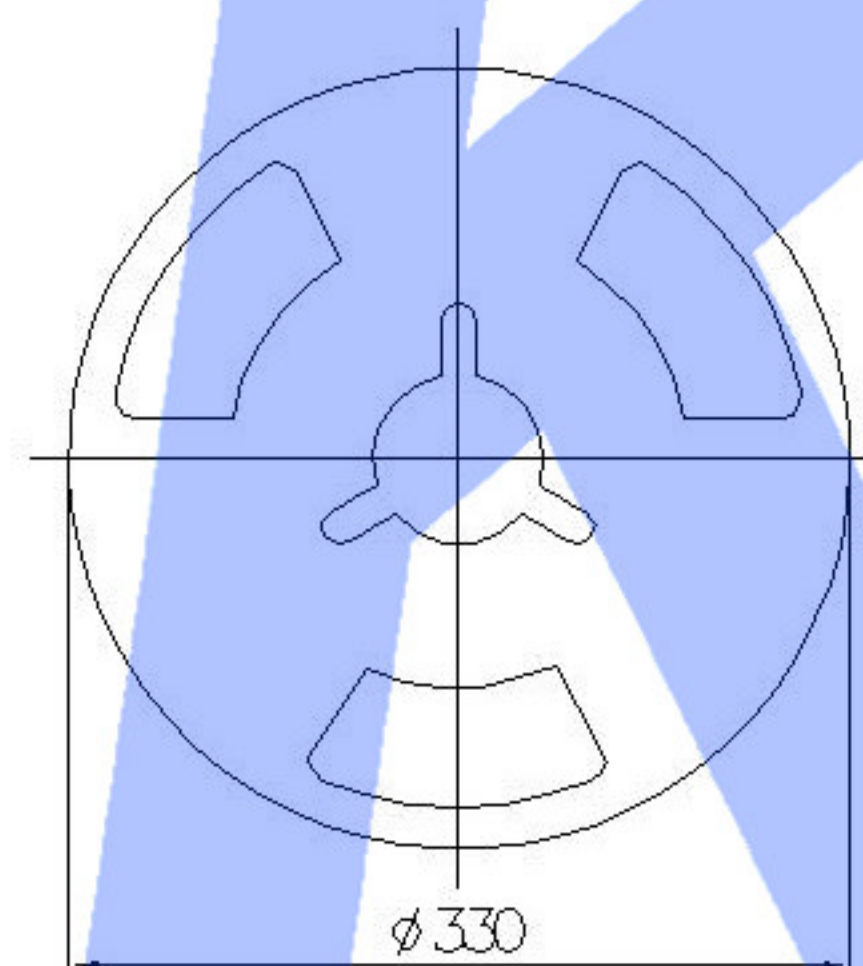
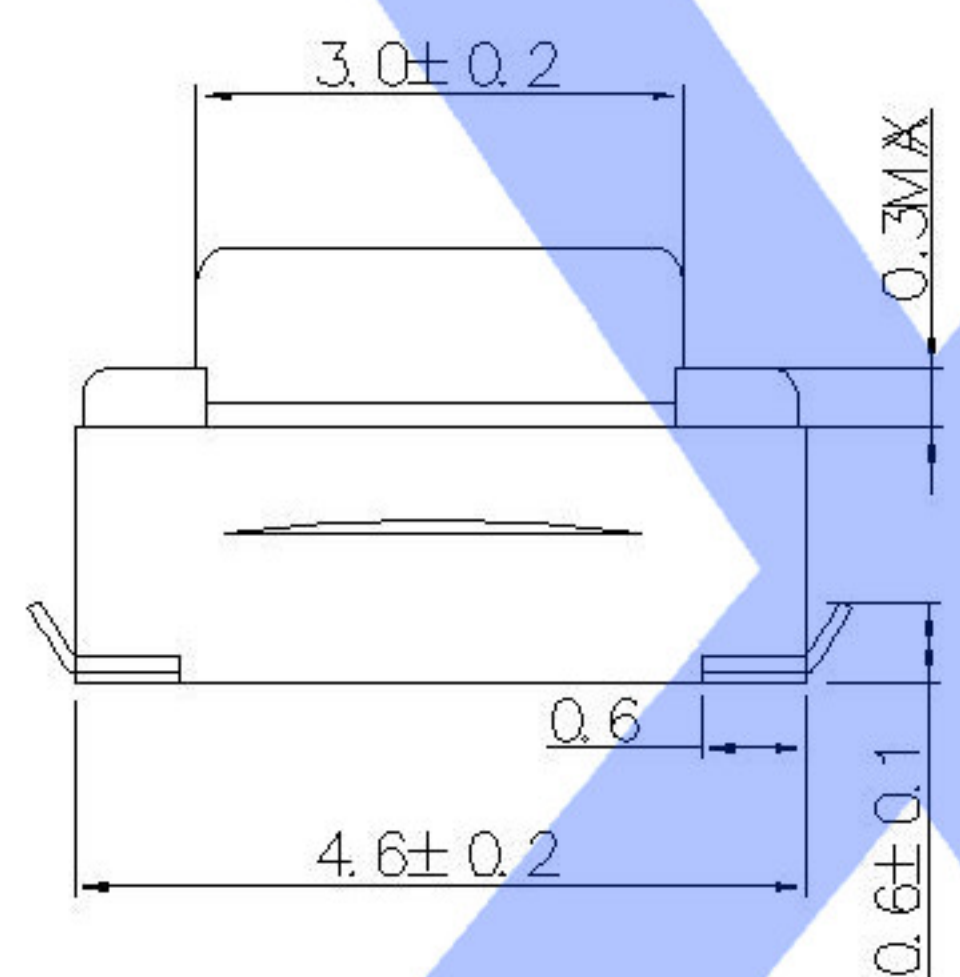
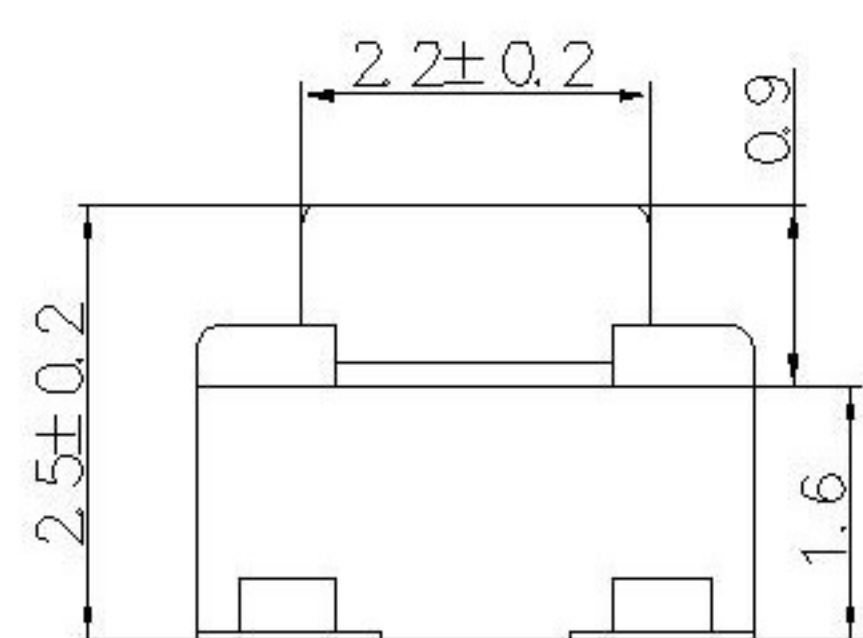
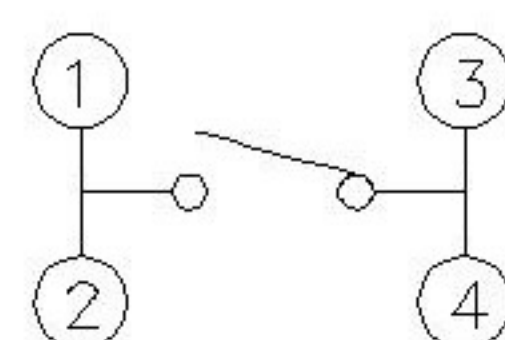


**SPECIFICATION**

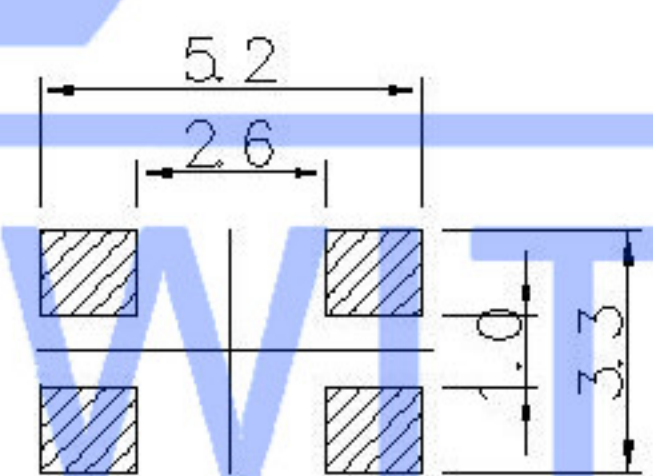
Contact Rating: 50mA, 12V DC  
 Contact Resistance: 100mΩ max  
 Insulation Resistance: 100mΩ min. 500V DC  
 Dielectric Strength: 250V AC/1minute  
 Travel: 0.20mm  
 Operating Temp: -30°C ~ +85°C  
 Storage Temp: -30°C ~ +80°C



CIRCUIT DIAGRAM



P.C.B MOUNTING HOLES



PACKING REEL TYPE 3,000/1REEL(EA)

# SWITCH CONNECTOR

PAPT NO	TS-1145-X-B
Operating Force	A:100gf B:160gf C:260gf
Height	H: 2.5
Keystake	A: PA46: B: Silica gel

⑤	Terminal	4	Brass (0.30t)	Plating silvering		
④	Contact	1	F.ag/Sus	Natural		
③	Base	1	Lcp			
②	Cover	1	Brass	Plating Nickel		
①	Keystake	1	Silica gel			
ITEM	PAPT NAME	TER,NO	QTY	MATERIAL	FINISHING	REMARK

					units: mm	DSND	DATE	SCALE: N/A	MODEL TYPE: TACT SWITCH		
					tolerance: X.X ±0.2mm	DWN	DATE	VIEW:	PART NO.:		
					X.XX ±0.1mm	CHKD	DATE	UNIT: mm	DWG NO.:		
					X.XXX ±0.05mm	APPD	DATE	SIZE: A4	TS-1145-X-B		
REVISIONS					UNSPECIFIED TOLERANCES	XKB INDUSTRIAL PRECISION CO.,LIMITED			WEIGHT	SHEET	REVISION
www.xk-dg.cn www.helloxkb.com www.helloxkb.cn									1.0g	1/1	A0