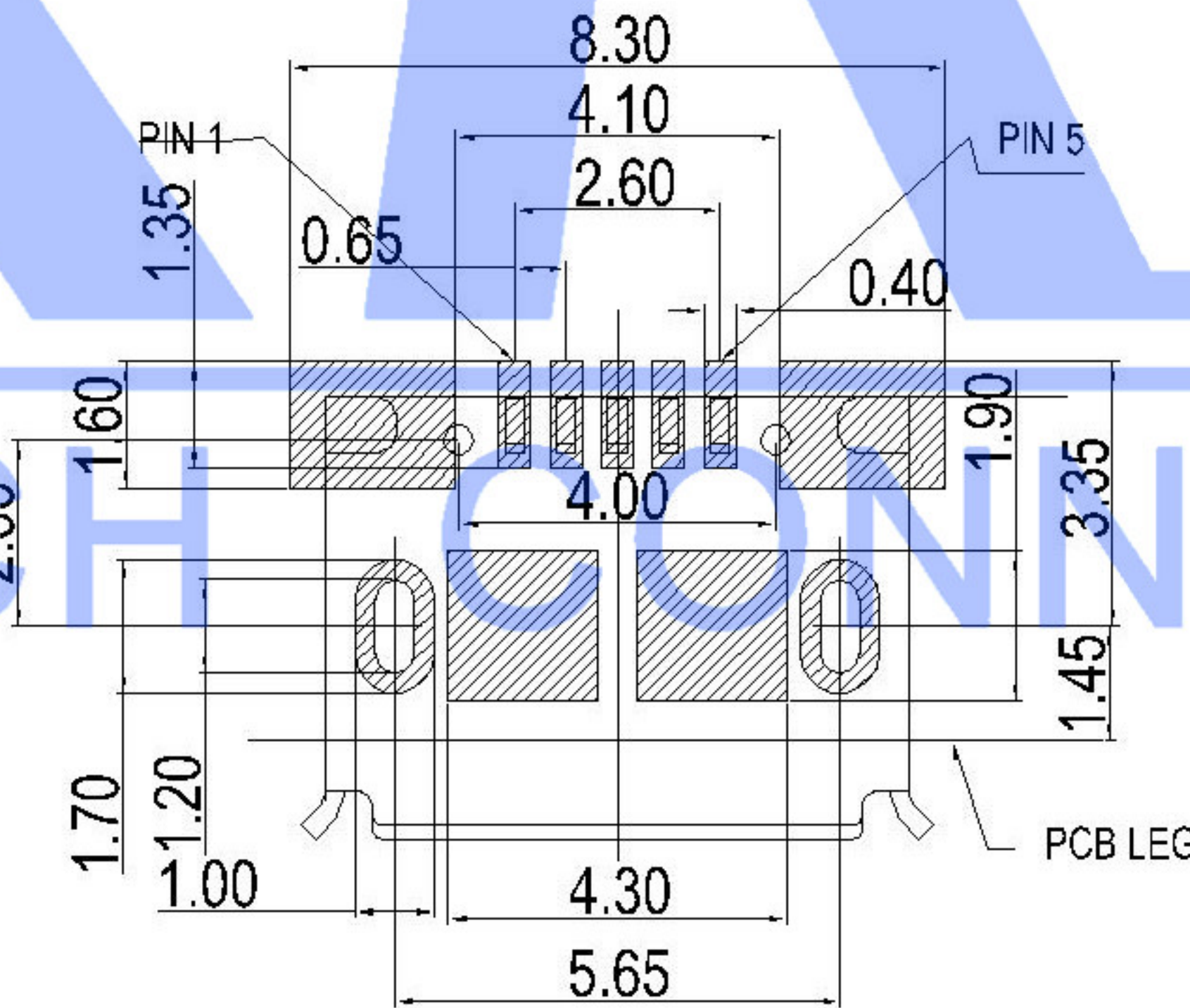
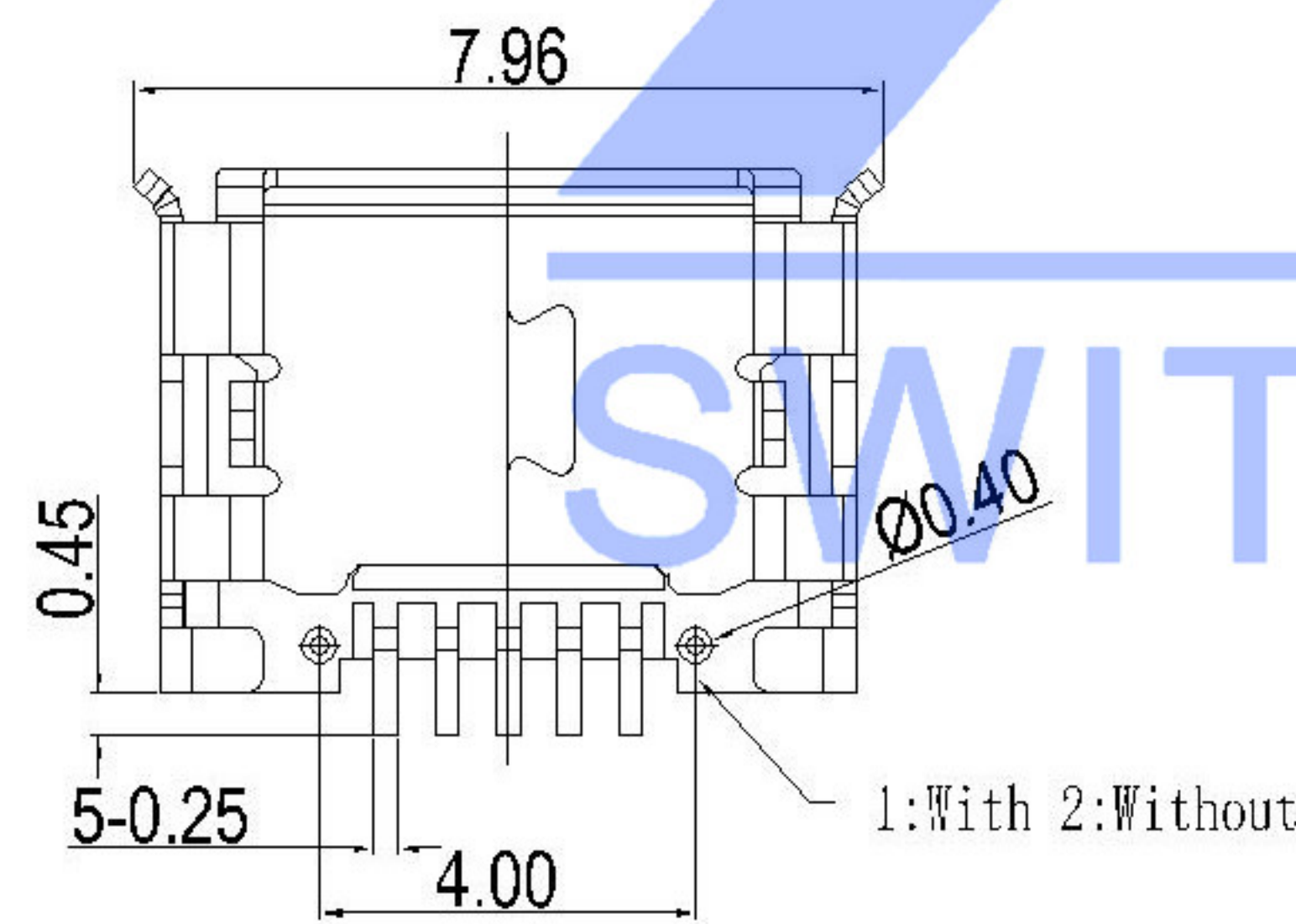
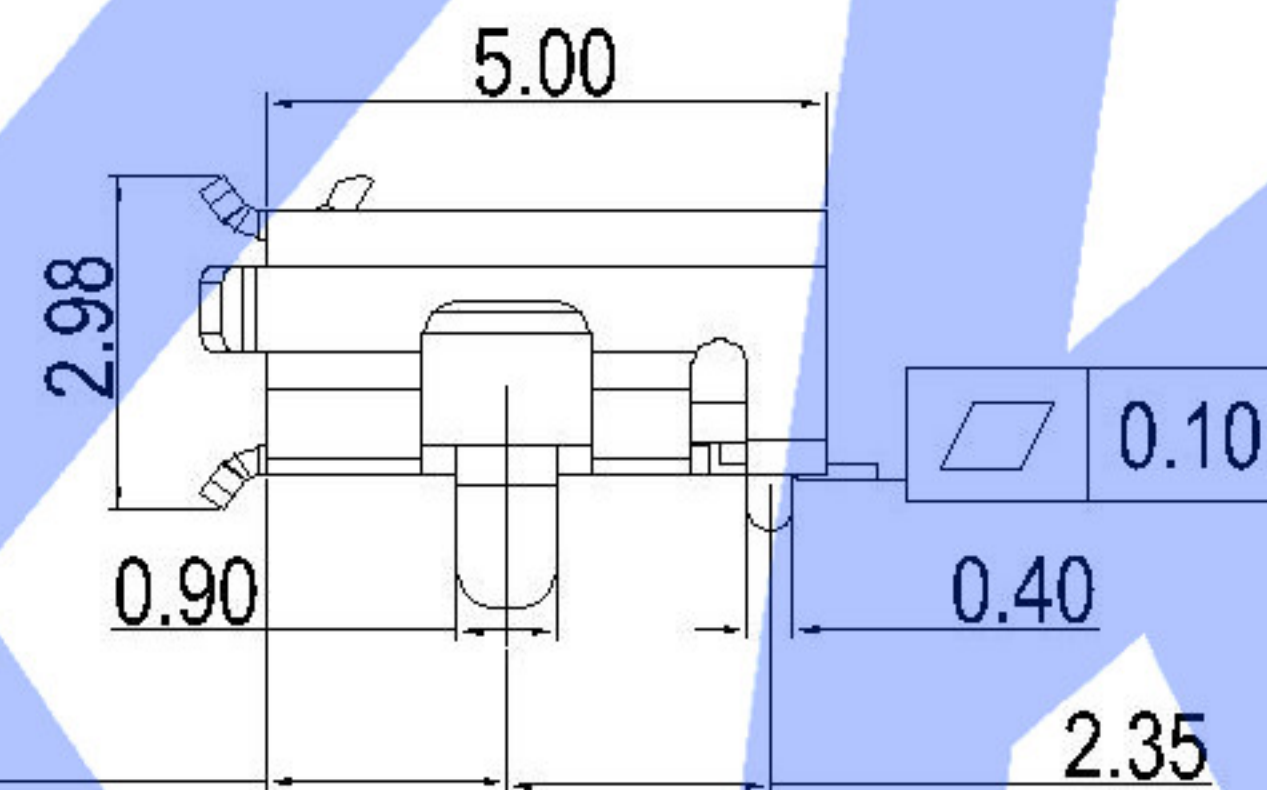
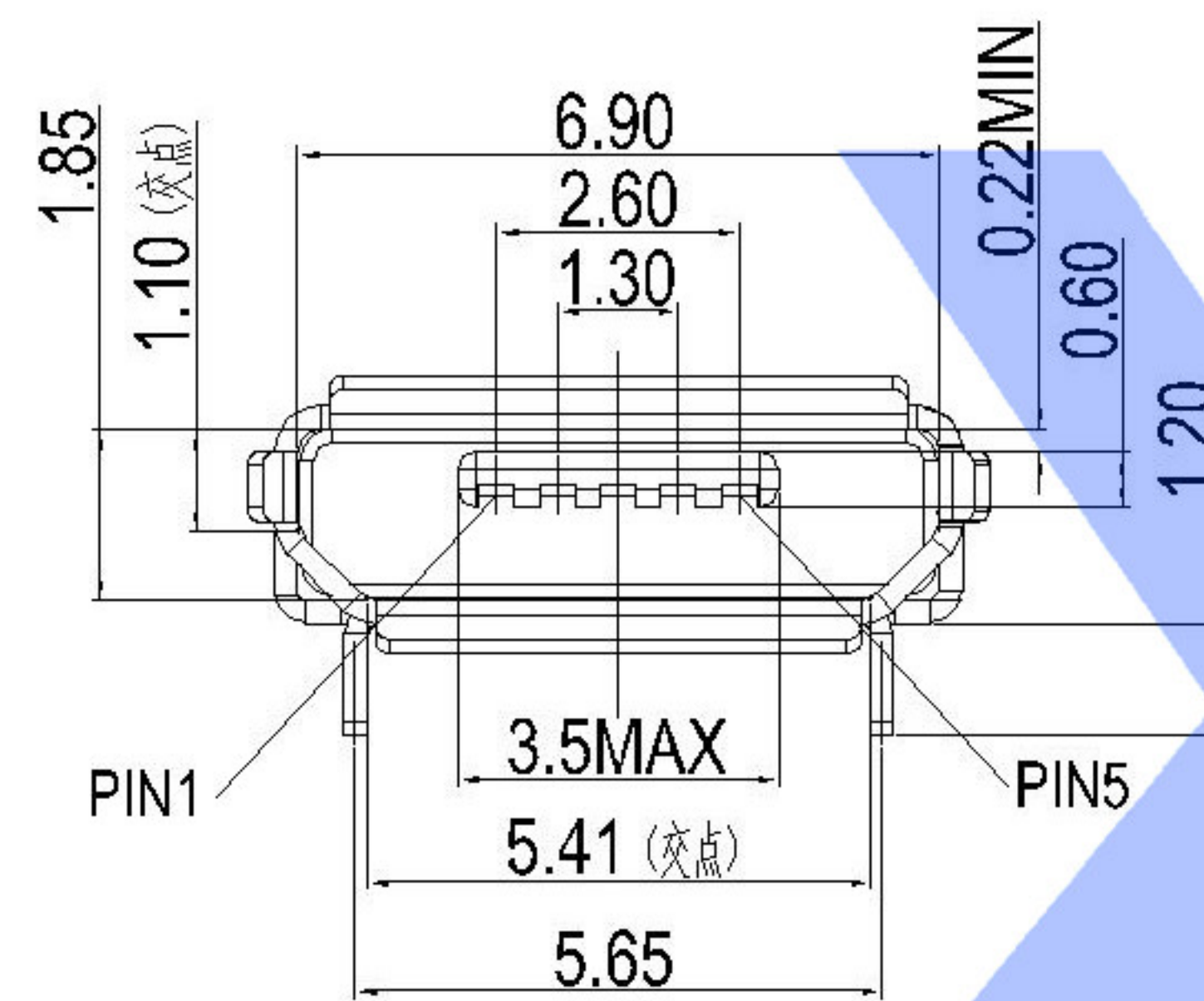


Scrolls (S)



RECOMMENDED P.C.B. LAYOUT  
TOP VIEW (TOLRANCE: ±0.05)

**Material**

Housing Material: LCP, UL94V-0, black  
Contact Terminal: Copper Alloy  
Metallic Shell: Sus

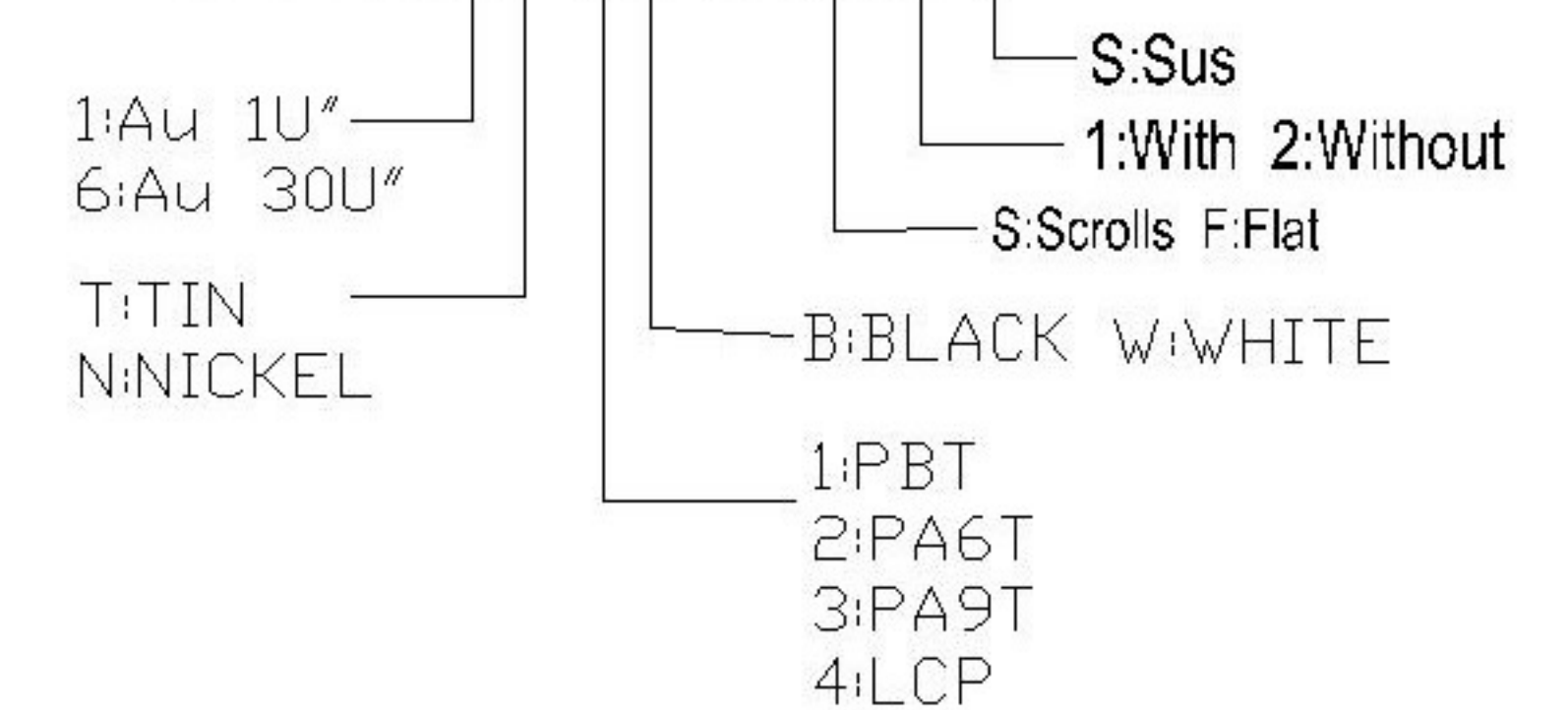
**Electrical**

Voltage Rating: 30 V AC  
Current Rating: Signal (Pins 2,3,4): 1.0A, Power (Pins 1,5): 1.8A  
Contact Resistance: 30mΩ Max  
Insulation resistance: 1000MΩ Min  
Dielectric withstanding voltage: 250V AC/Minute

**Mechanical**

Durability: 10,000 cycles  
Mating Force: 35N (3.57Kgf) Max  
Unmating Force: 8N (0.82Kgf) Min.

U254-05XX-4BH83-X-X-S



							DSND		DATE		SCALE: N/A	MODEL TYPE: MICRO USB			
△X					ANGLAR	±5°	DWN		DATE		VIEW:	PART NO.: U254-05XX-4BH83			
△X					L ≤ 4	±0.2	CHKD		DATE		UNIT: mm	DWG NO.: U254-05XX-4BH83-XXS			
△X					4 < L ≤ 16	±0.3	APPD		DATE		SIZE: A4				
MARK	DESCRIPTION	REVISIONS	DATE	REVISED	APPROVED	L > 63						WEIGHT	SHEET	REVISION	
							UNSPECIFIED TOLERANCES	XKB INDUSTRIAL PRECISION CO.,LIMITED					1.0g	1/1	A0
www.xk-dg.cn www.1k0k.com www.1k0k.cn															