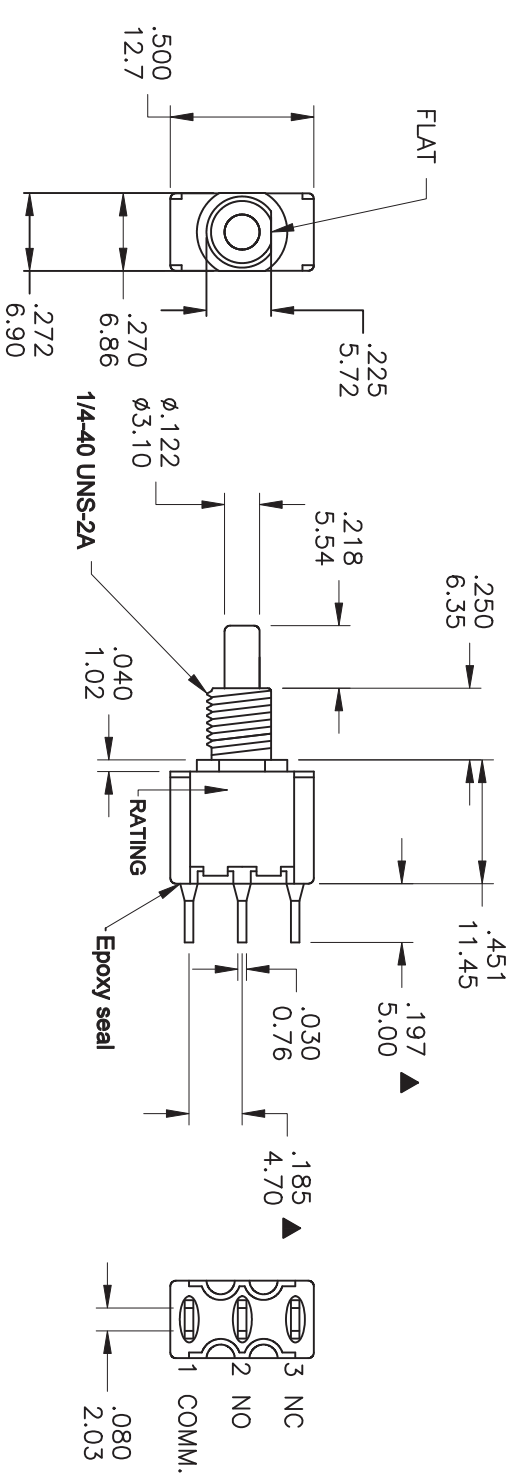


本公司智慧財產，未經同意不得複製
DAILYWELL copyright, may not be used
without permission from DAILYWELL

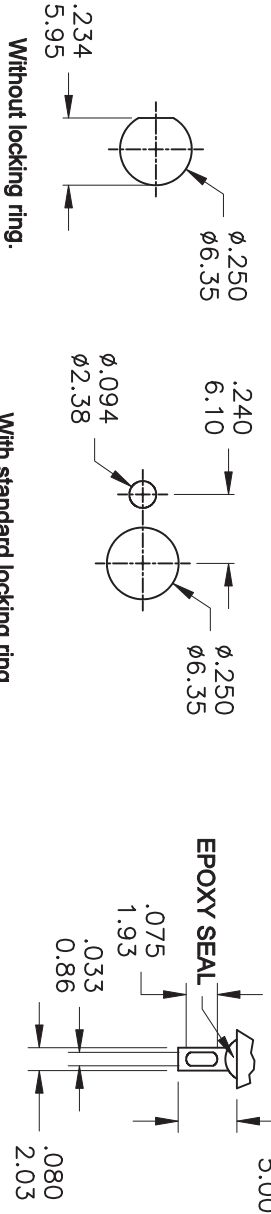
Model No.	POS. 1	POS. 2
ZMS7	ON	MOM
Term. Comm.	1-3	1-2
SCHEMATIC	1 Comm. 2 NO 3 NC	1 Comm. 2 NO 3 NC

SWITCH FUNCTION



PART NO.	PART NAME	QTY
1 MNU-1M01A	1/4 INCH NUTS	2
2 MNU-1M11	LOCKING RING	1
3 MNU-1M03	LOCKWASHER	1

FILE NAME: HARDWARE-0006



SOLDER LUG

PANEL MOUNTING

SPECIFICATIONS

MECHANICAL LIFE: 50,000 make-and-break cycles.
CONTACT RESISTANCE: 20 mΩ max. initial @ 2-4VDC
100mA for both silver and gold plated contacts.
INSULATION RESISTANCE: 1,000 MΩ min.
DIELECTRIC STRENGTH: 1,000 Vrms min. @ sea level.
OPERATING TEMPERATURE: -30°C to 85°C.

MATERIALS

CASE: Diallyl phthalate (DAP) (UL94V-0).
PLUNGER: Glass filled Nylon or Glass fill polyester.
BUSHING: Brass, nickel plated.
HOUSING: Stainless Steel.
TERMINAL/CONTACT: Silver or gold plated.
RoHS: 2002/95/EC

符號	原尺寸	修改後尺寸	變更日期
1 (A)	MNU-1M02	MNU-1M11	JUL-04-2011
2 (B)			
3 (C)			
4 (D)			
5 (E)			

SCALE (比例): 3:2

TOLERANCE (公差):
0.00 mm ± 0.25mm
0.0 mm ± 0.40mm
ANGULAR: ± 5°

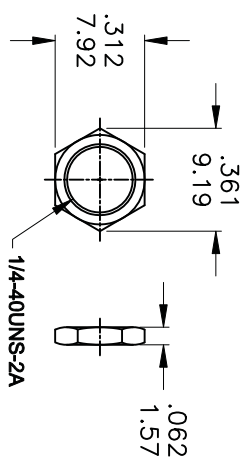
FILE NAME: 7MSP0240

CONTACT PLATING	TERMINAL PLATING	RATINGS
Q Silver	Q = Silver	3 Amps @120 VAC or 28VDC 1 Amps @250 VAC
S Silver	S = Silver, pure-1in	
C Gold over Silver	C = Gold over silver	
K Gold	K = Gold over silver, pure-1in	0.4 Volt-Amps(VA) max. @20V max. (AC or DC)
R Gold	R = Gold	
G Gold	G = Gold, pure-1in	

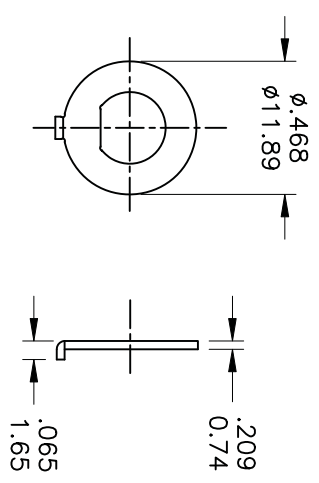
德利威電子股份有限公司
DAILYWELL ELECTRONICS CO.,LTD.

TITLE	圖名	SIZE
DWG NO.	Snap-Acting Pushbutton Switches	A4
REV.	7MSTP1B11M1QES-5	圖號
DATE	JUL - 19 - 2006	日期
CHECKED BY	RICHARD	審核
DRAWN BY	製圖	DA
SHEET	張數	1 of 1

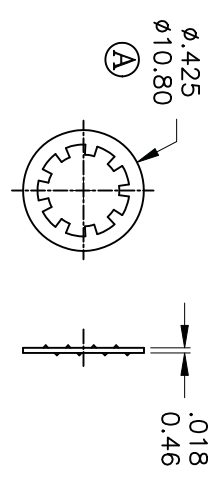
本公司智慧財產，未經同意不得複製
 DAILYWELL copyright, may not be used
 without permission from DAILYWELL



MNU-1M01A



MNU-1M11



MNU-1M03

PART NO.	PART NAME	QTY
1 MNU-1M01A	1/4 INCH NUTS	2
2 MNU-1M11	LOCKING RING	1
3 MNU-1M03	LOCKING WASHER	1



符號	原尺寸	修改後尺寸	變更日期
1 (A)	10.21(.402)	10.80(.425)	JUN-28-2010
2 (B)			
3 (C)			
4 (D)			
5 (E)			

SCALE (比例) : 3 : 2
 TOLERANCE (公差) :
 0.00 mm ± 0.25mm
 0.0 mm ± 0.40mm
 ANGULAR : ± 5°
 FILE NAME : HARDWARE-0006

德利威電子股份有限公司		DAILYWELL ELECTRONICS CO.,LTD.	
TITLE 圖名	HARDWARE		
DWG NO. 圖號	1/4 IN BUSHING PART-B5銅頭專用		
REV. 版本	B	DATE 日期	FEB - 18 - 2008
CHECKED BY 審核	RICHARD		DRAWN BY 製圖
			FION
SIZE 圖紙	A4	UNIT 單位	inch mm
SHEET 張數	1 of 1		