

## Wideband MEMS Microphone with Top Port and Analog Output

### DESCRIPTION

The ZTS6211E is a high quality, low cost, low power analog output top-ported omni-directional MEMS microphone. ZTS6211E consists of a MEMS microphone element and an preamplifier. ZTS6211E has a high SNR and flat wideband frequency response, resulting in natural sound with high intelligibility. Extra EMI filter for RF noise attenuation is built inside. Due to the built-in filter, ZTS6211E shows high immunity to EMI.

The ZTS6211E is available in a thin 3.76mm × 2.95mm × 1.1mm surface-mount package. It is reflow solder compatible with no sensitivity degradation. The ZTS6211E is halide free.

### APPLICATIONS

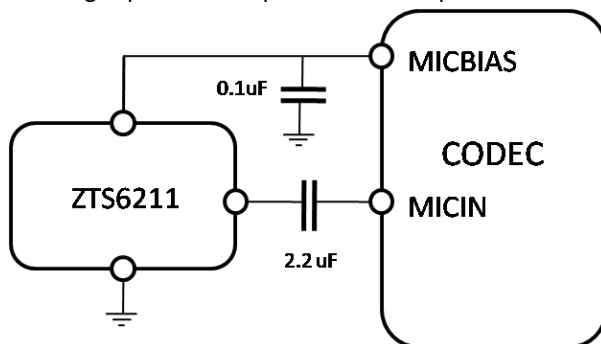
- Mobile telephones
- PDAs
- Digital video cameras
- Portable media devices with audio input

### ORDERING INFORMATION

PART	RoHS	Ship, Quantity
ZTS6211E	Yes	Tape and Reel, 5.2K

### Typical Applications

The ZTS6211E output can be connected to a codec microphone input or to a high input impedance gain stage. A dc-blocking capacitor is required at the output of the microphone



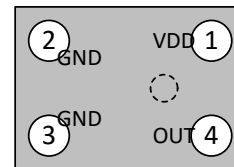
Connect to Audio Codec

### FEATURES

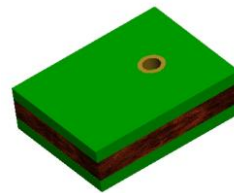
- 3.76mm×2.95mm×1.1mm surface-mount package
- Stable sensitivity over power supply range of 1.5V-3.6V
- SNR of 65dBA
- Sensitivity of -38dBV
- Low current consumption of <math><90\mu\text{A}</math>
- Multi Chip Module (MCM) Package

### Pins Configuration and Description

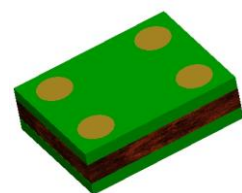
Bottom View



Top Metal Cover is GND.



Top



Bottom

Isometric Views of ZTS6211E Microphone Package

### Absolute Maximum Ratings

Supply Voltage ..... -0.5V to +4V  
 Sound Pressure Level ..... 160dB  
 Mechanical Shock ..... 10000g  
 Vibration ..... Per MIL-STD-883 Method  
 2007, Test Condition B  
 Temperature Range ..... -40°C to +100°C

**CAUTION:** Stresses above those listed in “Absolute Maximum Ratings” may cause permanent damage to the device. This is a stress only rating and operation of the device at these or any other conditions above those indicated in the operational sections of this specification is not implied.

### Electro-Static Discharge Sensitivity

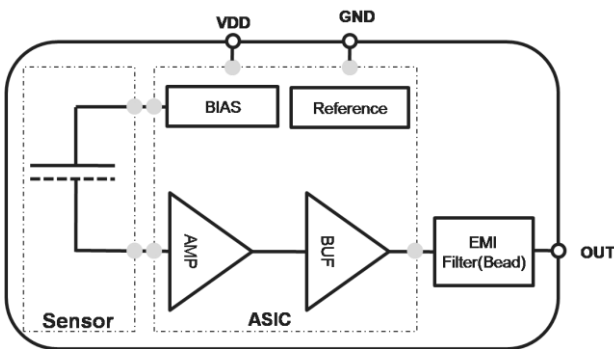


This integrated circuit can be damaged by ESD. It is recommended that all integrated circuits be handled with proper precautions. Failure to observe proper handling and installation procedures can cause damage. ESD damage can range from subtle performance degradation to complete device failure.

### Pins Description

Pin	Symbol	Description
1	VDD	Power Supply.
2,3	GND	Ground.
4	OUT	Analog output signal.

### Functional Block Diagram



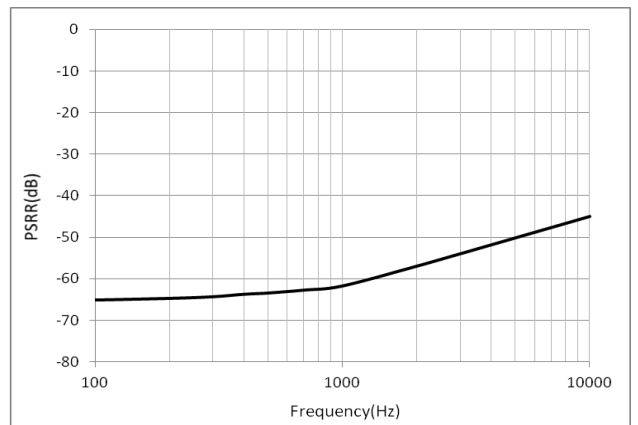
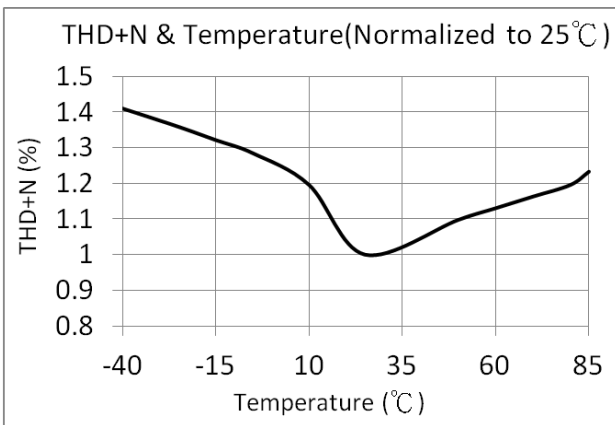
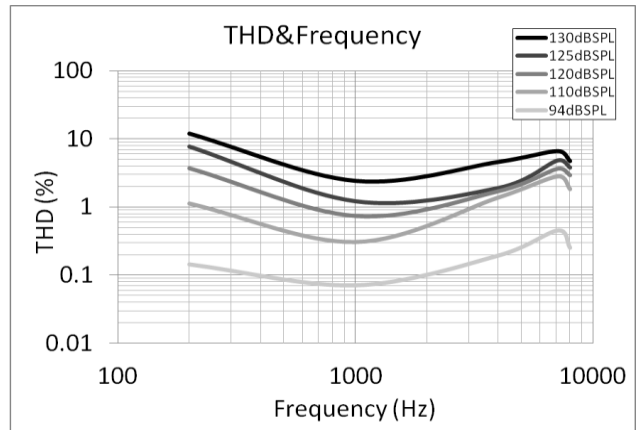
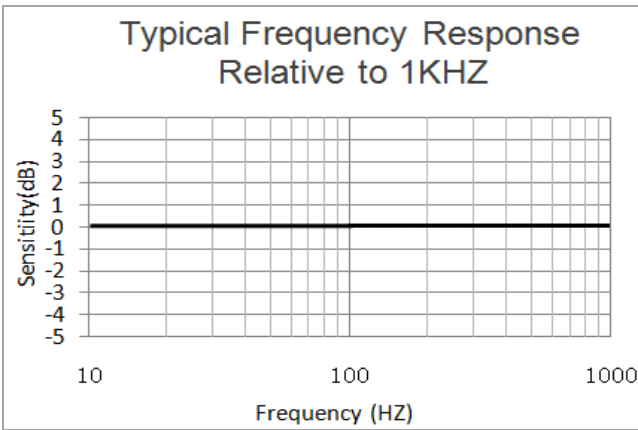
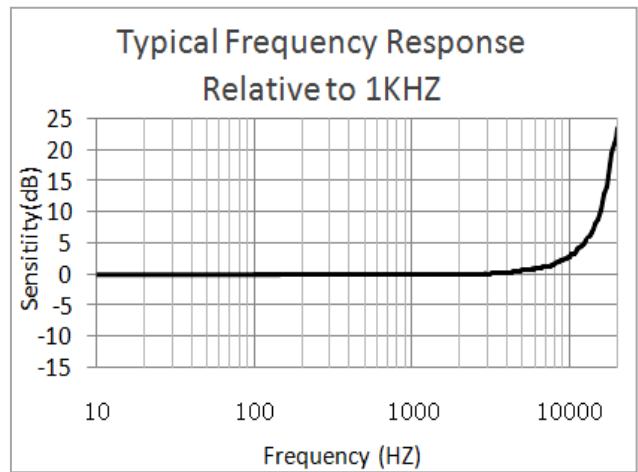
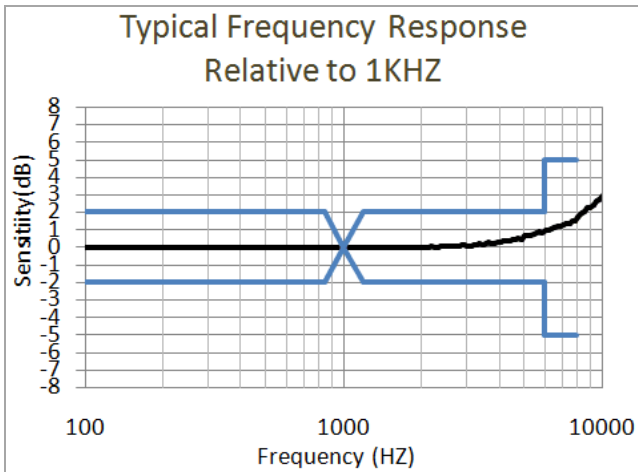
### Specifications

( $T_A = +15^\circ\text{C} \sim +25^\circ\text{C}$ ,  $V_{DD} = +1.8\text{V}$ , unless otherwise noted.)

PARAMETER	Symbol	TEST CONDITIONS	MIN	TYP	MAX	UNIT
Directivity				Omni		
Supply Voltage	$V_{DD}$		1.5		3.6	V
Current Consumption	$I_{DD}$			65	90	$\mu\text{A}$
Sensitivity (Note)		1kHz, 94dB SPL, TOLERANCE +/-1 dBV	-39	-38	-37	dBV
Signal-to-Noise-Ratio	SNR			65		dB
Equivalent Input Noise	EIN			29		dBa SPL
Total Harmonic Distortion	THD	105dB SPL			1	%
Power Supply Rejection Ratio	PSRR	217Hz, 100mV Vp-p, square wave on $V_{DD}$		65		dB
Maximum Acoustic Input				134		dB SPL
Output Impedance	Zout			200		$\Omega$
Output DC Offset				1.12		V
Output Current Limit				90		$\mu\text{A}$
Polarity				Noninverting		

Note: Base on BK sound test system.

**Typical Performance Characteristics**



### TDMA Disturbance Immunity

- 65 dB Max @500~2500MHz ( Direct RF injection test according to set figure , this set figure is based on below block diagram. )

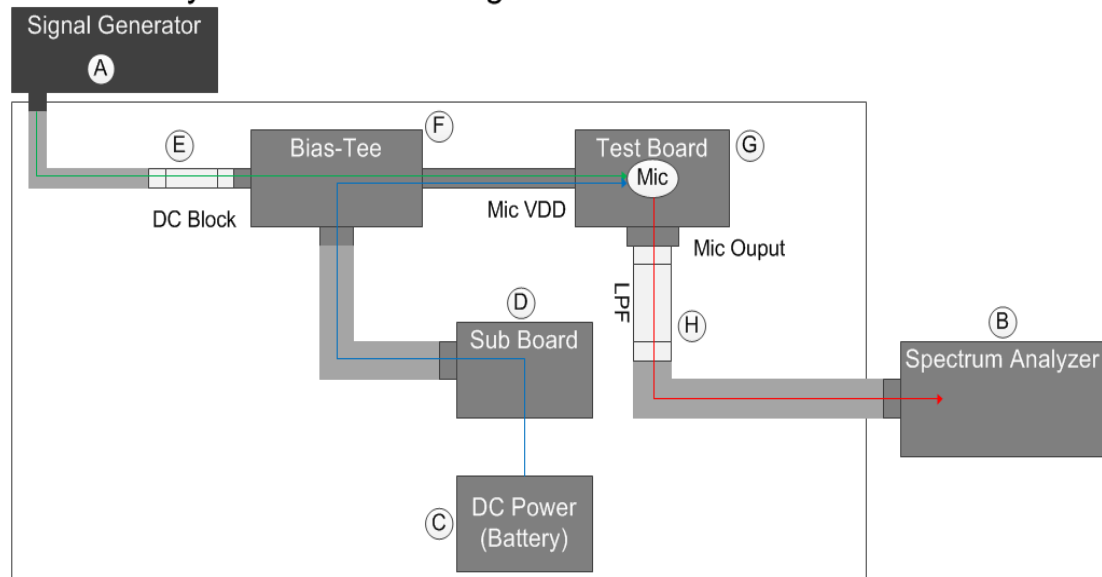
#### Instrument settings

Signal Generator

- modulation: 1 kHz, AM, depth 80%
- test frequency and amplitude from frequency/amplitude table

MHz	dBm	MHz	dBm	MHz	dBm	MHz	dBm	MHz	dBm
100	-4.08	600	-2.85	1100	-1.64	1600	-0.52	2100	0.05
200	-3.68	700	-2.61	1200	-1.33	1700	-0.29	2200	0.12
300	-3.31	800	-2.39	1300	-1.25	1800	-0.11	2300	0.27
400	-3.24	900	-2.11	1400	-1.08	1900	-0.04	2400	0.31
500	-3.09	1000	-1.84	1500	-0.86	2000	-0.01	2500	0.45

### RF Immunity Measurement Diagram



A	Signal Generator	Rode & Schwarz SMIQ 03B
B	Spectrum Analyzer	Audio Precision APx525
C	DC Power	Battery 3V
D	Sub Board with RL & Capacitor	C: 0.1uF
E	DC block	Agilent 11742A
F	Bias-Tee	Mini-Circuits ZFBT-6GW
G	Test Board	ZTS6211E EVB
H	Low pass filter (Pass band 5M~2.5GHz)	Mini-Circuits SLP-2.5, SLP-5, SLP-150, SLP-450, SLP-1200, SLP-1650

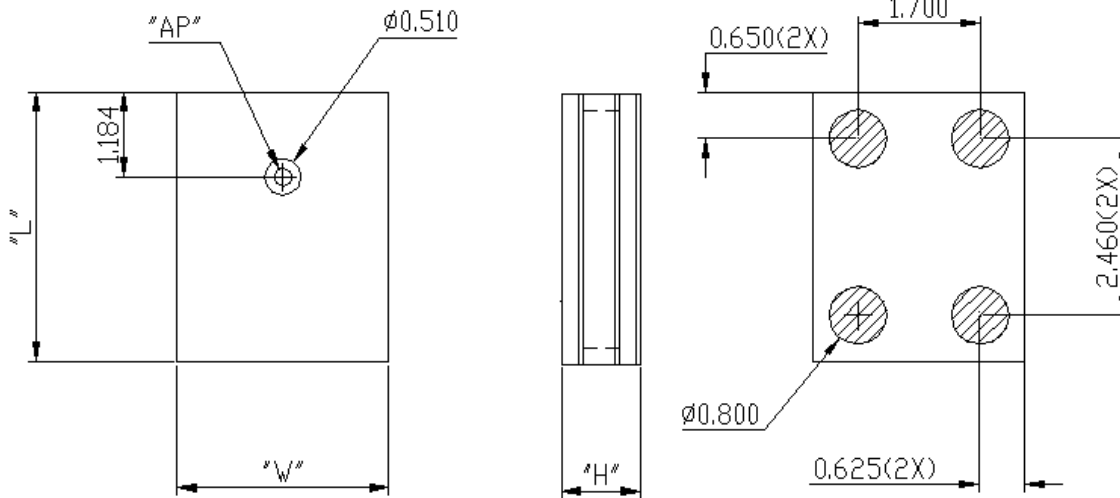
## Reliability Tests

The microphone sensitivity after stress must deviate by no more than  $\pm 3\text{dB}$  from the initial value.

1.Heat Test, Operational	Temperature: $85\pm 3^{\circ}\text{C}$ Humidity: $85\pm 5\%\text{RH}$ Duration: 12 hours Voltage: Applied
2.Cold Test, Operational	Temperature: $-40\pm 3^{\circ}\text{C}$ Duration: 12 hours Voltage: Applied
3.Heat Test, Non-Operational	Temperature: $85\pm 3^{\circ}\text{C}$ Humidity: $50\pm 5\%\text{RH}$ Duration: 96 hours Voltage: Not Applied
4.Cold Test, Non-Operational	Temperature: $-40\pm 3^{\circ}\text{C}$ Duration: 96 hours Voltage: Not Applied
5.Condensation Test, Non-Operational	Temperature: $25\pm 3^{\circ}\text{C}$ and $55\pm 3^{\circ}\text{C}$ Humidity: $95\pm 5\%\text{RH}$ Duration: 1 hours each, during 10 minutes ramp, 45 cycles Voltage: Not applied
6.Temperature Cycling, Non-Operational	Temperature: $-40\pm 3^{\circ}\text{C}$ and $85\pm 3^{\circ}\text{C}$ Humidity: $50\pm 5\%\text{RH}$ Duration: 2 hours each, during 6 hours ramp, 5 cycles Voltage: Not applied
7.Thermal Shock Test, Non-Operational	Temperature: $-40\pm 3^{\circ}\text{C}$ and $85\pm 3^{\circ}\text{C}$ Duration: 30 minutes each, during 5 minutes ramp, 256 cycles Voltage: Not applied
8.Free Fall Test 1.5m	Placed inside test fixture and dropped on concrete from height 1.5m. (1)3 times by 6 surfaces (2)1 times by 12 edges (3)1 times by 8 corners
9.Random Vibration	Temperature: $23\pm 5^{\circ}\text{C}$ Humidity: $35\sim 70\%\text{RH}$ Duration: 2 hours each axis(X,Y,Z) Power Spectral Density: 5Hz $0.10\text{m}^2/\text{s}^3(=1.0391*10^{-3}\text{g}^2/\text{Hz})$ 12Hz $2.20\text{m}^2/\text{s}^3(=22.8602*10^{-3}\text{g}^2/\text{Hz})$ 20Hz $2.20\text{m}^2/\text{s}^3(=22.8602*10^{-3}\text{g}^2/\text{Hz})$ 200Hz $0.04\text{m}^2/\text{s}^3(=0.41534*10^{-3}\text{g}^2/\text{Hz})$ 200Hz $0.04\text{m}^2/\text{s}^3(=0.41564*10^{-3}\text{g}^2/\text{Hz})$
10.Repeated Low Level Free Fall Test	Placed inside test fixture and dropped on rubber mat from height of 10cm. Each face 2500 times(Total 6 faces, 15000times)
11.1m Repeated Rotating Free Fall	Placed inside test fixture and dropped on steel sheet from height of 1.0m. 100 times(all faces) Rotation speed of barrel: 10~12 falls/minute
12.Free Fall Test for master box	Corner drop: Each Corner 1 time Edge drop: Each Edge 1 time Face drop: Each Face 1 time

13. Random Vibration for master box	Sinusoidal wave vibration Frequency: 5~50Hz Acceleration: 7.4m/s <sup>2</sup> (0.76G) Sweep speed: 9Hz/min(5~50Hz, one way 5 min) Test duration: Direction of Face 1-3 20min Direction of Face 2-4 20min Direction of Face 5-6 20min Sample and direction of vibration : 1 direction for 1 sample Package on vibrating table: Free
14. Substrate bending Test	Deflection: 3mm Rate: 0.5mm/sec
15. Adhesion	Load: 10 N Duration: 10 seconds
16. Electrostatic Discharge Test	Capacitance: 150pF Resistance: 330Ω Duration: 10 times Air Discharge: Level 3(+/-8kV) Direct contact discharge: Level 1 (+/-2kV)
17. ESD-Human Body Model	3 discharges of ±2 kV direct contact to I/O pins. (100pF, 1500Ω)
18. ESD-Charged Device Model	3 discharges of ± 500V direct contact to I/O pins.
19. ESD-Machine Mode	3 discharges of ±200 V direct contact to I/O pins.
20. Self alignment effect	Displacement: 0.15mm

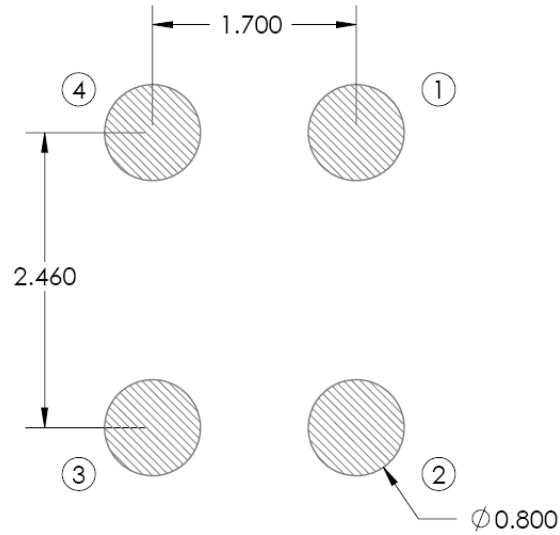
**MECHANICAL SPECIFICATIONNS**



ITEM	DIMENSION	TOLERANCE	UNITS
Length (L)	3.760	±0.100	Mm
Width (W)	2.950	±0.100	Mm
Height (H)	1.100	±0.100	Mm
Acoustic Port (AP)	ø0.500	±0.050	Mm

## RECOMMENDED CUSTOMER LAND PATTERN

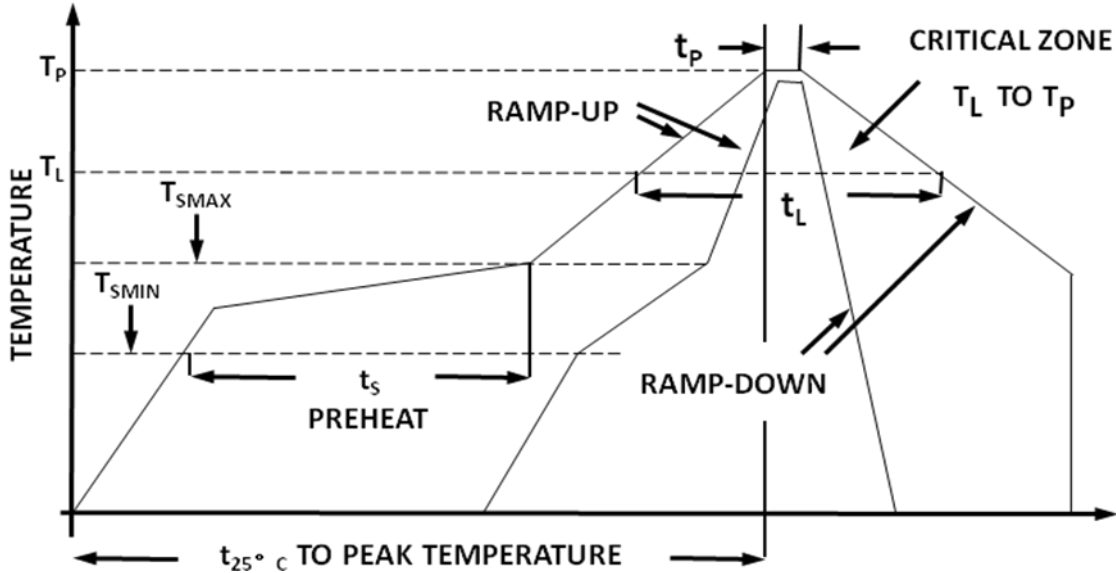
The recommended PCB land pattern for the ZTS6211E should have a 1:1 ratio to the solder pads on the microphone package. Care should be taken to avoid applying solder paste to the sound hole in PCB. The dimensions of suggested solder paste pattern refer to the land pattern **which should be shrunk by 0.025 per side**.





**SOLDER FLOW PROFILE**

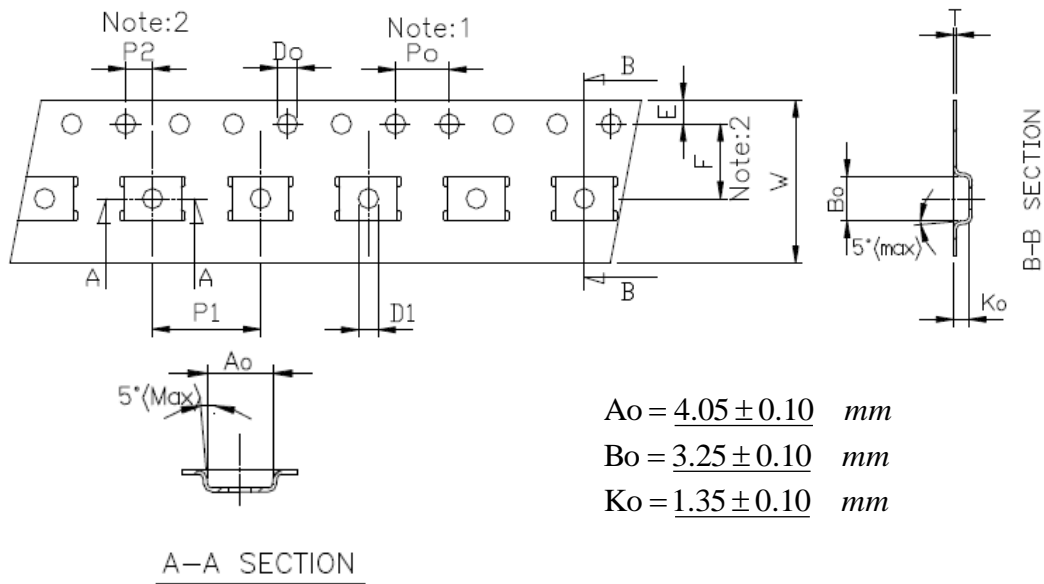
The reflow profile specified in this section describes expected maximum heat exposure of components during the reflow process of NMP product PWBs. Temperature is measured on top of component. All components have to tolerate at least this profile five times (5x) without affecting electrical performance, mechanical performance or reliability.



Pb-free and Sn63/Pb37 reflow profile requirements for soldering heat resistance:

Parameter	Reference	Pb-Free	Sn63/Pb37
Average Ramp Rate	$T_L$ to $T_P$	1.25°C/sec max	1.25°C/sec max
Preheat	Minimum Temperature	$T_{SMIN}$	100°C
	Maximum Temperature	$T_{SMAX}$	200°C
	Time	$T_{SMIN}$ to $T_{SMAX}$	60sec to 75sec
Ramp-Up Rate	$T_{SMAX}$ to $T_L$	1.25°C/sec	1.25°C/sec
Time Maintained Above Liquidous	$t_L$	50sec	60sec to 75sec
Liquidous Temperature	$T_L$	217°C	183°C
Peak Temperature	$T_P$	260°C +0°C/-5°C	215°C +3°C/-3°C
Time Within +5°C of Actual Peak Temperature	$t_p$	20 sec to 30 sec	20 sec to 30 sec
Ramp-Down Rate	$T_{peak}$	3°C/sec max	3°C/sec max
Time +25°C ( $t_{250c}$ ) to Peak Temperature		5 min max	5 min max

**PACKAGING**

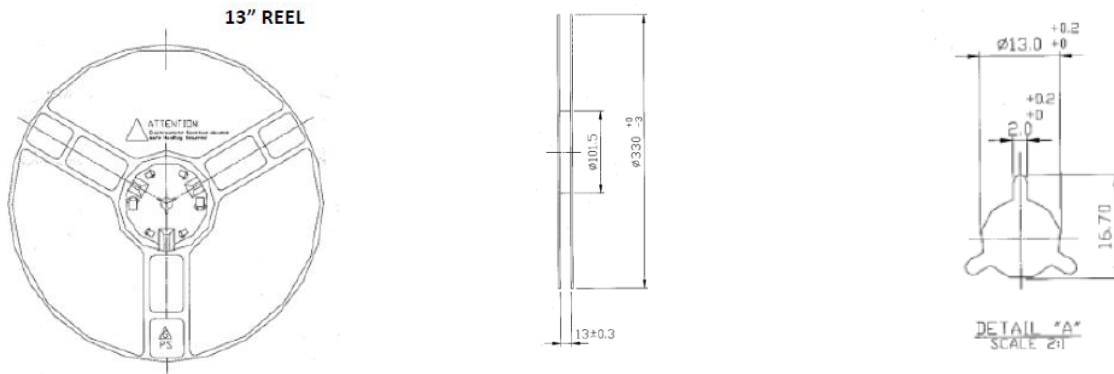


Unit : mm

Symbol	Spec.
K1	-
P <sub>o</sub>	4.0 ± 0.10
P1	8.0 ± 0.10
P2	2.0 ± 0.05
D <sub>o</sub>	1.55 ± 0.05
D1	1.50 (MIN)
E	1.75 ± 0.10
F	5.50 ± 0.05
10P <sub>o</sub>	40.0 ± 0.10
W	12.0 ± 0.20
T	0.30 ± 0.05

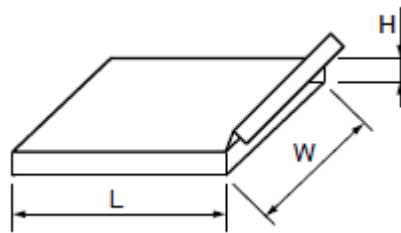
**Notice :**

- 10 Sprocket hole pitch cumulative tolerance is ± 0.1mm.
- Pocket position relative to sprocket hole measured as true position of pocket not pocket hole.
- A<sub>o</sub> & B<sub>o</sub> measured on a place 0.3mm above the bottom of the pocket to top surface of the carrier.
- K<sub>o</sub> measured from a plane on the inside bottom of the pocket to the top surface of the carrier.
- Carrier camber shall be not that 1mm per 100mm through a length of 250mm.



Part NO.	Reel Diameter	Quantity Per Reel	Quantity Per Inner Box	Quantity Per Outer Box
ZTS6211E	13"	5,200	5,200	46,800

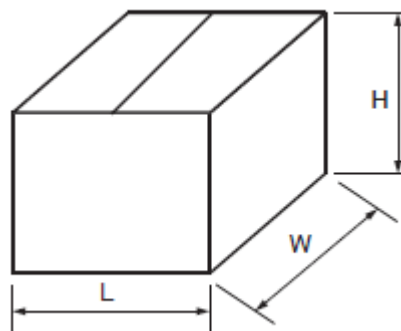
**Dimensions for Inner Box**



Unit : mm

L	W	H
335	339	45

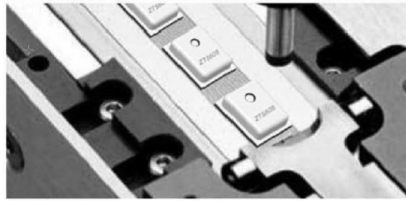
**Dimensions for Outer Box**



Unit : mm

L	W	H
445	360	372

## Pick and place guidelines of process



### Rules of cleaning

Due to Clean the PCBA gap will make MEMS Mic. unit work improperly, please do not clean it by way of ultrasonic or use any cleaning solution to wash the soldered MEMS Mic. unit. If the PCB need to be cleaned, please seal with a tape on the both side of the acoustic hole to avoid foreign material and liquid invaded.

MEMS Mic. is a electro-acoustic component which rely on its diaphragm vibrate in response to sound pressure, so that the sound pressure can be converted to electrical signals; Base on the above , If any cleaning liquid inject the Mic. unit, the vibrate spacing of the diaphragm would be constrained. As a result of that, if the diaphragm cannot vibrate well, it will make the output signal smaller or even no output.

### Rules of the pressure of vacuum nozzle

If the Vacuum nozzle pressure is much more on the metal cap, it will directly affect the displacement of the diaphragm structure. When the displacement pressure is greater than the Max input sound pressure, the diaphragm will be damaged or cracked.

Note that Vacuum nozzle pressure cannot greater than 7PSI.

1K Pa = 0.145 pounds (lb / in2) = 0.0102 KGF / CM2 = 0.0098 atm.

### Rules of protection measurement

- 1 · Please do not let the vacuum nozzle suck the microphone acoustic hole.
- 2 · Do not vacuum the anti-static bag when repackaging the MEMS Mic..
- 3 · Do not blow the acoustic hole when cleaning the PCBA with air gun.

### Rules of the placement of vacuum nozzle

When pick and place the Mic. unit, the SMT Vacuum Tube should be placed in the center of the left and right sides of Mic. unit and keeps 0.5mm from the edge of the acoustic hole.

This pick and place guidelines can apply to all series of ZillTek Top-Port MEMS Mic. products.

