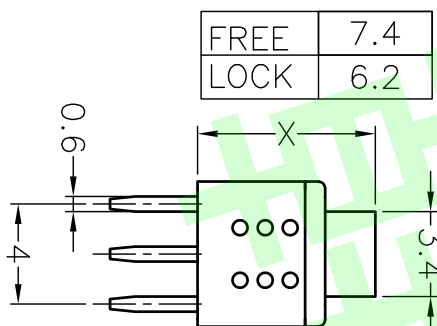
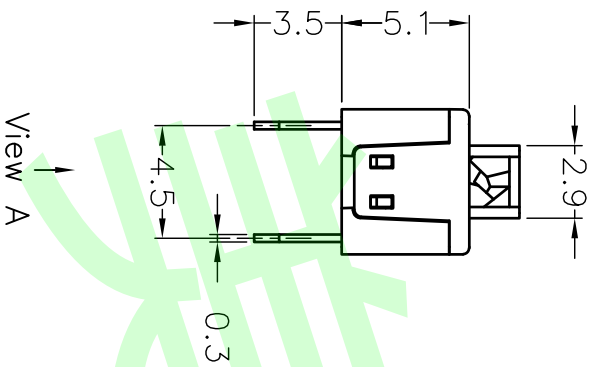
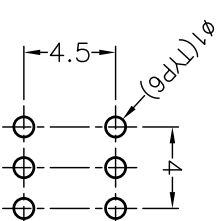
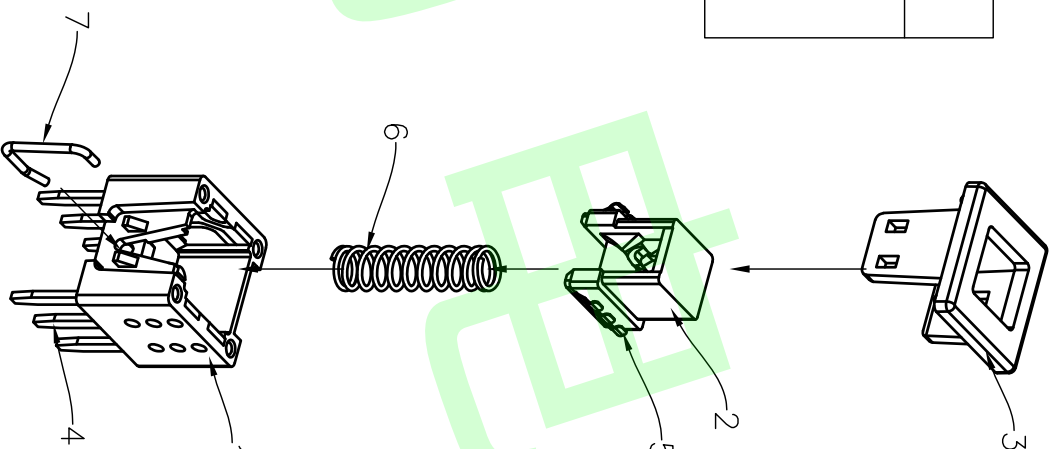


FREE	LOCK
1 2 3	1 2 3
4 5 6	4 5 6

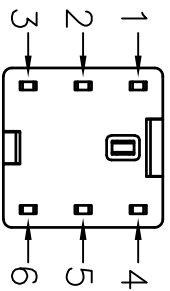
SPECIFICATION	
1.环境温度(Operating Temp)	-20℃~+80℃
2.相对湿度(Working Humidity)	5%~35%
3.额定规格(Rated Value)	DC50V/30mA
4.接触电阻(Contact Resistance)	100mΩ max
5.绝缘电阻(Insulation Resistance)	100MΩ min
6.耐受电压(Withstand Voltage)	250Vac/60S
7.动作力(Operating Force)	250±50gf
8.使用寿命(Operating Life)	100,000 cycle



FREE	7.4
LOCK	6.2



PCB LAYOUT



View A  
Scale 1:1

7	Crochet Hook	1PCS	Carbon Steel
6	Spring	1PCS	Carbon Steel
5	Contact Chip	2PCS	Silver-Coated Copper
4	Terminals	6PCS	Copper plated Silver
3	Panel	1PCS	LCP Natural Color
2	Keypad	1PCS	LCP Black
1	Housing	1PCS	LCP Black
序号 NO.	零件名称 PART NAME	数量 QTY	材质 MATERIAL

东莞市美韩电子科技有限公司  
Dongguan Usakro Electronic Technology Co., Ltd.

普通公差  
common tolerance:

0~5±0.15;  
5~10±0.3;  
10~30±0.5;

角度angular:  
±0.5°;

制图 DRAWN	JEFF	日期 DATE	2018-7-18	审核 CHECKED	JEFF	核 准 APPROVED	JEFF	单 位 UNIT	mm	比 例 SCALE	free	尺 寸 SIZE	A4
-------------	------	------------	-----------	---------------	------	-----------------	------	-------------	----	--------------	------	-------------	----

品名Title: 平头无锁开关

Self-locking Push Switch

料号Part NO.

UK-G0702-WS-Y