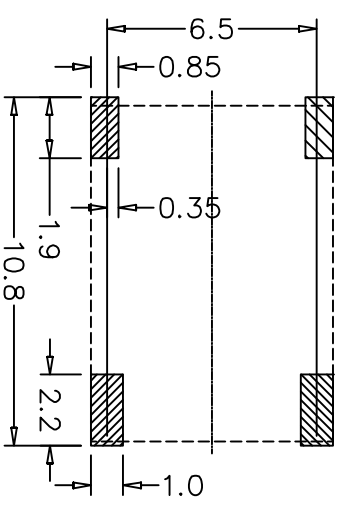
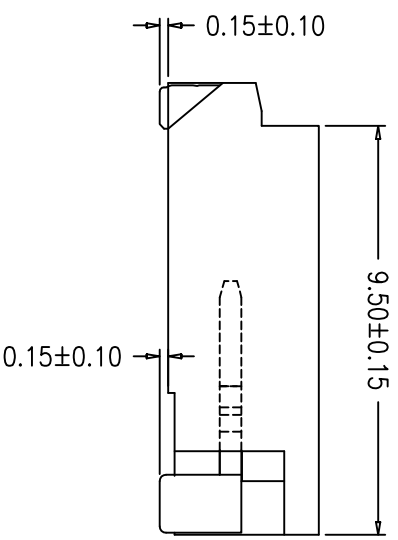


REV.	DATE	ECN NO.	MODIFICATION	APPROVER
A	2009/09/15	/	NEW	Vicky

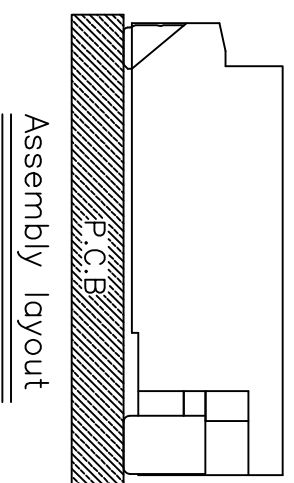
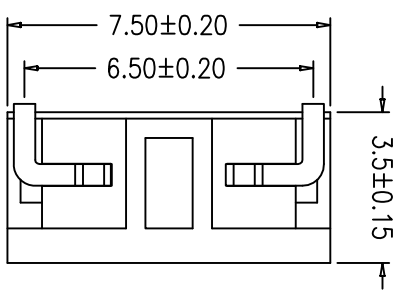
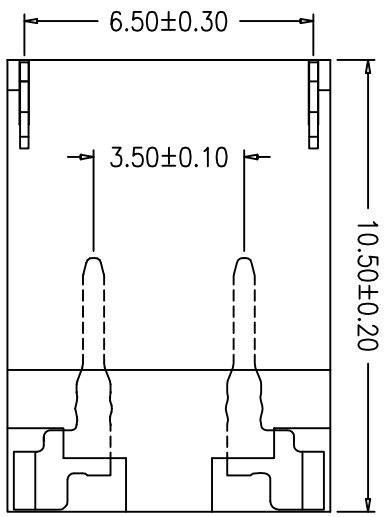
**SPECIFICATIONS**

Pitch: 3.5  
 Poles: 2  
 Applicable wire: AWG#32~#28  
 Voltage rating: AC, DC, 100V (100HZ)  
 Current rating: 1.0A, AC, DC  
 Withstand voltage: 800V AC/minute  
 Working temperature: -25°C~+85°C  
 Insulation resistance: ≥500MΩ  
 Contact resistance: ≤0.01Ω  
 Applicable PC board thickness: 0.8mm

**Material**  
 Wafer: PA9T, UL94V-0  
 Pin: Brass  
 Terminal: Brass



P.C.B Layout



Assembly layout

GENERAL TOLERANCE			UNITS		NAME:		TITLE:	
SELECT	✓		mm		WF	<b>ATOM</b>		深圳市爱特姆科技有限公司 SHENZHEN ATOM TECHNOLOGY CO., LTD.
TOL	1	2			PART NO:	WF35002-16***		
ON	X.XXX	±0.08	±0.15		FINISH	QTY		
	X.XX	±0.15	±0.13	±0.25	APPD:	Vicky		
	X.X	±0.25	±0.25	±0.50	CHKD:	Amy		
	X.	±0.30	±0.38	±1.00	DR:	Iris		
ANGLE	±2°							
DWG NO.			SCALE		SHEET		REV	
ATOM-A01337			1:1		1/1		A	