

**HY602403E**

**Electrical Specification @25°C**

RoHS Compliant (PB Free)

Operating Temperature Range: -40°C ~ +85°C

Isolation: 1500Vrms 0.5mA 60sec (Primary to Secondary)

OCL: 350uH Minimum @100KHz 100mV with 20mADC

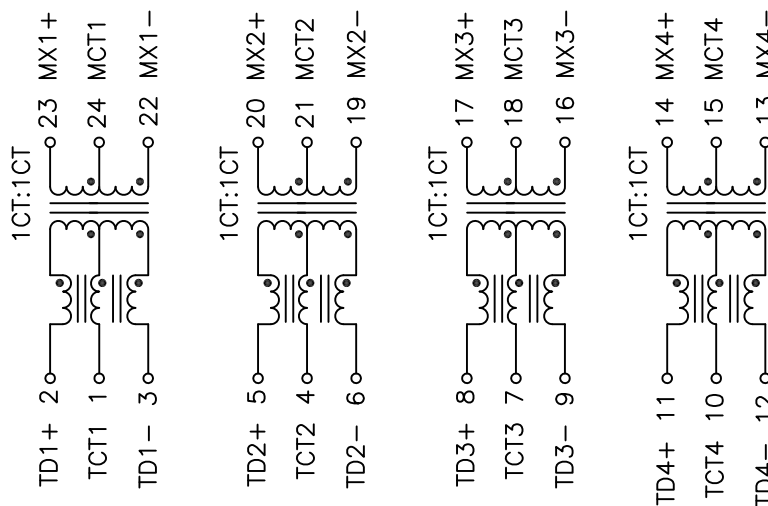
Insertion Loss: -1.2dB Maximum @0.1MHz / -1.2dB Maximum @100MHz  
-2.0dB Maximum @125MHz

Return Loss: -16dB Minimum @30MHz / -10dB Minimum @60MHz  
-10dB Minimum @80MHz / -8dB Minimum @100MHz

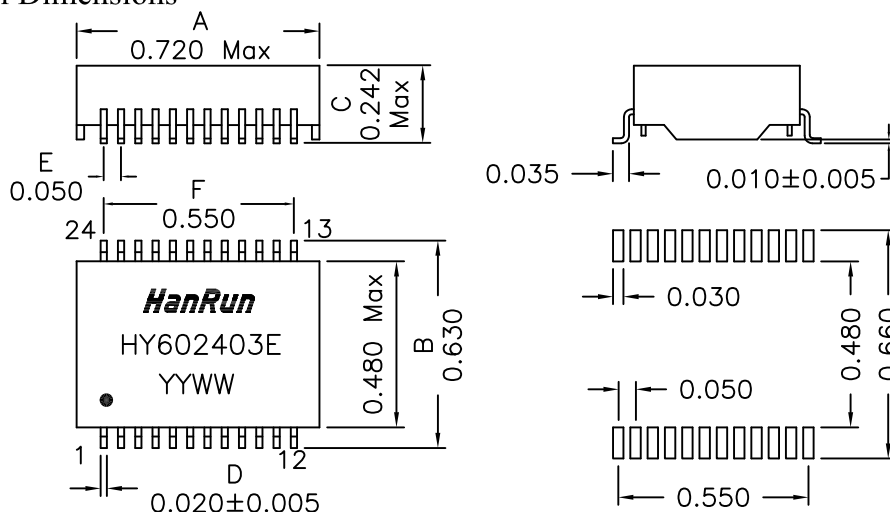
Crosstalk: -35dB Minimum @30MHz / -30dB Minimum @60MHz / -25dB Minimum @100MHz

Current Capability: 800mA

**Schematics**



**Mechanical Dimensions**



Dimensions in inches

Unless otherwise specified, Tolerance: .xxx ±0.010

REV.: 01

(SUGGESTED PCB PAD LAYOUT)