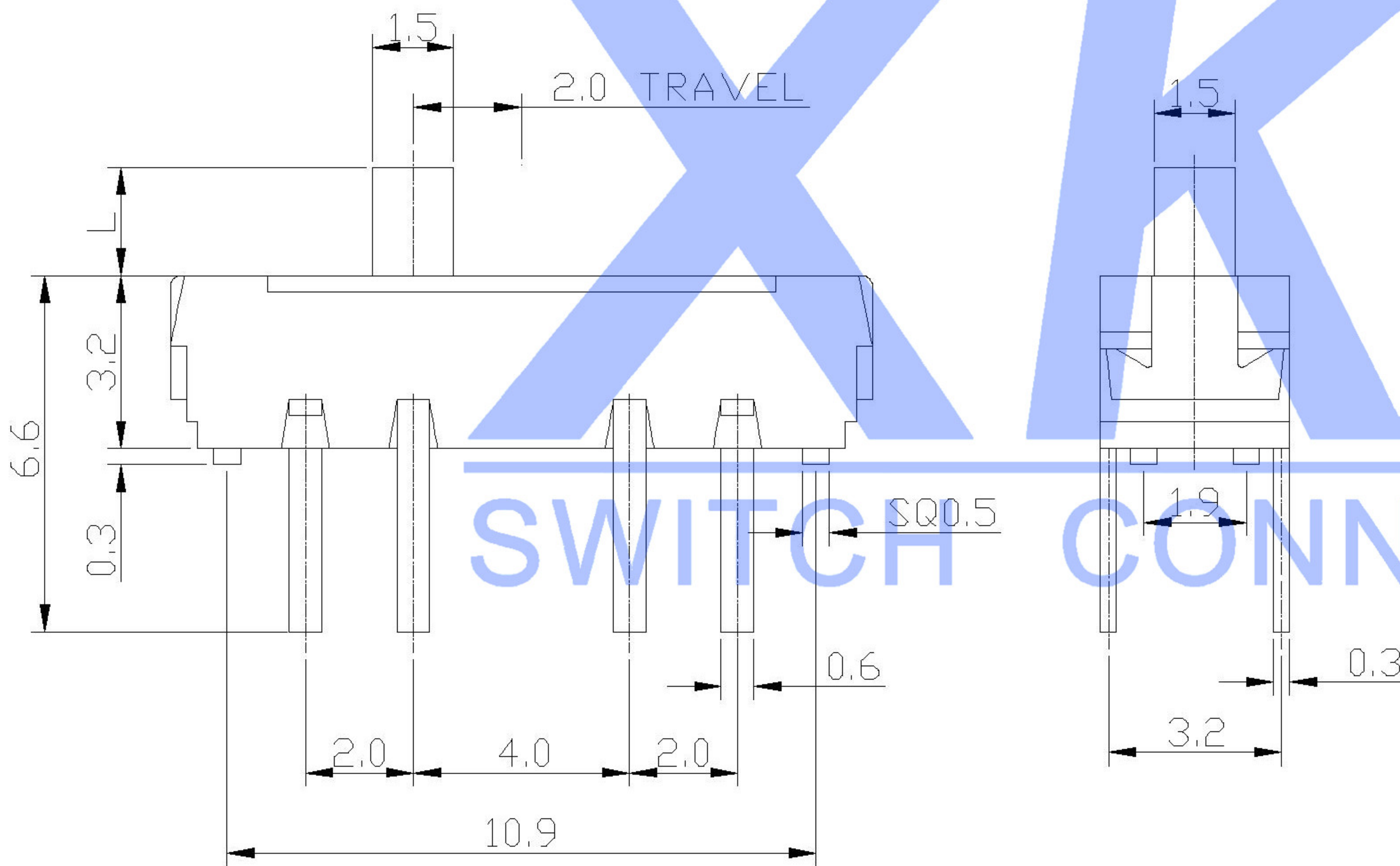


SCHMATIC

NOTE:

Rating: DC 12V 50mA  
 Operating Force: 200±100gf  
 Lifetime: 10,000 Cycles

PAPT NO	L
SS-3336D-02-L1	2.0
SS-3336D-02-L2	3.0
SS-3336D-02-L3	4.0



ITEM	PAPT NAME	TER,NO	QTY	MATERIAL	FINISHING	REMARK
⑤	Terminal	—	8	Brass (0.30t)	ag Plated	
④	Contact spring	—	1	Phosphor branze	ag Plated	
③	Base	—	1	Pa46	Black	
②	Cover	—	1	Sus	Natural	
①	Keystake	—	1	Pa46	Black	

MARK	DESCRIPTION	DATE	REVISED	APPROVED	UNSPECIFIED TOLERANCES	DSND	DATE	SCALE: N/A	MODEL TYPE: SLIDE SWITCH
ΔX					ANGLAR ±5°	DWN	DATE	VIEW:	PART NO.:
ΔX					X.X ±0.2mm	CHKD	DATE	UNIT: mm	DWG NO.:
ΔX					X.XX ±0.1mm	APPD	DATE	SIZE: A4	SS-3336D-02-X
					X.XXX ±0.05mm				WEIGHT 1.0g
									SHEET 1/1
									REVISION A0