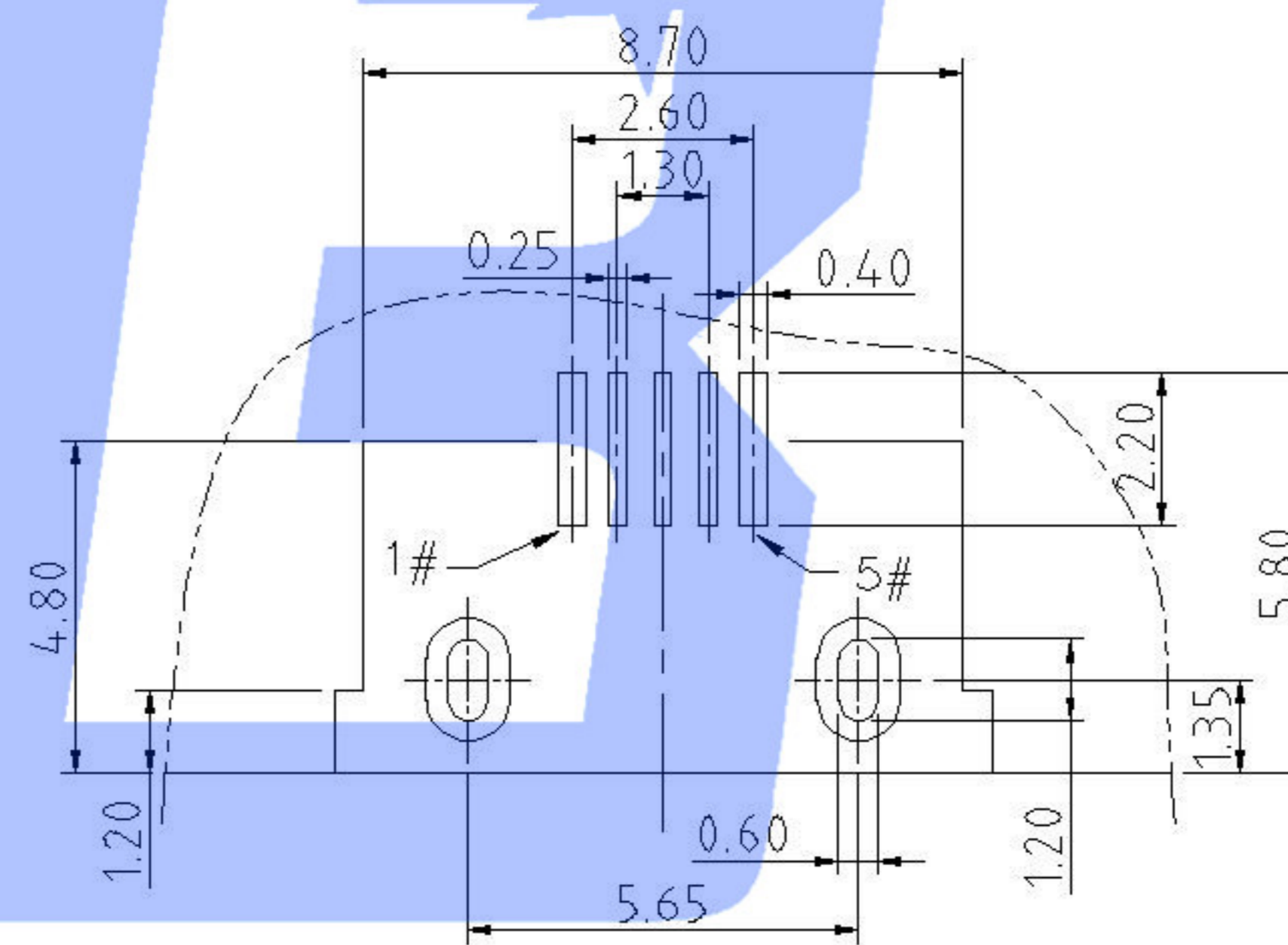
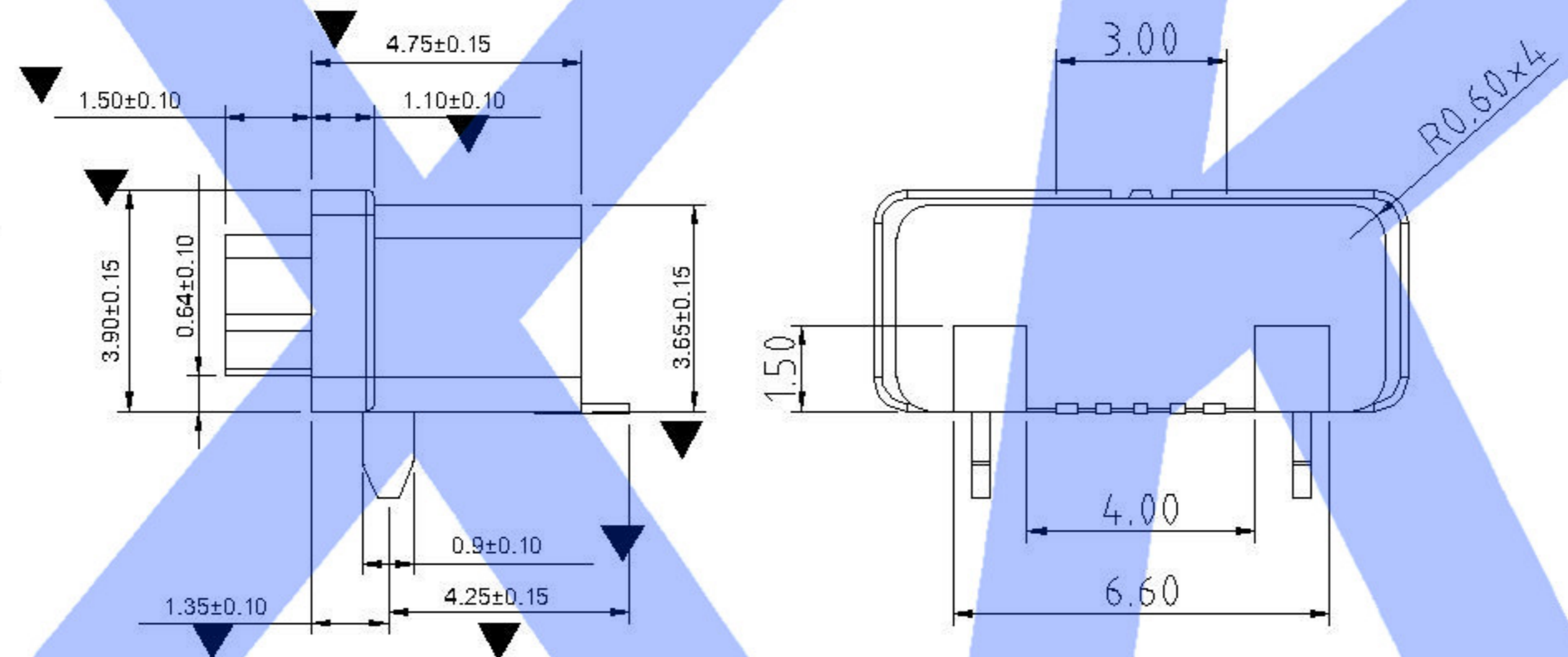
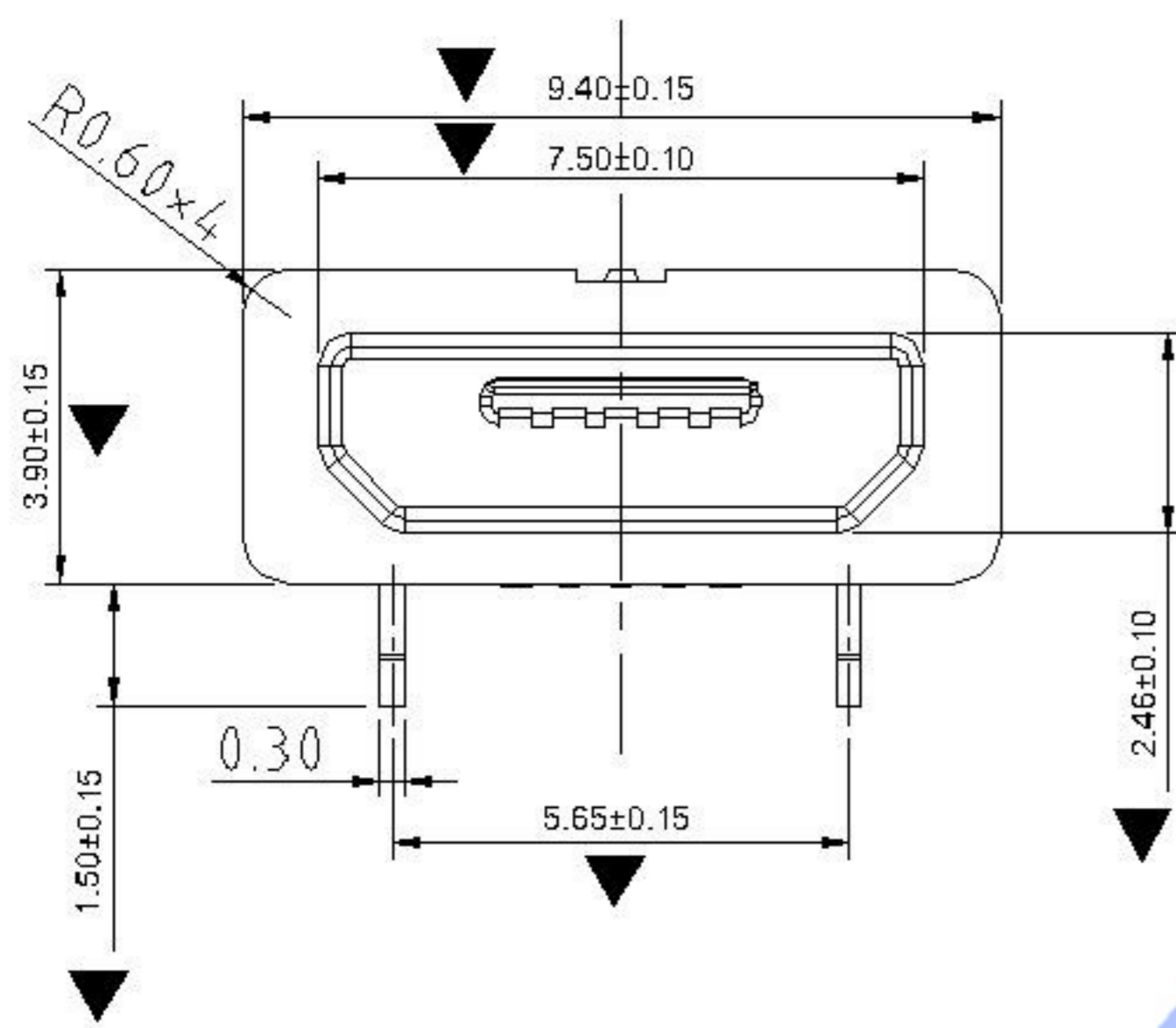
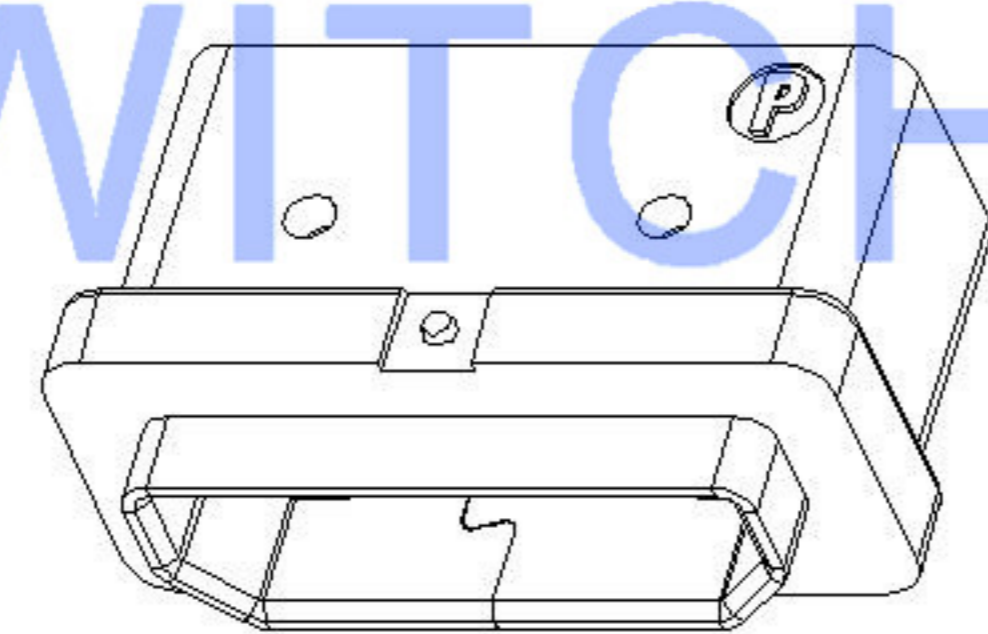
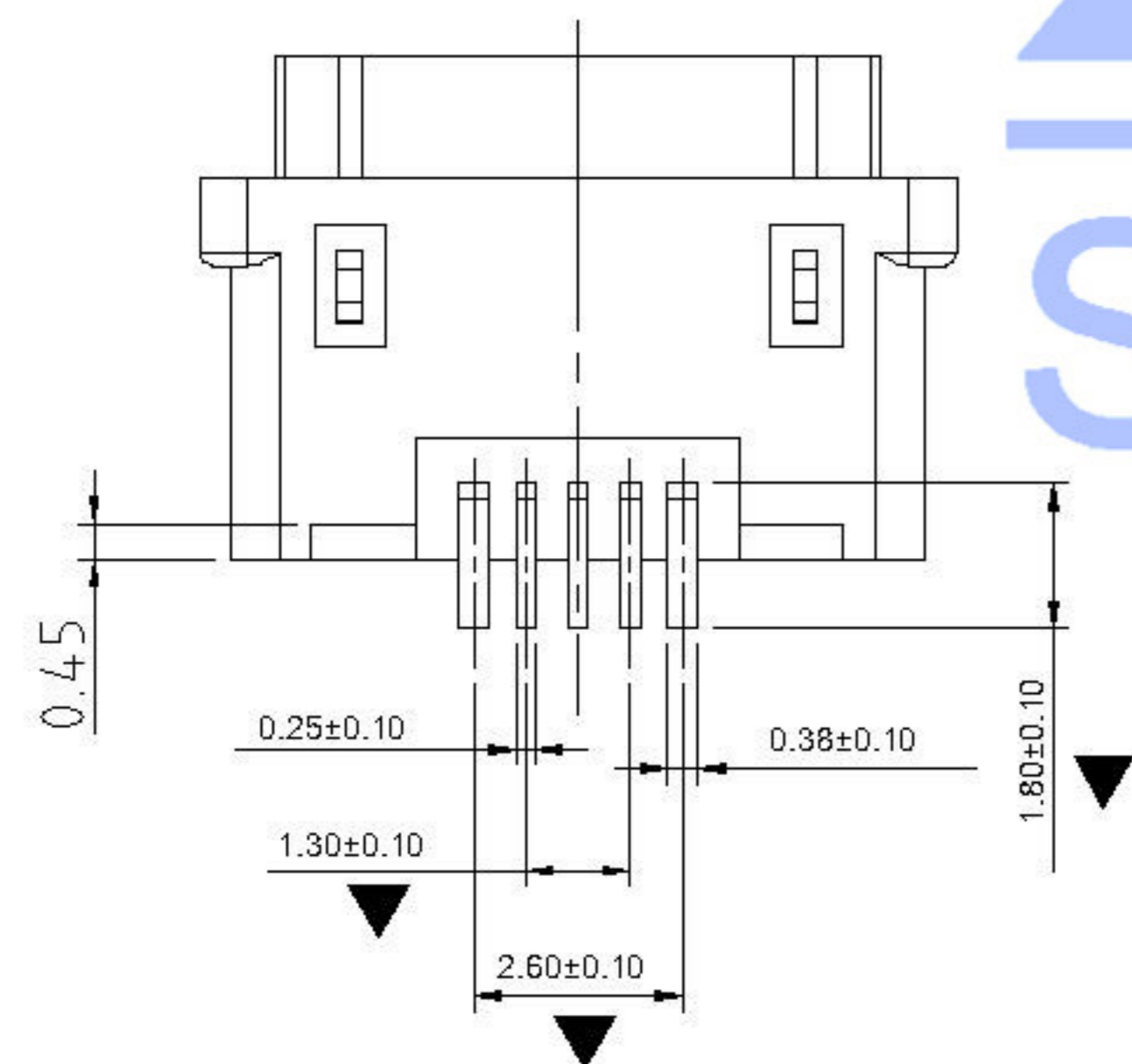


组装示意图



P.C.B LAYOUT



SWITCH CONNECTOR

Notes:

1. Dimension shall be interpreted per ASME Y14.5M1994.
2. Dimension marked ▽ & ▼ should be checked by Q.C. and process, engineers and ▽ should also check the CPK data.

Specification:

1. Current Rating: 2.0 AMP
2. Voltage Rating: 30V AC,DC
3. Dielectric Strength: 500V AC RMS for 1 minute.
4. Contact Resistance: 30 mΩ Max.
5. Insulator Resistance: 500M Ω Min. AT 250V DC.
6. Mating/Unmating cycles: 2000cycles
7. Temperature: -20°C to +60°C

ITEM	PART NAME	Q' TY	FINISH	NOTE
3	Shell	1	SUS304R-1/2H Ni Plating T=0.30mm (3U)	
2	Contact	5	Phosphor bronze C5191R-EH Au/Ni Plating T=0.20mm (1U)	
1	Housing	1	PA9T&LCP (G.F30%)	

MARK	DESCRIPTION	DATE	REVISED	APPROVED	UNSPECIFIED TOLERANCES	DSND	DATE	SCALE: N/A	MODEL TYPE: USB		
△X					ANGLAR ±5°	DWN	DATE	VIEW:	PART NO.: U-E-M5SS-W-3		
△X					L ≤ 4 ±0.2	CHKD	DATE	UNIT: mm	DWG NO.: U-E-M5SS-W-3		
△X					4 < L ≤ 16 ±0.3	APPD	DATE	SIZE: A4			
					16 < L ≤ 63 ±0.4						
					L > 63 ±0.5						
						XKB INDUSTRIAL PRECISION CO., LIMITED			WEIGHT 1.0g	SHEET 1/1	REVISION A0