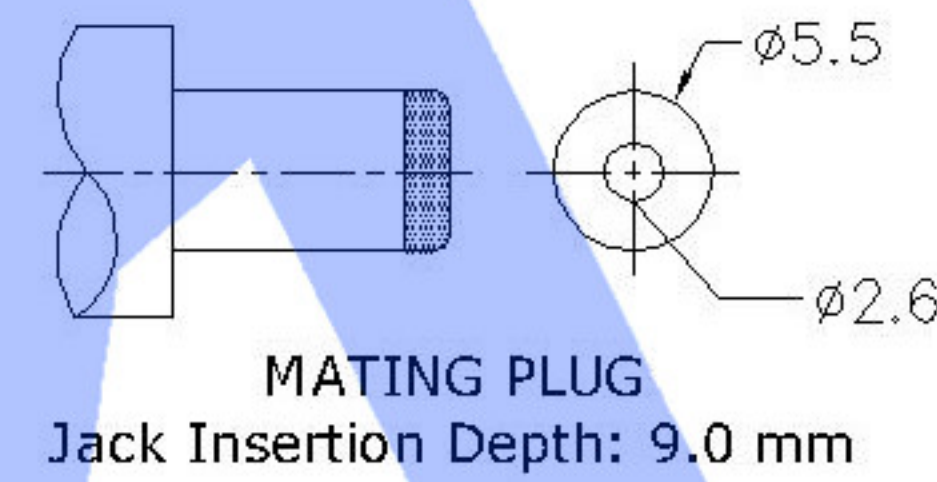
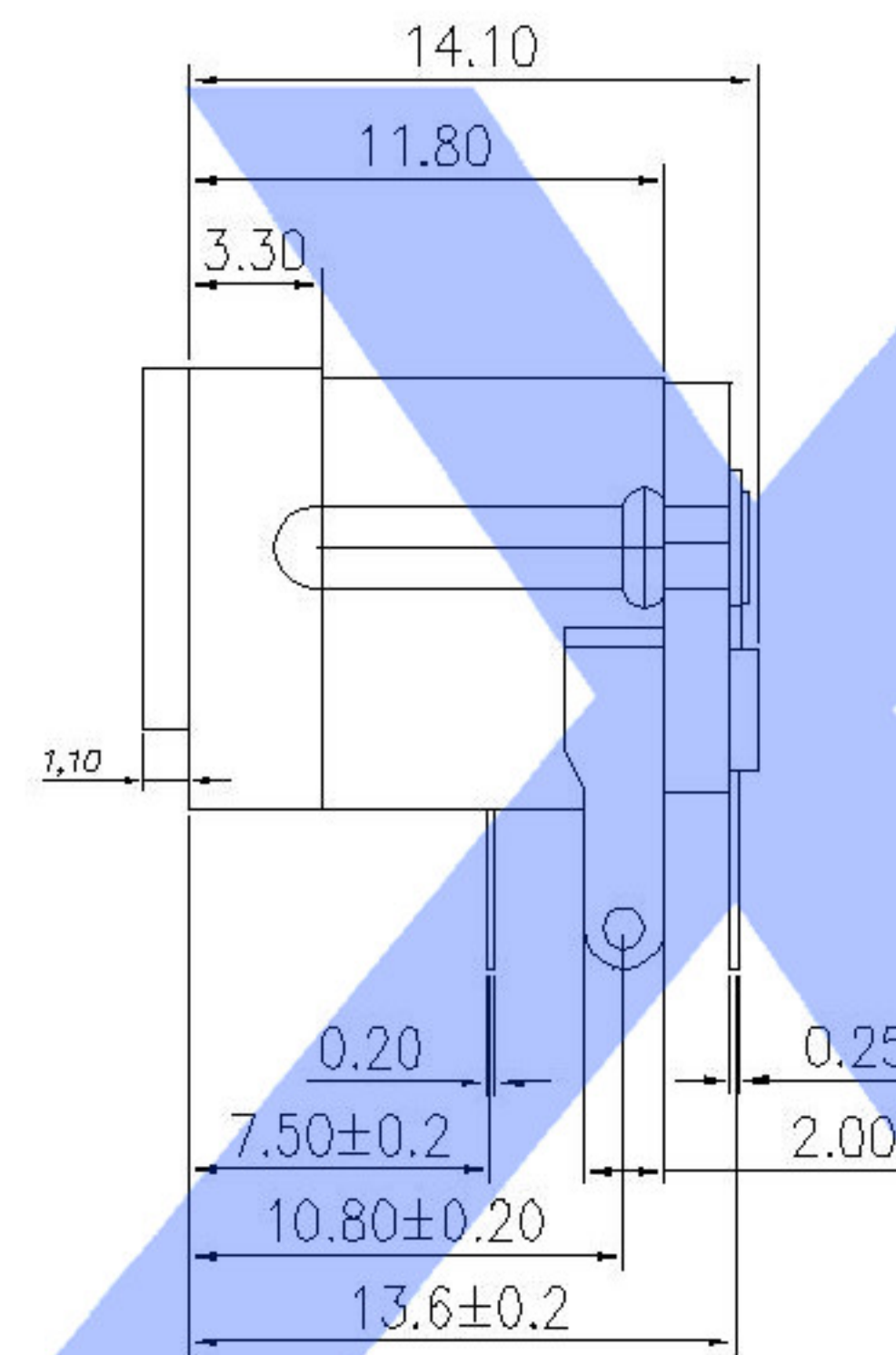
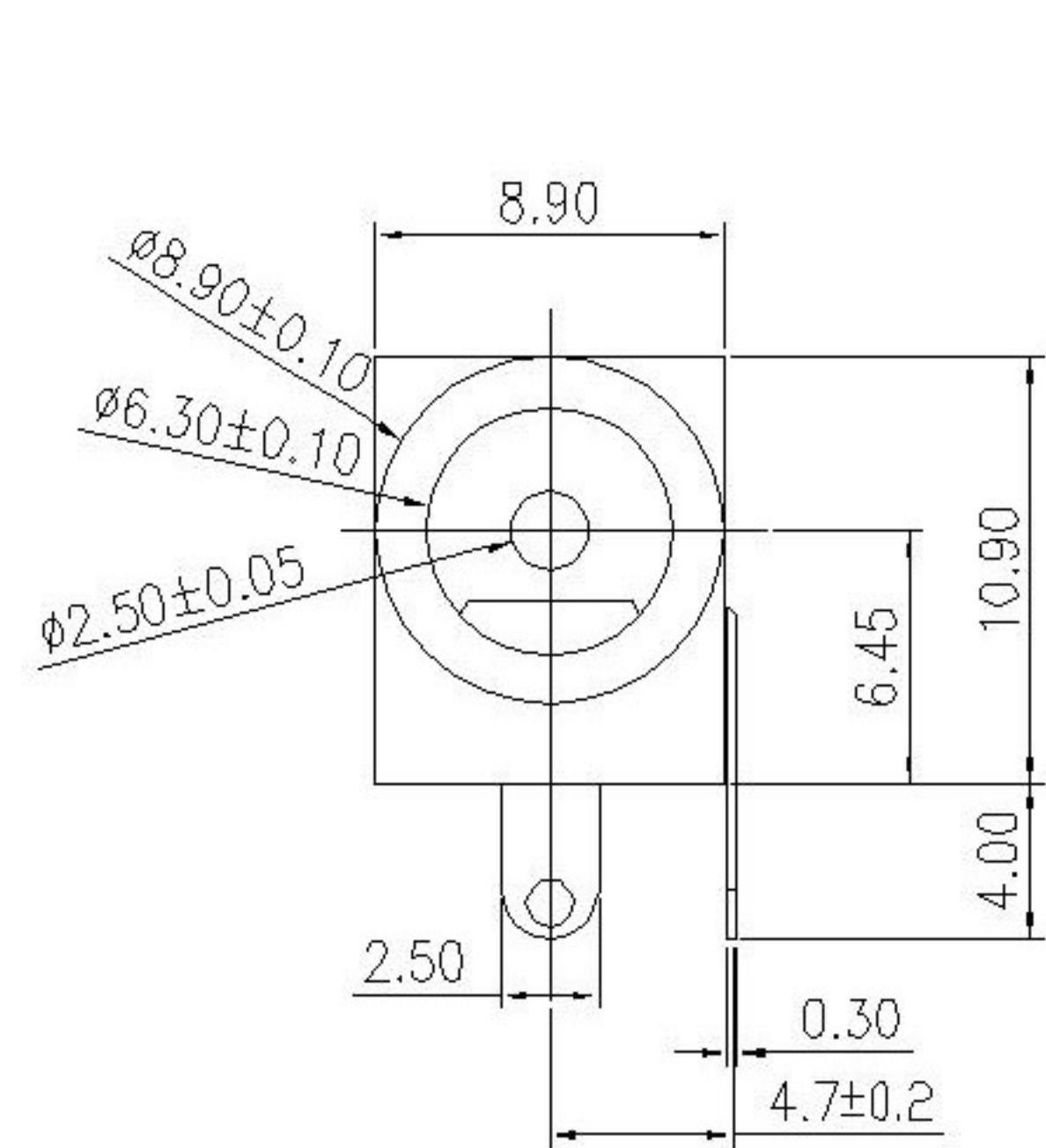


PCB LAYOUT TOP VIEW

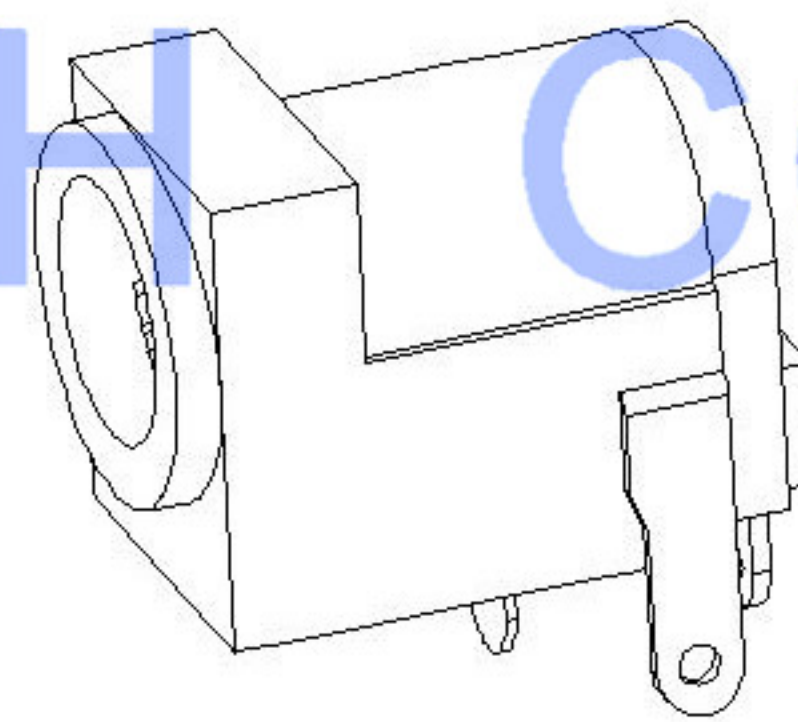
SPECIFICATIONS:

1. ELECTRICAL CHARACTERISTICS:
 - 1-1. RATING:
 - 1-2. CONTACT RESISTANCE: 30mΩ MAX.(INITIAL)
 - 1-3. DIELECTRIC WITHSTANDING VOLTAGE: 500V AC FOR ONE MINUTE
 - 1-4. INSULATION RESISTANCE: 100MΩ MIN. MEASURED BY 500V DC
2. MECHANICAL CHARACTERISTICS:
 - 2-1. INSERTION FORCE : 0.3~3.0 KGF
 - 2-2. WITHDRAWAL FORCE : 0.3~3.0 KGF
3. LIFE TEST: 5,000 CYCLES MIN.
4. FOR REFLOW SOLDERING LEAD-FREE PROCESS.
5. * REPRESENT CRITICAL DIMENSIONS.



SCHEMATIC	
Model	DC-005E
Center Pin	Ø2.0 mm
	Ø2.5 mm

SWITCH CONNECTOR



	MATERIAL	PLATING
center pin	Brass	tin
terminal 1	Brass	tin
terminal 2	Sus	tin
terminal 3	Brass	tin
plastic	Pbt	

MARK	DESCRIPTION	DATE	REVISED	APPROVED	UNSPECIFIED TOLERANCES	DSND	DATE	SCALE: N/A	MODEL TYPE: DC POWER JACK
△X					ANGLAR ±5°	DWN	DATE	VIEW:	PART NO.:
△X					X.X ±0.2mm	CHKD	DATE	UNIT: mm	DWG NO.:
△X					X.XX ±0.1mm	APPD	DATE	SIZE: A4	DC-005E-2.5A-2.5
					X.XXX ±0.05mm				WEIGHT 1.0g
									SHEET 1/1
									REVISION A0
www.xk-dg.cn www.helloxkb.com www.helloxkb.cn						XKB INDUSTRIAL PRECISION CO.,LIMITED			