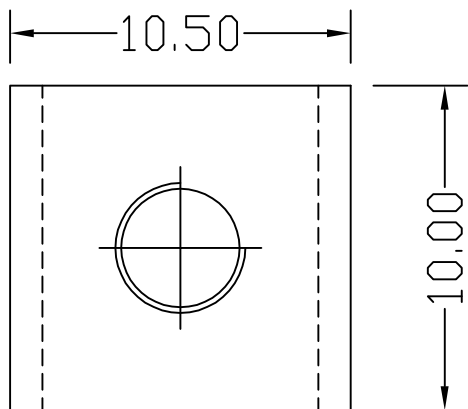
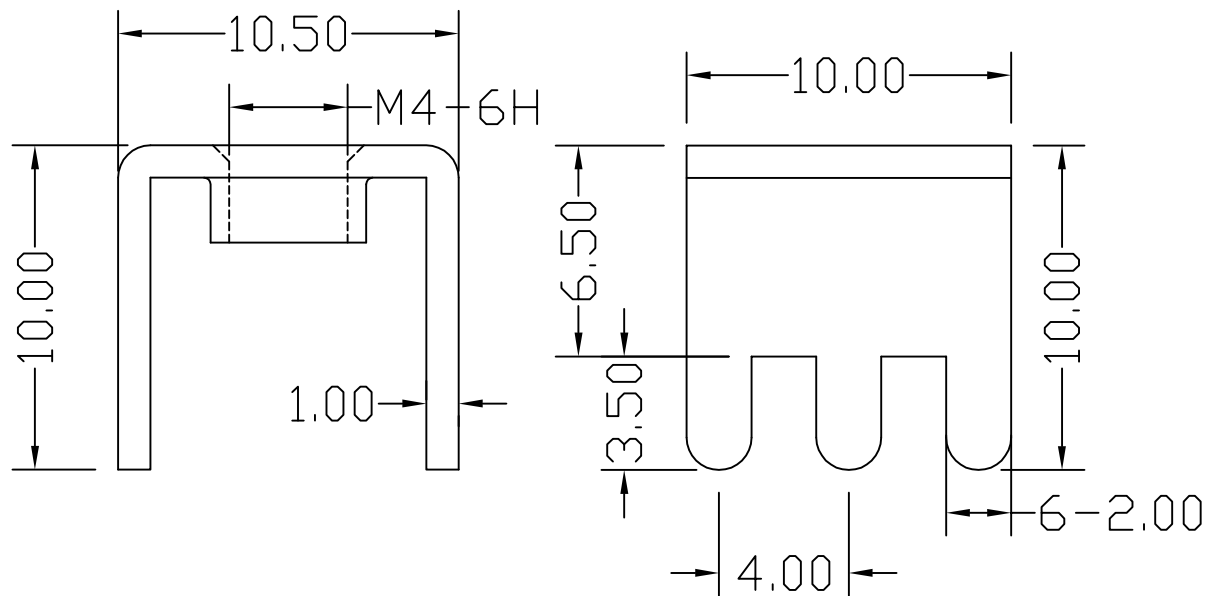


环保物料

TEL:0769-82001899



技术要求：  
 1.额定电流：60A  
 2.材质：黄铜 T1.0mm  
 3.表面处理：镀锡  
 5.牙孔规格:M4



				TOLERANCE UNLESS OTHERWISE		DRAWN	CK tan	<b>XFCN兴飞连接器有限公司</b> CONNECTORS XFCN CONNECTORS CO., LTD.		SHEET	1/1
				X.	±0.30	X°	±5°			CHKD	DATE
				.X	±0.20	.X°	±2°	APPD	PRODUCT NAME	PCB Soldering Terminal	
				.XX	±0.08	.XX°	±1°	VIEW	PART. NO.	T461010	
				.XXX	±0.03	.XXX°	±0.5°			DWG NO.	009
A0	MODIFICATION		DRAW	DATE							