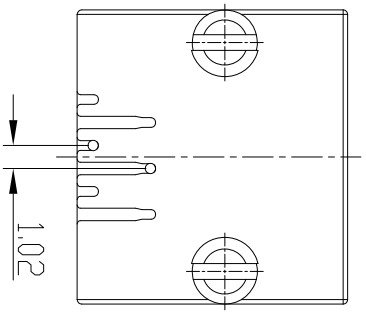
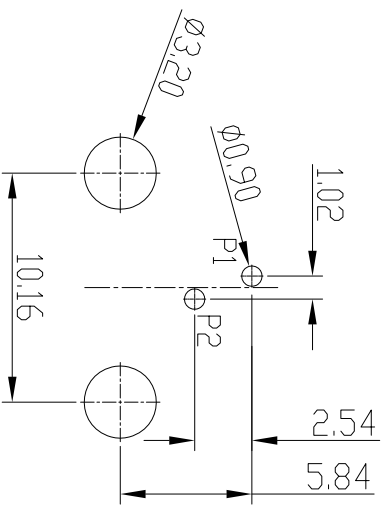
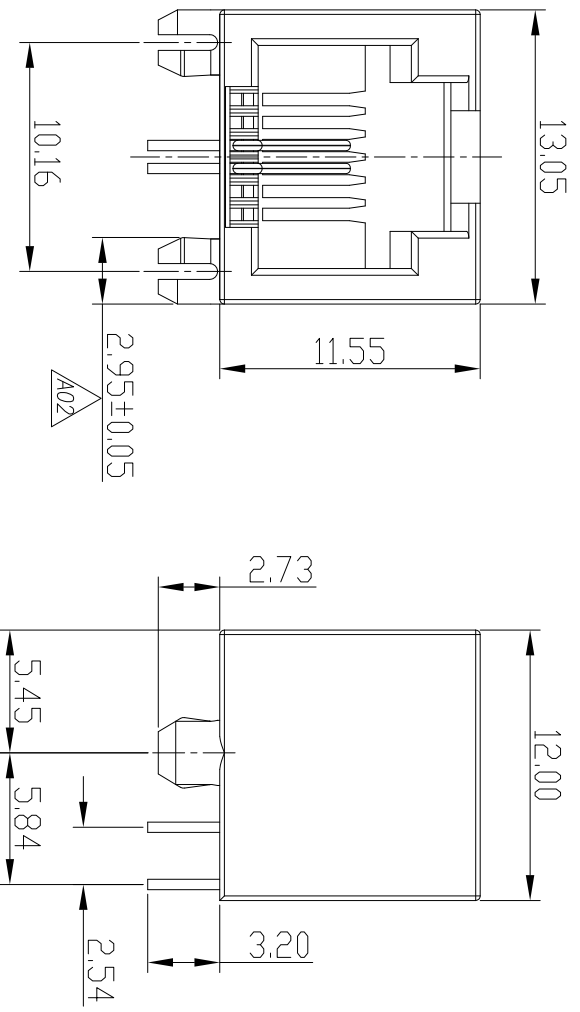


CATEGORY	DESCRIPTION	P/N #
CONNECTOR	RJ11 6P2C 90度插板	MU62-XX11-YRN001

REV.	ECN NO	DESCRIPTION	REVISED	DATE
A01	—	New Release	XSY	2018.01.15
A02	ENG181106004	主体器件脚尺寸变更	YST	2018.11.06

1. RJ ELECTRICAL CHARACTERISTICS
- 1-1: VOLTAGE: 125V AC RMS
 - 1-2: CURRENT RATING: 1.5A
 - 1-3: CONTACT RESISTANCE: 40m Ω MAX.
 - 1-4: INSULATION RESISTANCE: 500M Ω MIN.
 - 1-5: DIELECTRIC WITHSTANG VOLTAGE : 1000V AC
 - 1-6: OPERATURE TEMPERATURE: -40°C~80°C



X	HOUSING	X	Terminal Plating
B	Black	0	G/F Plating
W	White	1	Au 3u" Plating
Y	Yellow	2	Au 6u" Plating
G	Gray D113C	3	Au 15u" Plating
		4	Au 30u" Plating

Recommend PCB Layout
 Jack Top View
 Tolerance: ±0.05mm
 Recommend PCB Thickness: 1.6mm


 东莞市合陵电子有限公司
 DongGuan Heling Electronic Co.,LTD

UNLESS OTHERWISE SPECIFIED TOLERANCES	SCALE: 1/1	UNIT: mm	DWG. NO:
DECIMALS: X : ±0.5	SIZE: A3	PAGE: 1 OF 1	REV: A02
ANGLES: X : ±2°	APPROVED BY	CHECKED BY	PREPARED BY
X.X : ±0.3	DICK	XSY	YST
X.XX : ±0.2	CUSTOMER COPY		

b	TERMINAL	2	PHOSPHOR BRONZE	∅0.46mm	AU PLATING	
a	HOUSING	1	PBT UL94V-0		SEE TABLE	
NO.	PART NAME	QTY	MATERIAL		PLATING & COLOR	Remark

A B C D

A B C D

3

2

1