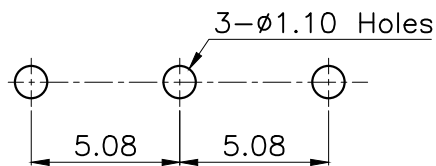
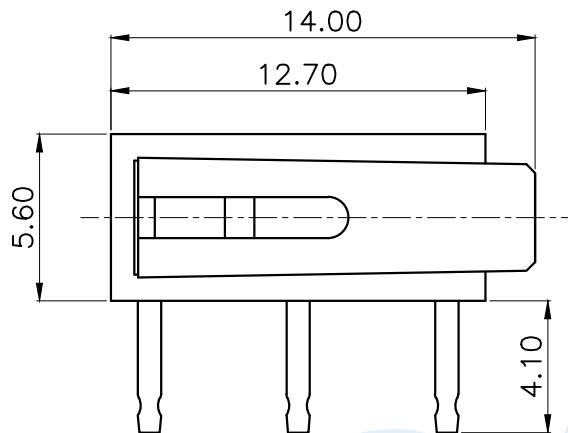
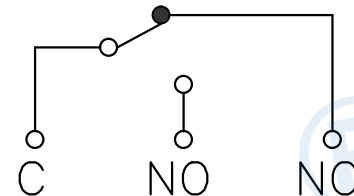


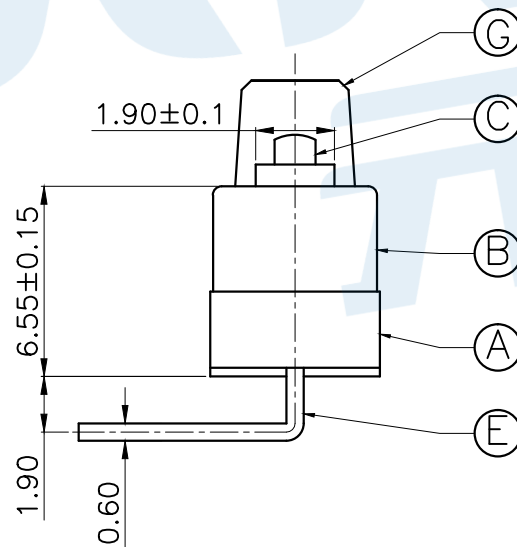
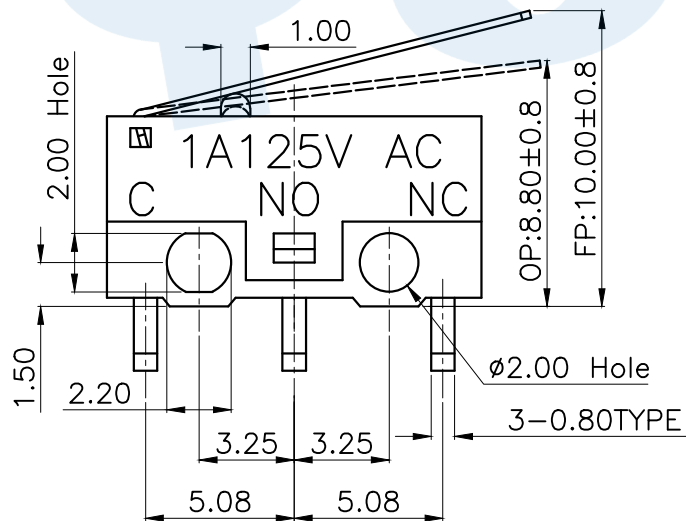
RoHS



PCB Layout (Pattern side)



Circuit Diagram



Operating force
30±15gf

Contact material	
CODE	MATERIAL
T	Copper dot
Y	Silver dot

Ⓒ	Pressure handle	1	SUS		
Ⓕ	Contact	1	Silver/copper dot		
Ⓔ	Terminal	3	Brass	Silver	
Ⓓ	Contact reed	1	Brass		
Ⓒ	Handle	1	POM	White	
Ⓑ	Cover	1	PBT	Black	
Ⓐ	Base	1	PBT	White	
NO.	Name	Number	Qty	Material	Remarks

YUANDI® Yuandi Electronics Co., Ltd

design	date	name	MICRO SWITCH
Review	date	name	TC-5610D-□
Approved	date	name	

Drawing number: Proportion 1:1 unit mm gage number A4

modify Review Approved Tolerance not specified

angle ±2'
10~30 ±0.30
5~10 ±0.20
~ 5 ±0.10