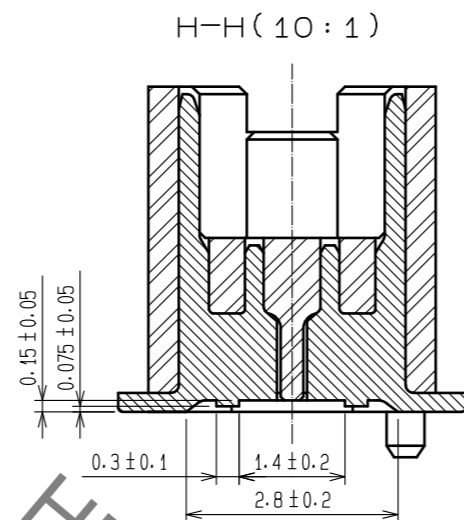
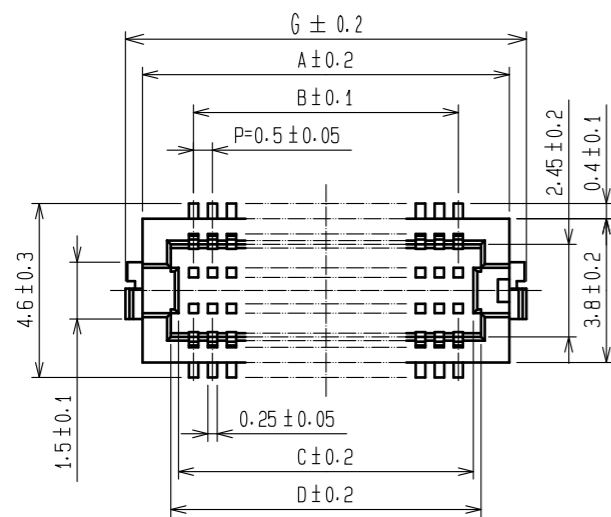
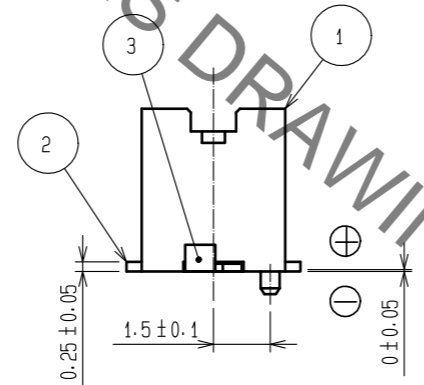
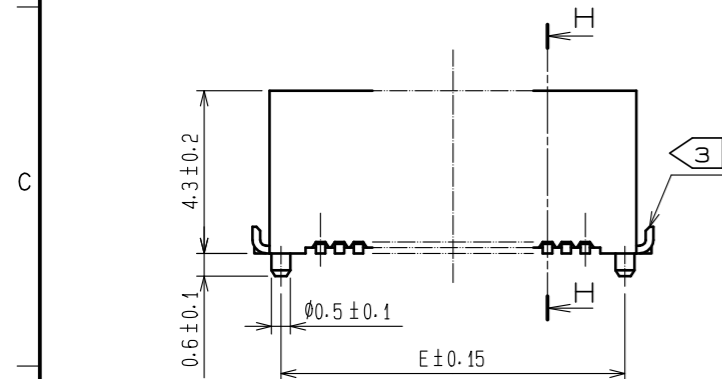


Mar.1.2020 Copyright 2020 HIROSE ELECTRIC CO., LTD. All Rights Reserved.
In case of consideration for using Automotive equipment / device which demand high reliability, kindly contact our sales window correspondents.

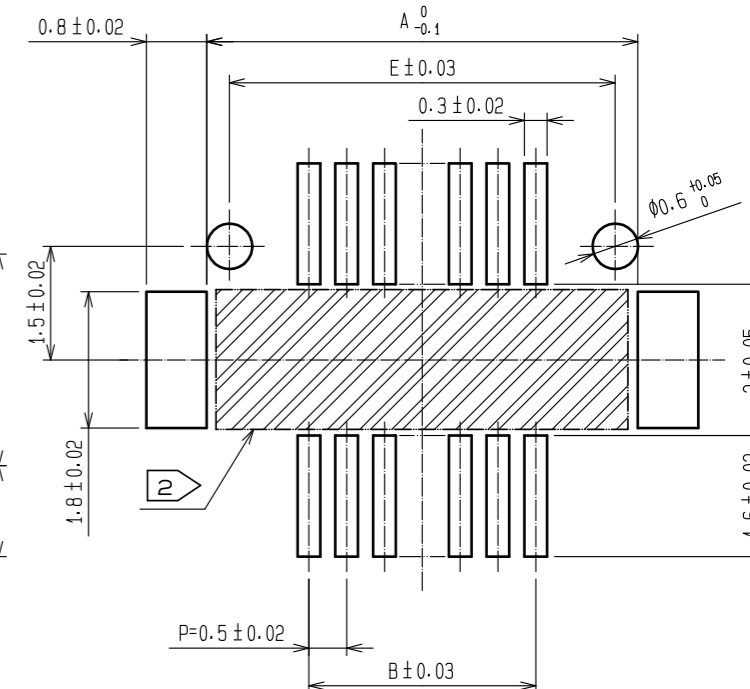
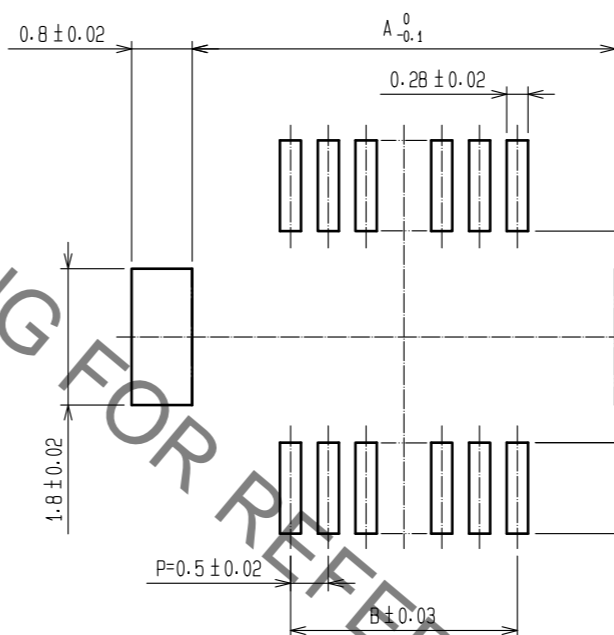


CODE No.	CONTACT	A	B	C	D	E	F	G
CL537-0153-9-86	20	7.2	4.5	5.3	5.7	6.6	5.3	8.1
CL537-0155-4-86	30	9.7	7.0	7.8	8.2	9.1	7.8	10.6
CL537-0156-7-86	36	11.2	8.5	9.3	9.7	10.6	9.3	12.1
CL537-0157-0-86	40	12.2	9.5	10.3	10.7	11.6	10.3	13.1
CL537-0159-5-86	50	14.7	12.0	12.8	13.2	14.1	12.8	15.6
CL537-0161-7-86	60	17.2	14.5	15.3	15.7	16.6	15.3	18.1

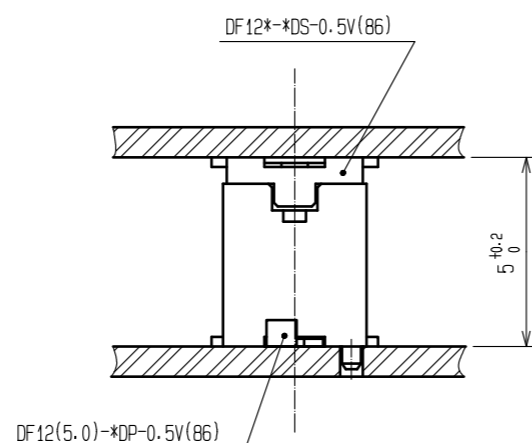
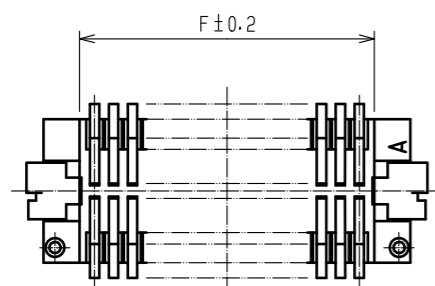


RECOMMEND METAL MASK PATTERN (10:1)

RECOMMENDED PATTERN (10:1)



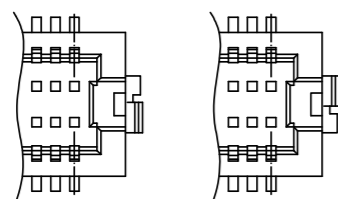
RECOMMENDED THICKNESS OF SOLDER PASTE : 120 μm



NOTES 1 : LEAD CO-PLANARITY INCLUDING REINFORCED METAL FITTINGS SHALL BE 0.08 mm MAX.

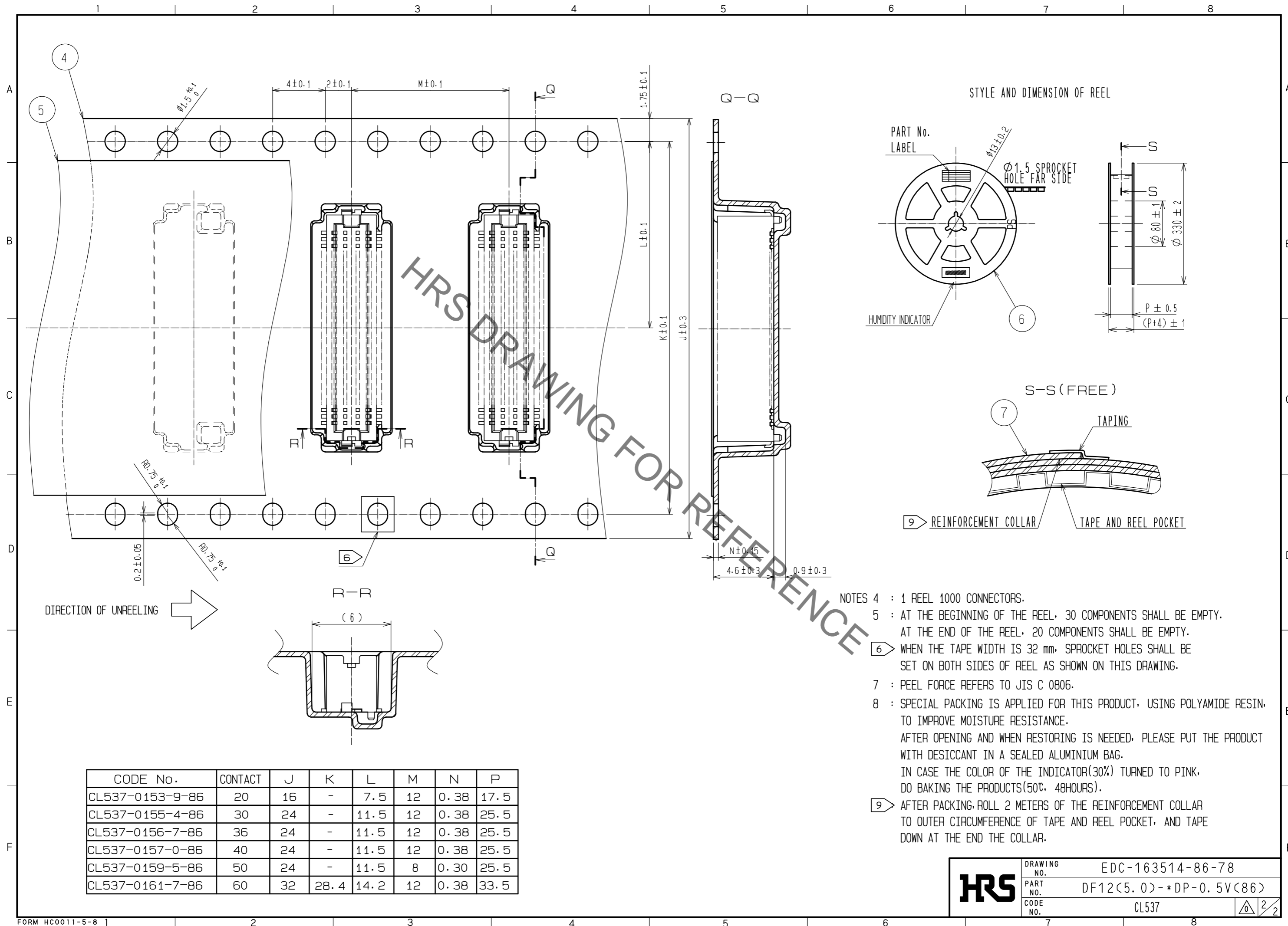
② IF THERE IS PATTERN ON PART, THERE IS A POSSIBILITY THAT IT WILL MAKE CONTACT WITH THE LEADS.

③ REINFORCED METAL FITTINGS AS FOLLOWS.



2	PHOSPHOR BRONZE	CONTACT AREA:GOLD PLATED 0.2μm min LEAD AREA:GOLD PLATED 0.015μm OTHERS(UNDER PLATING):NICKEL PLATED 2μm min	7	PS	CLEAR (REINFORCEMENT COLLAR)
1	POLYAMIDE	UL94V-0. NATURAL (BEIGE)	6	PS	BLACK (PLASTIC REEL)
			5	POLYESTER	CLEAR (COVER TAPE)
			4	PS	CLEAR (EMBOSSED CARRIER TAPE)
			3	BRASS	TIN PLATED 2μm min (UNDER PLATING):NICKEL 1μm min
NO.	MATERIAL	FINISH . REMARKS	NO.	MATERIAL	FINISH . REMARKS
UNITS mm		SCALE 5 : 1	COUNT	DESCRIPTION OF REVISIONS	
DESIGNED		CHECKED		DATE	
APPROVED : WR. FUKUCHI 20190409			DRAWING NO. EDC-163514-86-78		
CHECKED : WR. FUKUCHI 20190409			PART NO. DF12(5.0)- *DP-0.5V(86)		
DESIGNED : KT. KUSAKA 20190409			CODE NO. CL537		
DRAWN : RN. IIDA 20190409			1/2		

Mar.1.2020 Copyright 2020 HIROSE ELECTRIC CO., LTD. All Rights Reserved.
In case of consideration for using Automotive equipment / device which demand high reliability, kindly contact our sales window correspondents.



HRS	DRAWING NO.	EDC-163514-86-78
	PART NO.	DF12(5.0)-*DP-0.5V(86)
	CODE NO.	CL537