

MATERIAL: Stainless Steel.
 BASE: PBT(UL 94-V0), PC(UL 94-V2)
 ACTUATOR: PC ; Stainless Steel.
 INNER ASSEMBLY: POM./PA66.
 SPRING: spring steel.
 SEALING: Silicone.
 O-Ring:Silicone.
 TERMINAL: Brass,Silver plated.
 HEX NUT: Nickel plated brass.
 RoHS

本公司智慧財產，未經同意不得複製
 DAILYWELL copyright, may not be used
 without permission from DAILYWELL

MPB19-XXXXXE1-XX-JQ

Terminal plating

Q	Silver
R	Gold

Body type

D0	Stainless (Natural SUS),Flat
E1	Brass (Mirror Chrome Plated),Flat
E2	Brass (Nikel Plated),Flat
F3	Al alloy (Black Anodized),Flat

Button type

F	Flat
---	------

Contact Configuration

1	1NO 1NC
2	2NO 2NC

Operating type

0	Momentary
1	LOCK

Light type

E1	Ring(Moveable) +Power logo
----	-------------------------------

Terminal shape

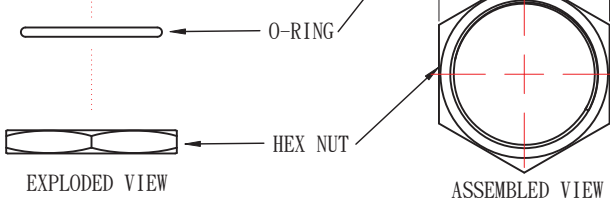
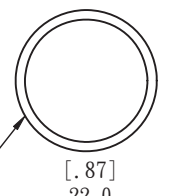
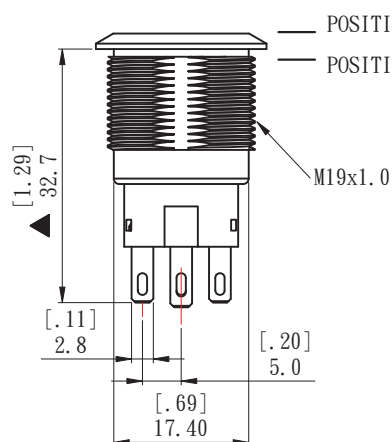
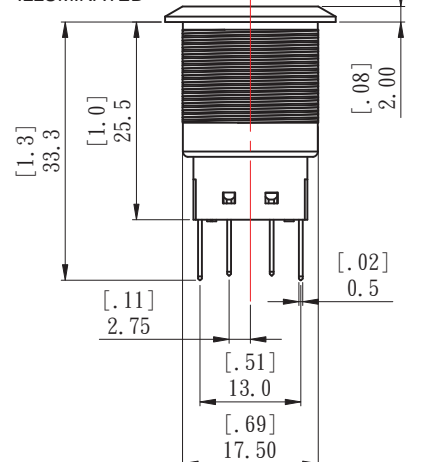
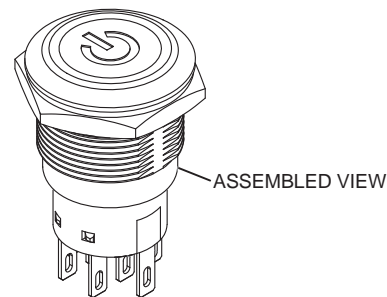
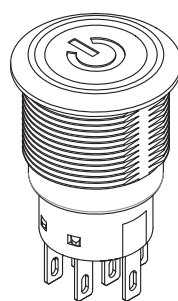
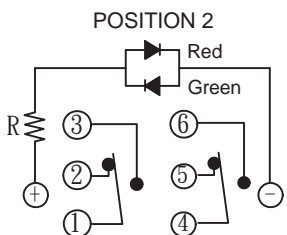
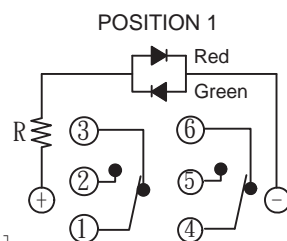
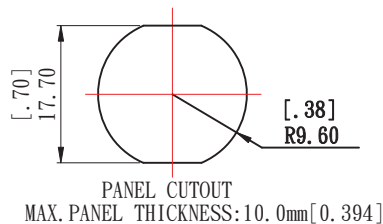
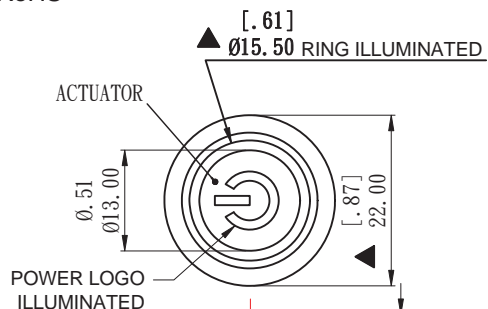
J	Solder Terminal
---	-----------------

LED color

0	Without LED
A	Red/Green
B	Red/Blue
D	Blue/Yellow
G	Red/Yellow
H	Green/Yellow

LED voltage

0	Without Resistor
3	3V
6	6V
12	12V
24	24V
36	36V
110	110V
220	220V



SPECIFICATIONS

- CONTACT MATERIAL: SILVER.
- RATING: 1th 5A/250VAC. resistive load 3A/250VAC.
- ELECTRICAL LIFE: 50,000 MAKE-AND-BREAK CYCLES AT FULL LOAD.
- MECHANICAL LIFE: SELF-LOCK 500,000.
- INSULATION RESISTANCE: 1,000MΩ MIN AT 500VDC .
- DELECTRIC STRENGTH: 2,000V RMS@sea level.
- CONTACT RESISTANCE: 50mΩ MAX. @1A 12VDC(initial value).
- OPERATING TEMPERATURE: -20°C to 55°C .
- TRAVEL: ABOUT 3.2mm.
- OPERATION PRESSURE: 1Pole 2.5±1N. / 2Pole 3.5±1N.
- INGRESS PROTECTION: IP67,IK10(Stainless).
- TORQUE: 5~14Nm.

德利威電子股份有限公司
 DAILYWELL ELECTRONICS CO.,LTD.

符號	原尺寸	修改後尺寸	變更日期
1	(A)		
2	(B)		
3	(C)		
4	(D)		
5	(E)		

SCALE(比例): 1:1
 TOLERANCE (公差):
 0.00 mm ± 0.25mm
 0.0 mm ± 0.40mm
 ANGULAR: ± 2°
 FILE NAME : MPB19-1011

TITLE 圖名	METAL PUSHBUTTON SWITCH	SIZE 圖紙	A4
DWG NO. 圖號	MPB19-D0F21E1-A3-JQ	UNIT 單位	inch mm
REV. 版本	A	DATE 日期	MAR - 06 - 2018
CHECKED BY 審核	陳燈財	DRAWN BY 製圖	IRENE
		SHEET 張數	1 of 1