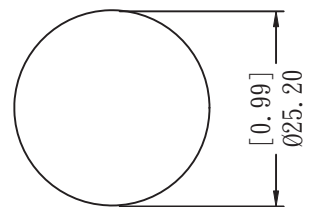
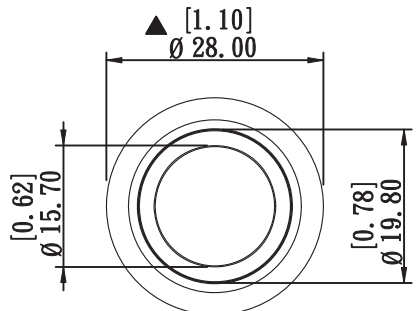
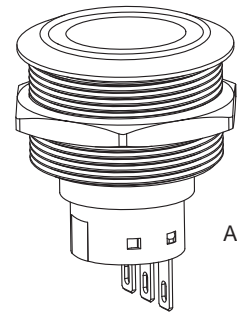
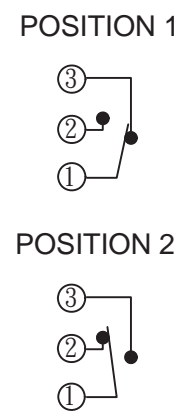
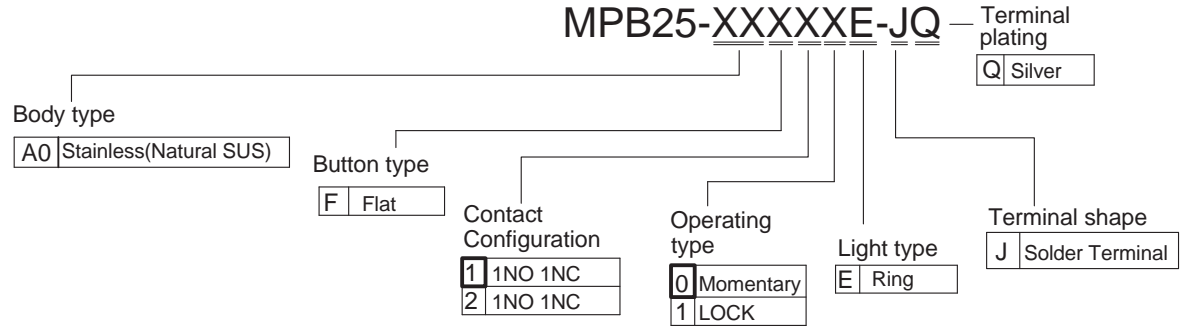
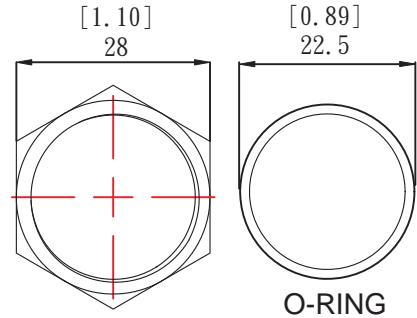
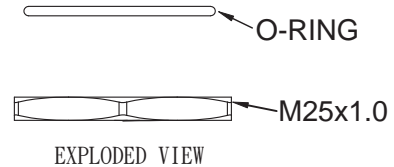
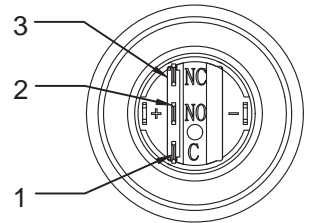
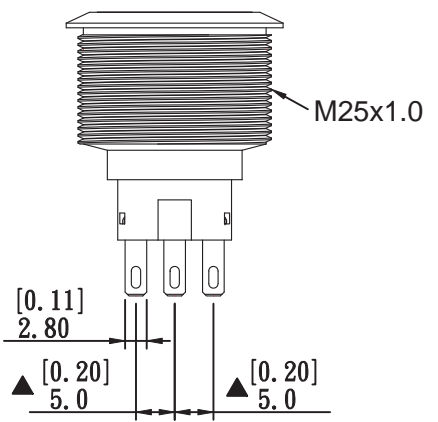
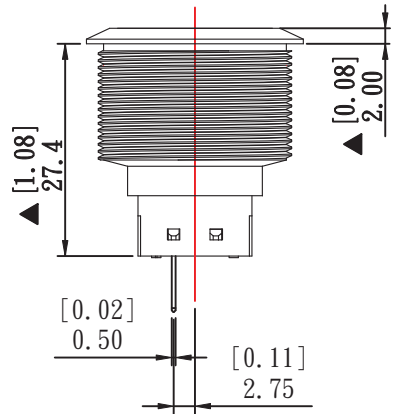


MATERIAL:  
 BUSHING: Stainless Steel.  
 BASE: PBT(UL 94-V0), PC(UL 94-V2)  
 ACTUATOR: PC ; Stainless Steel.  
 INNER ASSEMBLY: POM./PA66.  
 SPRING: Spring steel.  
 SEALING: Silicone.  
 O-Ring:Silicone.  
 TERMINAL/CONTACT: Copper ,Silver plated.  
 HEX NUT: Nickel plated brass.  
 RoHS



PANEL CUTOUT  
 MAX.PANEL THICKNESS:10.0mm[.394]



ASSEMBLED VIEW

本公司智慧財產，未經同意不得複製  
 DAILYWELL copyright, may not be used  
 without permission from DAILYWELL

SPECIFICATIONS

- CONTACT MATERIAL: SILVER.
- RATING: 1th 5A/250VAC. resistive load 3A/250VAC.
- ELECTRICAL LIFE: 50,000 MAKE-AND-BREAK CYCLES AT FULL LOAD.
- MECHANICAL LIFE: Momentary 1,000,000.
- INSULATION RESISTANCE:1,000MΩ MIN AT 500VDC.
- DELECTRIC STRENGTH: 2,000V RMS@sea level.
- CONTACT RESISTANCE: 50mΩ MAX.@1A 12VDC(initial value).
- OPERATING TEMPERATURE: -20 °C to 55°C .
- TRAVEL: ABOUT 3.2mm.
- OPERATION PRESSURE: 2.5±1N.
- INGRESS PROTECTION: IP67,IK08.
- TORQUE: 5~14Nm.

德利威電子股份有限公司  
 DAILYWELL ELECTRONICS CO.,LTD.

符號	原尺寸	修改後尺寸	變更日期
1 (A)			
2 (B)			
3 (C)			
4 (D)			
5 (E)			

SCALE (比例): 1:1  
 TOLERANCE (公差):  
 0.00 mm ± 0.25mm  
 0.0 mm ± 0.40mm  
 ANGULAR: ±2°  
 FILE NAME : MPB25-0032

TITLE 圖名	METAL PUSHBUTTON SWITCH	SIZE 圖紙	A4
DWG NO. 圖號	MPB25-A0F10E-JQ	UNIT 單位	inch mm
REV. 版本	A	DATE 日期	MAY - 03 - 2016
CHECKED BY 審核	簡光萬	SHEET 張數	1 of 1
		DRAWN BY 製圖	IRENE