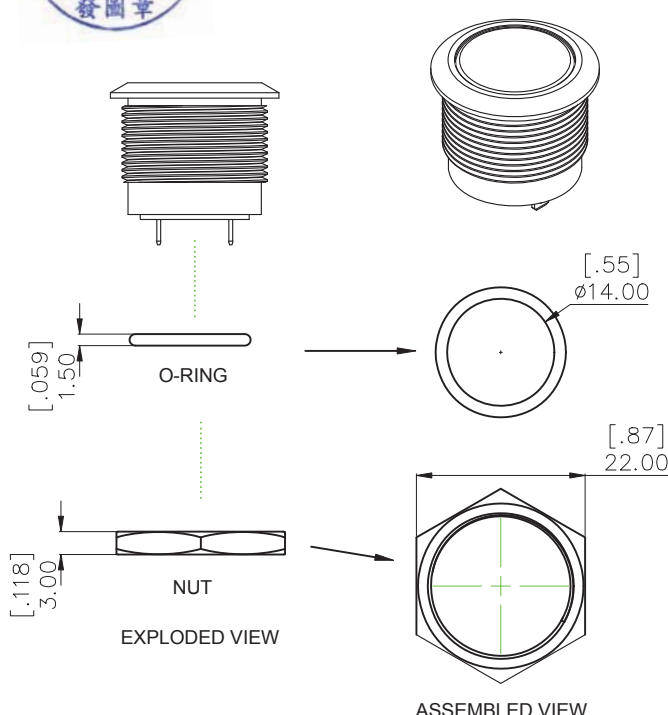
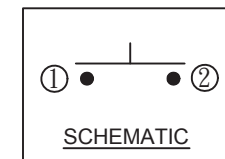
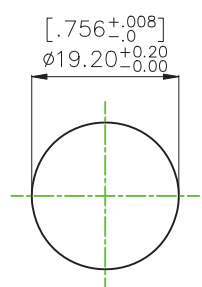
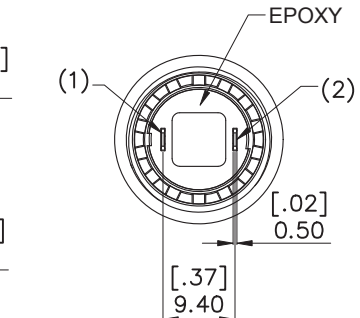
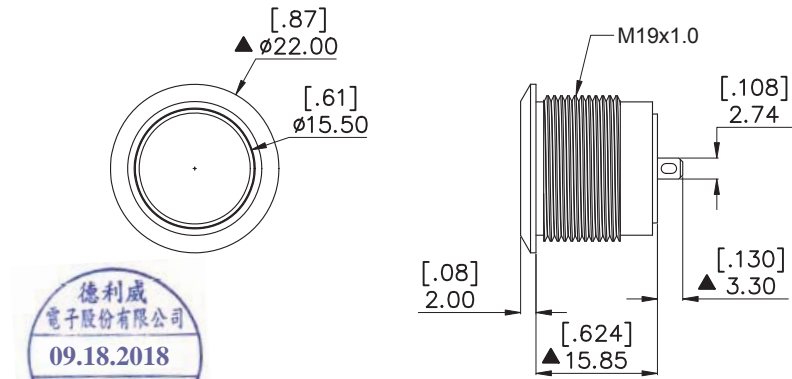


本公司智慧財產，未經同意不得複製  
DAILYWELL copyright, may not be used  
without permission from DAILYWELL



**MATERIAL:**  
 BUSHING: Stainless Steel.  
 BASE: PA66, White UL-94V0  
 ACTUATOR: PC, Translucent. UL-94V2  
 Stainless Steel.  
 INNER ASSEMBLY: PC, Transparent UL-94V2.  
 SPRING: Spring steel.  
 SEALING: Silicone, Translucent.  
 O-Ring: Silicone.  
 TERMINAL: Brass, Gold flash plated.  
 HEX NUT: Brass, Nickel plated.  
 CONTACT: Brass, Silver alloy.

# MPS19-XXX X X-X-JR-XV

Body Material & color		Resistance (About LED Voltage)	
A0	Stainless / Natural	0	Without Resistance
Body type		3	LED input 3VDC, 47Ω ※Red & Yellow LED type only
		6	LED input 6VDC, 180Ω
		12	LED input 12 VDC, 470Ω
2	NON-Flat	24	LED input 24 VDC, 1000Ω
3	D Shape	※ ohms value of resistance tolerance: ±5%	
Button type		LED Color	
F	Flat	0	Without LED
Light type		1	White
N	Without LED	3	Red
E	RING	5	Yellow
P	Power Logo & Ring	6	Green
		7	Blue

## SPECIFICATIONS

1. RATING: 2A/36VDC.
2. ELECTRICAL LIFE: 200,000 MAKE-AND-BREAK CYCLES AT FULL LOAD.
3. MECHANICAL LIFE: 1,000,000. CYCLES
4. INSULATION RESISTANCE: 1,000MΩ MIN AT 500VDC.
5. DIELECTRIC STRENGTH: 2,000V RMS@sea level.
6. CONTACT RESISTANCE: 50mΩ MAX. @1A 12VDC(initial value).
7. OPERATING TEMPERATURE: -20°C to 70°C.
8. TRAVEL: ABOUT 1.8±0.2mm.
9. OPERATION PRESSURE: 4.5±1.5N.
10. INGRESS PROTECTION: IP67, IK10(Stainless).
11. TORQUE: 1~3Nm.
12. CURRENT LIMITING RESISTOR IS REQUIRED TO LIMIT LED FORWARD CURRENT TO 20mA.

德利威電子股份有限公司  
DAILYWELL ELECTRONICS CO., LTD.

符號	原尺寸	修改後尺寸	變更日期	SCALE (比例) : 1 : 1	TITLE 圖名	SHORT METAL PUSHBUTTON SWITCH	SIZE 圖紙	A4		
1	(A)			TOLERANCE (公差): 0.00mm±0.25mm 0.0mm±0.40mm ANGULAR: ±5° FILE NAME : MPS19-0002	DWG NO. 圖號	MPS19-A02FN-0-JR-0V	UNIT 單位	inch mm		
2	(B)				REV. 版本	A	DATE 日期	SEP - 18 - 2018	SHEET 張數	1 of 1
3	(C)				APPROVE 審核	陳燈財	CHECK 確認	林昆鴻	DRAW 製圖	IRENE
4	(D)									
5	(E)									