

MPS25 Series

25mm Short Metal Pushbutton Switches



SPECIFICATIONS

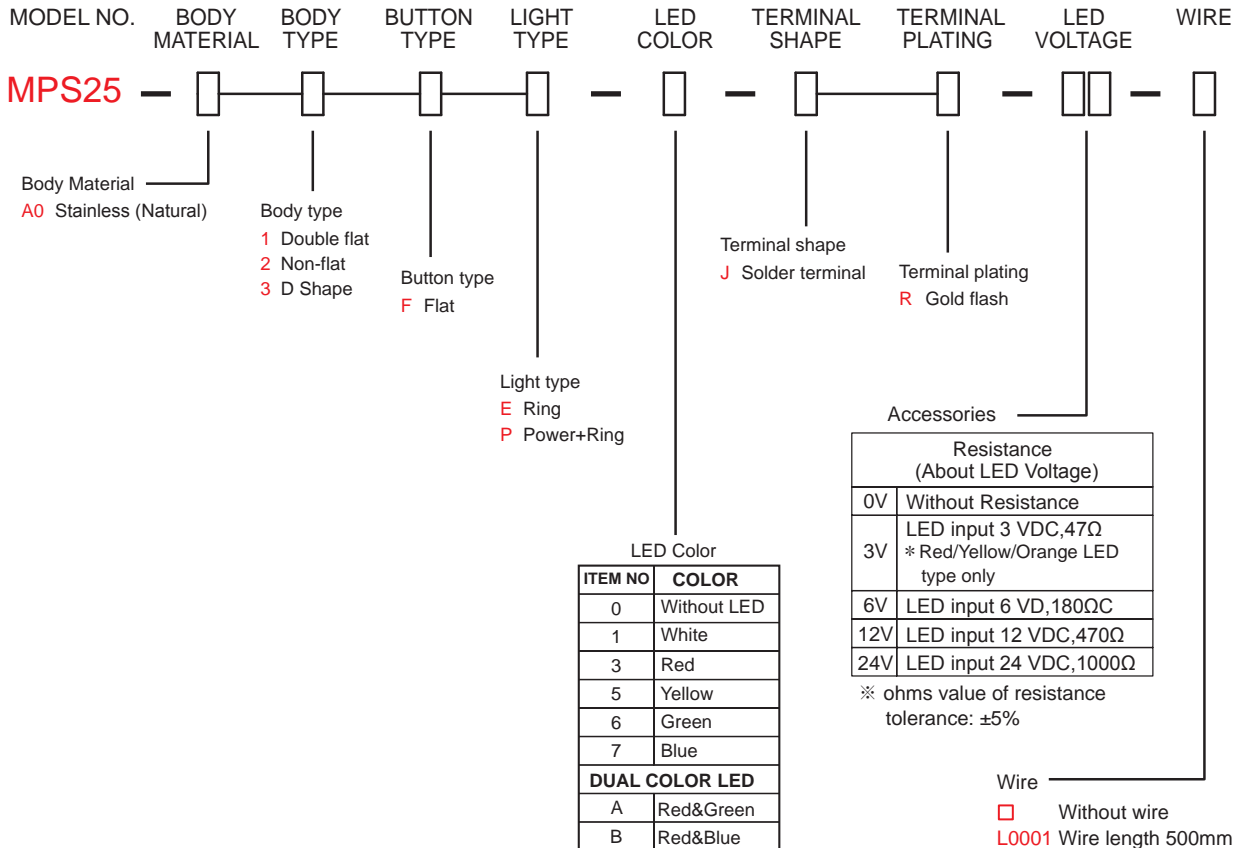
RATING : 2A/36VDC
ELECTRICAL LIFE: 200,000 make-and-break cycles at full load.
MECHANICAL LIFE: 1,000,000. Cycles
DIELECTRIC STRENGTH: 2,000V RMS@sea level
CONTACT RESISTANCE: 50mΩ MAX.@1A 12VDC(initial value)
OPERATING TEMPERATURE: -20°C to 70°C
TRAVEL: ABOUT 1.8±0.2mm
OPERATION PRESSURE: 4.5±1.5N
INGRESS PROTECTION: IP67,IK10(Stainless)
TORQUE: 1~3Nm
 Current limiting resistor is required to limit led forward current to 20mA

MATERIALS

BUSHING : Stainless Steel
BASE : PA66,White UL-94V0
ACTUATOR : PC,Translucent UL-94V2
 Stainless Steel
INNER ASSEMBLY : PC,Transparent UL-94V2
SPRING : Spring steel
SEALING : Sillicone,Translucent
O-Ring : Sillicone,Black
TERMINAL : Brass ,Gold flash plated
CONTACT : Brass,Sliver alloy
HEX NUT : Brass,Nickel plated

HOW TO ORDER

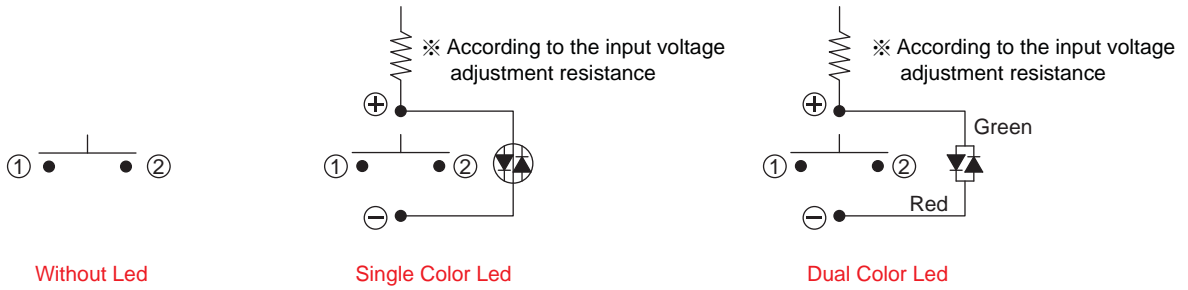
IP 67
 ACCORDING TO
 EN 60529:1991+A1:2001
 IEC 60529:2001



EXAMPLE:
 MPS25-A01FE-0-JR-0V (Without LED)
 MPS25-A01FE-[]-JR-[]V
 LED color LED voltage

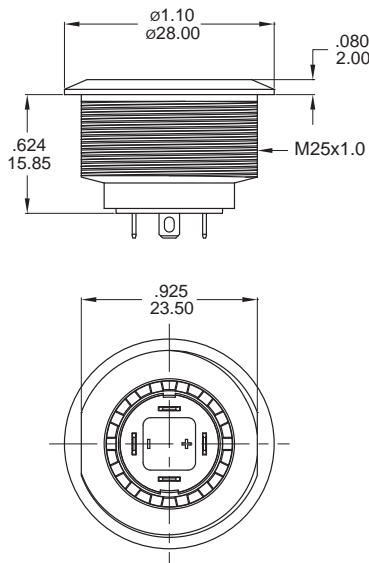
MPS25 Pushbutton Switches

CIRCUIT

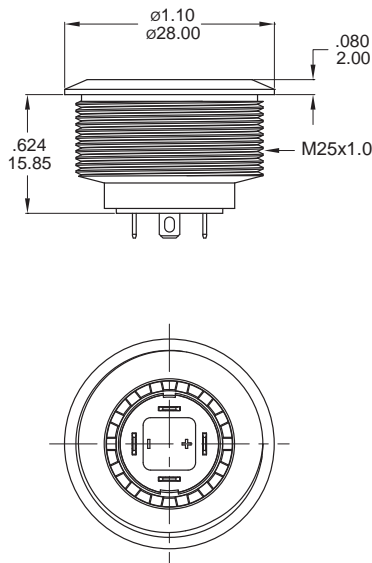


BODY TYPE

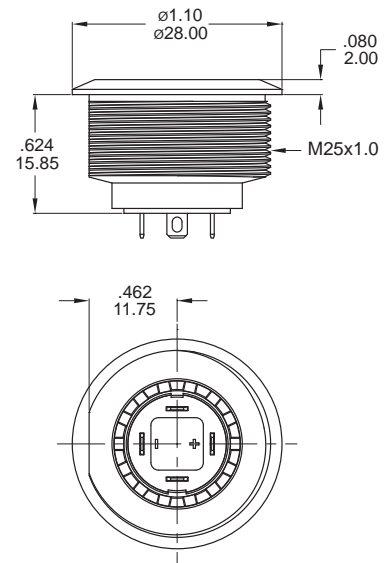
Double flat



Non-flat

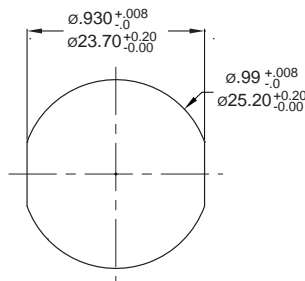


D Shape

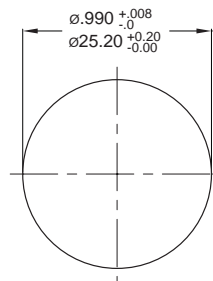


PANEL CUTOUT

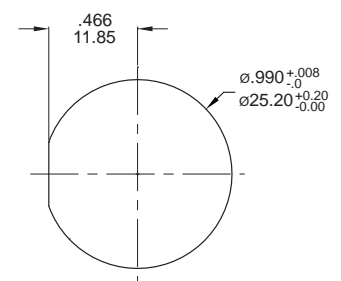
Thickness: 6.0mm(Max.)



Double flat



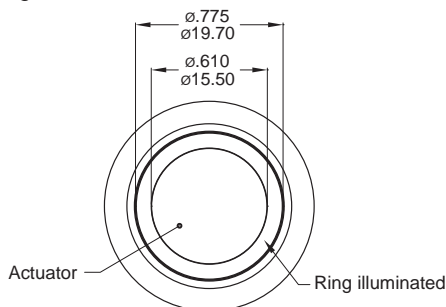
Non-flat



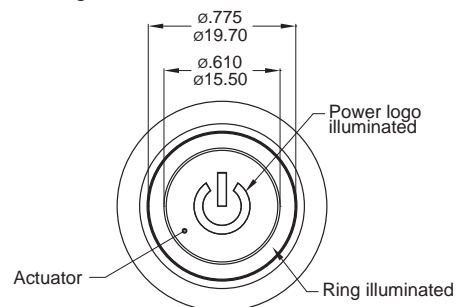
D Shape

LIGHT TYPE

E Ring



P Power+Ring

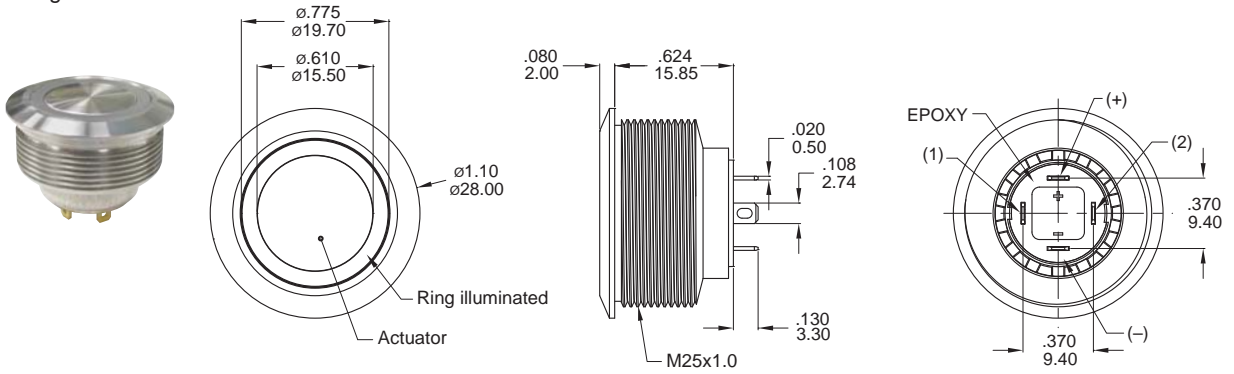


MPS25 Series

25mm Short Metal Pushbutton Switches

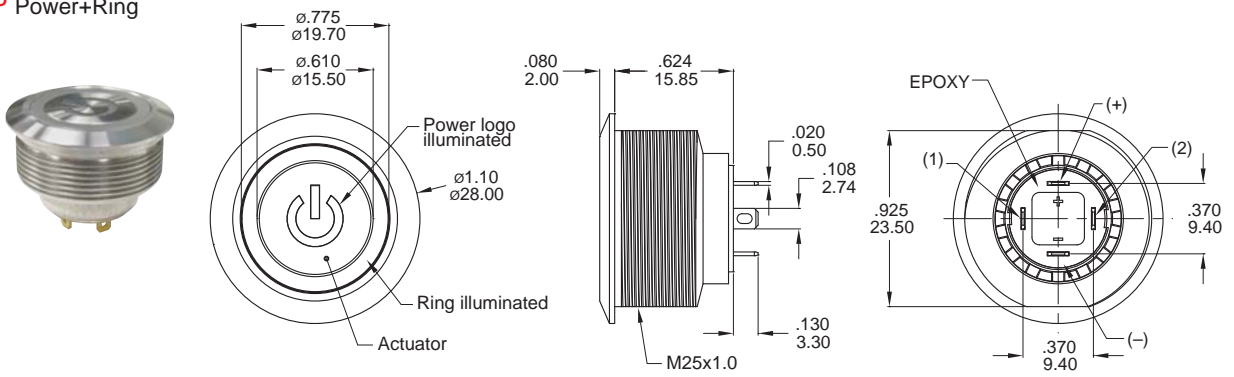
LIGHT TYPE

E Ring



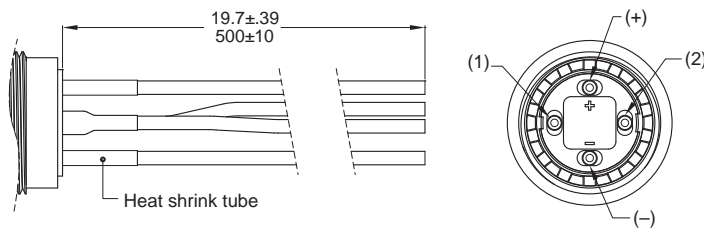
Part No. Shown : MPS25-A02FE-□-JR-□V

P Power+Ring



Part No. Shown : MPS22-A01FP-□-JR-□V

L0001 *Wire=Multi-wire lead AWG20,section 0.6mm²,UL approved

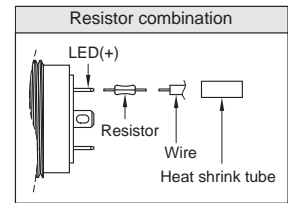


Non-LED

Description	Wire color
Terminal 1	Black
Terminal 2	Black

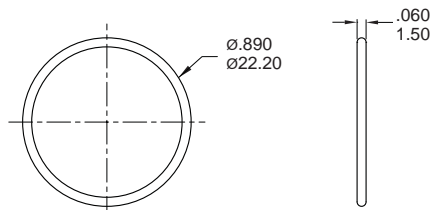
With LED

Description	Wire color
Terminal 1	Black
Terminal 2	Black
LED+	Red
LED-	Green

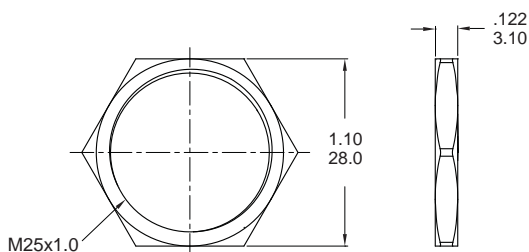


ADDITIONAL

O-RING
No.:CP-MPB25



M25 NUT
No.:NU-MPB03



O-RING INSTALLATION

