

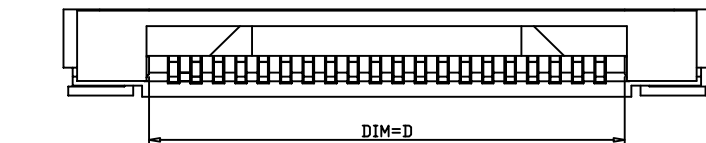
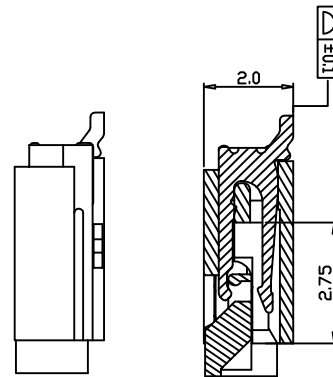
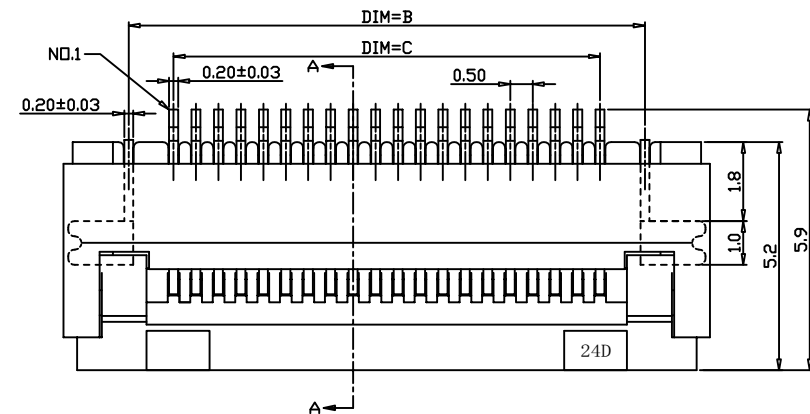
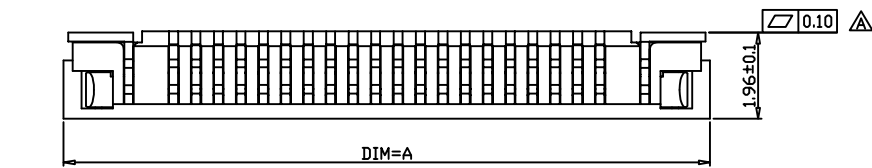
Electrical Characteristics:

Current rating: 0.4A AC/DC
 Voltage rating: 50V AC/DC
 Temperature range: -25°C~+85°C
 Withstand Voltage: 200V AC/Minute
 Contact Resistance: ≤ 20mΩ
 Insulation resistance: 500mΩ
 Relative Humidity: 93%+40°C

Material Description:

Terminal: Phosphor Bronze Tin-Plated
 Fitting Nail: Brass Tin-plated
 Housing: Thermoplastic(UL94V-0)
 Slider: Thermoplastic(UL94V-0)

| PIN数 | DIM=A | DIM=B | DIM=C | DIM=D | PIN数 | DIM=A | DIM=B | DIM=C | DIM=D |
|------|-------|-------|-------|-------|------|-------|-------|-------|-------|
| 60P | 34.40 | 31.50 | 29.50 | 30.60 | 32P | 20.40 | 17.50 | 15.50 | 16.60 |
| 59P | 33.90 | 31.00 | 29.00 | 30.10 | 31P | 19.90 | 17.00 | 15.00 | 16.10 |
| 58P | 33.40 | 30.50 | 28.50 | 29.60 | 30P | 19.40 | 16.50 | 14.50 | 15.60 |
| 57P | 32.90 | 30.00 | 28.00 | 29.10 | 29P | 18.90 | 16.00 | 14.00 | 15.10 |
| 56P | 32.40 | 29.50 | 27.50 | 28.60 | 28P | 18.40 | 15.50 | 13.50 | 14.60 |
| 55P | 31.90 | 29.00 | 27.00 | 28.10 | 27P | 17.90 | 15.00 | 13.00 | 14.10 |
| 54P | 31.40 | 28.50 | 26.50 | 27.60 | 26P | 17.40 | 14.50 | 12.50 | 13.60 |
| 53P | 30.90 | 28.00 | 26.00 | 27.10 | 25P | 16.90 | 14.00 | 12.00 | 13.10 |
| 52P | 30.40 | 27.50 | 25.50 | 26.60 | 24P | 16.40 | 13.50 | 11.50 | 12.60 |
| 51P | 29.90 | 27.00 | 25.00 | 26.10 | 23P | 15.90 | 13.00 | 11.00 | 12.10 |
| 50P | 29.40 | 26.50 | 24.50 | 25.60 | 22P | 15.40 | 12.50 | 10.50 | 11.60 |
| 49P | 28.90 | 26.00 | 24.00 | 25.10 | 21P | 14.90 | 12.00 | 10.00 | 11.10 |
| 48P | 28.40 | 25.50 | 23.50 | 24.60 | 20P | 14.40 | 11.50 | 9.50 | 10.60 |
| 47P | 27.90 | 25.00 | 23.00 | 24.10 | 19P | 13.90 | 11.00 | 9.00 | 10.10 |
| 46P | 27.40 | 24.50 | 22.50 | 23.60 | 18P | 13.40 | 10.50 | 8.50 | 9.60 |
| 45P | 26.90 | 24.00 | 22.00 | 23.10 | 17P | 12.90 | 10.00 | 8.00 | 9.10 |
| 44P | 26.40 | 23.50 | 21.50 | 22.60 | 16P | 12.40 | 9.50 | 7.50 | 8.60 |
| 43P | 25.90 | 23.00 | 21.00 | 22.10 | 15P | 11.90 | 9.00 | 7.00 | 8.10 |
| 42P | 25.40 | 22.50 | 20.50 | 21.60 | 14P | 11.40 | 8.50 | 6.50 | 7.60 |
| 41P | 24.90 | 22.00 | 20.00 | 21.10 | 13P | 10.90 | 8.00 | 6.00 | 7.10 |
| 40P | 24.40 | 21.50 | 19.50 | 20.60 | 12P | 10.40 | 7.50 | 5.50 | 6.60 |
| 39P | 23.90 | 21.00 | 19.00 | 20.10 | 11P | 9.90 | 7.00 | 5.00 | 6.10 |
| 38P | 23.40 | 20.50 | 18.50 | 19.60 | 10P | 9.40 | 6.50 | 4.50 | 5.60 |
| 37P | 22.90 | 20.00 | 18.00 | 19.10 | 9P | 8.90 | 6.00 | 4.00 | 5.10 |
| 36P | 22.40 | 19.50 | 17.50 | 18.60 | 8P | 8.40 | 5.50 | 3.50 | 4.60 |
| 35P | 21.90 | 19.00 | 17.00 | 18.10 | 7P | 7.90 | 5.00 | 3.00 | 4.10 |
| 34P | 21.40 | 18.50 | 16.50 | 17.60 | 6P | 7.40 | 4.50 | 2.50 | 3.60 |
| 33P | 20.90 | 18.00 | 16.00 | 17.10 | 4P | 6.40 | 3.50 | 1.50 | 2.60 |



| | | | | | | | | | | | |
|----|--------------|------|------|----------------------------|-------|-------|--------|--|--------------|-----------------------|------|
| | | | | TOLERANCE UNLESS OTHERWISE | | DRAWN | CK tan | XFCN兴飞连接器有限公司 CONNECTORS XFCN CONNECTORS CO., LTD. | | SHEET | 1/1 |
| | | | | X. | ±0.30 | X° | ±5° | | | CHKD | DATE |
| | | | | .X | ±0.20 | .X° | ±2° | APPD | PRODUCT NAME | FPC 0.50mm Connectors | |
| | | | | .XX | ±0.08 | .XX° | ±1° | VIEW | PART. NO. | F0502-B-XX-20T | |
| | | | | .XXX | ±0.03 | .XXX° | ±0.5° | | | SCALE | 1:1 |
| AO | MODIFICATION | DRAW | DATE | | | | | DWG NO. | '009 | | |