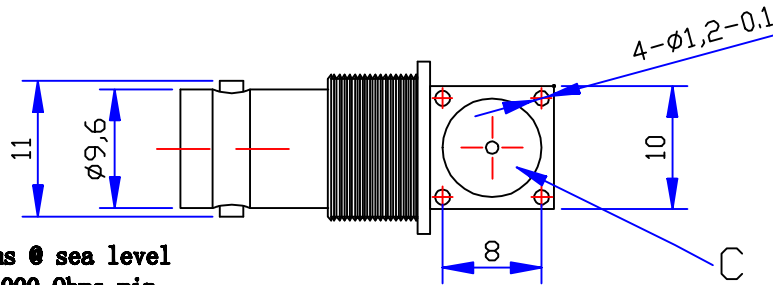
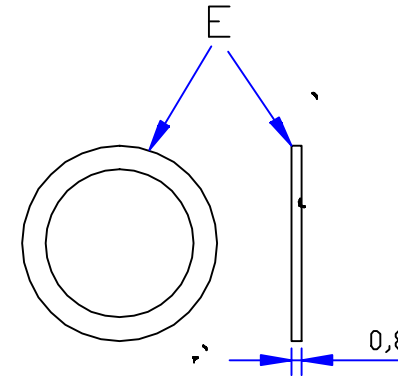
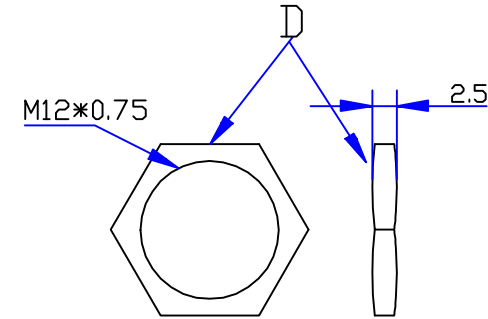
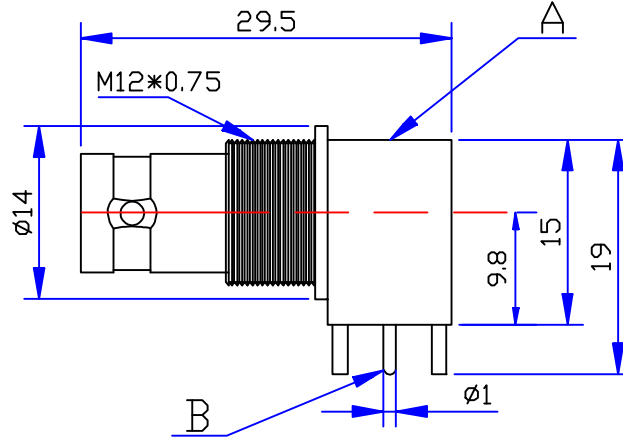




Product NO.		DOSIN-801-0080		
REV	DESCRIPTION	DWN	DATE	APPROVEN
A	First issue	CHEN	2012/10/20	John kine



Specifications

Impedance: 50 Ohms
 Frequency Range: DC~3G
 VSWR: 1.3MAX
 Working Voltage: 500V rms @ sea level
 Insulation Resistance: 5000 Ohms min
 Temperature Range: -55°C TO +155°C
 Relative Temperature: ≤95%(40° C±2° C)
 Drawings products are in line with ROHS standards

NOTE:		Tolerance	0-6	±0.20
DRAWN			6-30	±0.30
Zelin. CHEN		View	30-120	±0.5
2012/10/20			Angular	±2°
CHECKED		UNIT	MM	
APPROVALS		SCALE	1:1	
John Kine 29.10.2012				

Dosin Industrial(H.K)Co.,Ltd 东莞市德索五金电子有限公司 Dosin Hardware Electronics Co.,Ltd		E-mail: dosin2008@163.com dosin2008@doso-china.com Website: www.dosin.com TEL: (0086) 769-81153906 FAX: (0086) 769-81175266	
Name: BNC JACK FOR PCB			
SIZE	Product NO.	REV	
A	DOSIN-801-0080	B	
DateTime	CAD FILE	SHEET: 1 OF 1	
2012/10/20	D:\company drawings\BD		

E	GASKET	TE	NICKEL	1
D	NUT	BRASS	NICKEL	1
C	INSULATOR	TEFLON	NONE	1
B	CONTACT PLATING	BRASS	GOLD	1
A	BODY	BRASS	NICKEL	1
NO	DESCRIPTION	MATERIAL	FINISHED	QTY