



High Speed LDO Regulators, High PSRR, Low noise, ME6211 Series

General Description

The ME6211 series are highly accurate, low noise, CMOS LDO Voltage Regulators. Offering low output noise, high ripple rejection ratio, low dropout and very fast turn-on times, the ME6211 series is ideal for today's cutting edge mobile phone. Internally the ME6211 includes a reference voltage source, error amplifiers, driver transistors, current limiters and phase compensators. The ME6211's current limiters' foldback circuit also operates as a short protect for the output current limiter and the output pin. The ME6211 series is also fully compatible with low ESR ceramic capacitors, reducing cost and improving output stability. This high level of output stability is maintained even during frequent load fluctuations, due to the excellent transient response performance and high PSRR achieved across a broad range of frequencies. The CE function allows the output of regulator to be turned off, resulting in greatly reduced power consumption.

Typical Application

- Mobile phones
- Cordless phones, radio communication equipment
- Portable games
- Cameras, Video cameras
- Reference voltage sources
- Battery powered equipment

Features

- Maximum Output Current: 500mA
($V_{IN}=4.3V, V_{OUT}=3.3V$)
- Dropout Voltage: 100mV@ $I_{OUT}=100mA$
- Operating Voltage Range: 1.2V~6.0V
- Highly Accuracy: $\pm 1\%$
- Low Power Consumption: 30uA (TYP.)
- Standby Current: 0.1uA (TYP.)
- High Ripple Rejection: 70dB@1KHz (ME6211C33)
- Low output noise: 50uVrms
- Line Regulation: 0.05% (TYP.)

Package

- 3-pin SOT89-3, SOT23-3
- 4-pin SOT343R, FBP1*1-4
- 5-pin SOT23-5, SOT353
- 6-pin DFN2*2-6

Typical Application Circuit

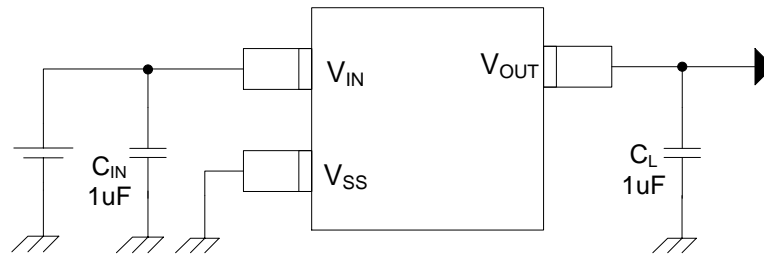


Fig1. ME6211A series

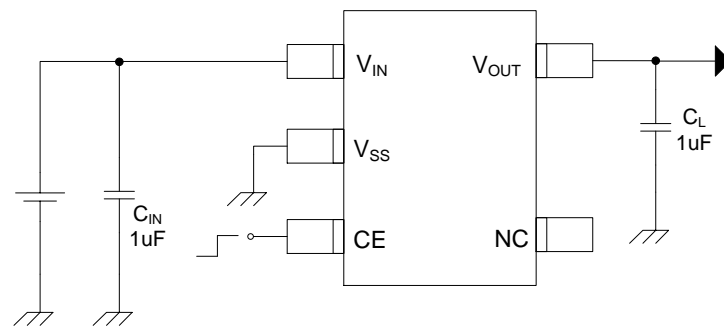


Fig2. ME6211C series

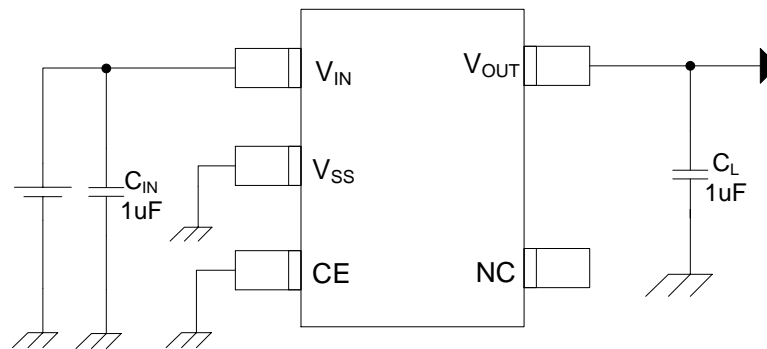
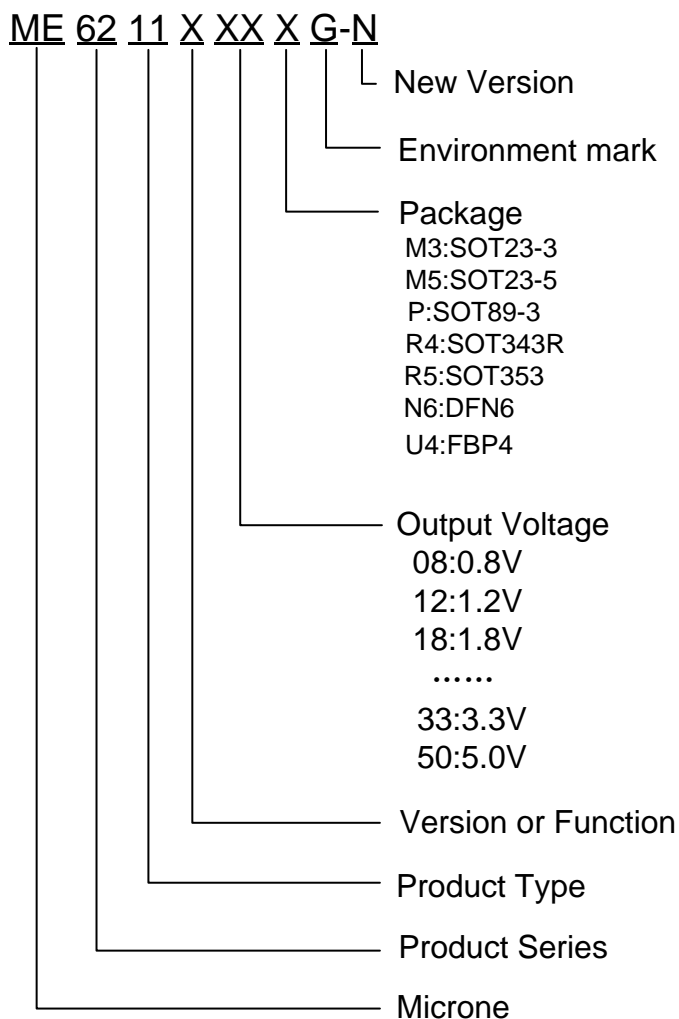


Fig3. ME6211H series

Selection Guide



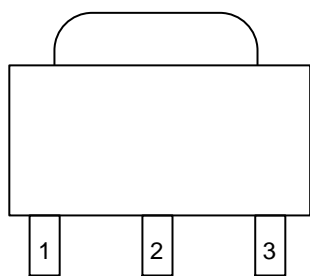
| product series | product function | Output voltage | Package |
|-----------------|--|----------------|-----------------|
| ME6211A12PG-N | Enable the internal connection of high | 1.2V | SOT89-3 |
| ME6211C33M5G-N | Enable can be set | 3.3V | SOT23-5 |
| ME6211C33R4G-N | Enable can be set | 3.3V | SOT343R |
| ME6211C33U4AG-N | Enable can be set | 3.3V | FBP1*1-4 (0.37) |
| ME6211C36U4AG-N | Enable can be set | 3.6V | FBP1*1-4 (0.37) |
| ME6211C25N6AG-N | Enable can be set | 2.5V | DFN2*2-6(0.75) |
| ME6211H15M5G-N | Enable connected to a low | 1.5V | SOT23-5 |

NOTE: At present ,there are fourteen kinds of voltage value:

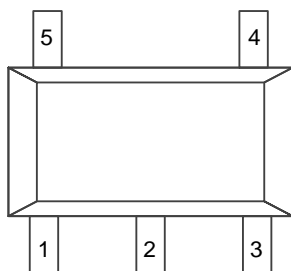
0.8V、1.0、1.2V、1.5V、1.8V、2.1V、2.5V、2.7V、2.8V、2.9V、3.0V、3.3V、3.6V、5.0V。

If you need other voltage and package, please contact our sales staff.

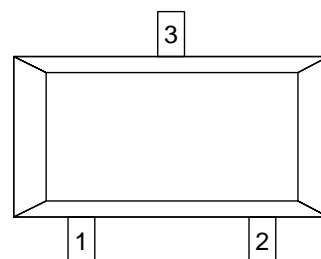
Pin Configuration



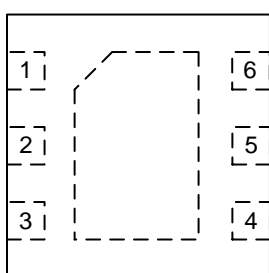
SOT89-3



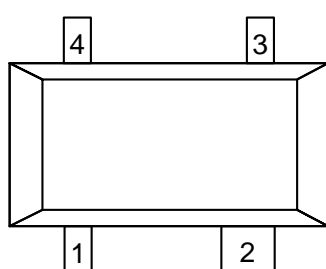
SOT23-5/SOT353



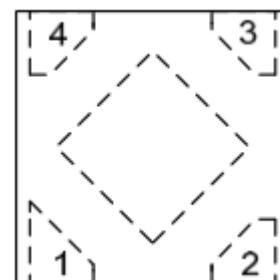
SOT23-3



DFN2*2-6



SOT343R



FBP1*1-4

Pin Assignment

ME6211AXXG

| Pin Number | | | Pin Name | Functions |
|------------|---------|---------|-----------|-------------|
| M3 | P | P1 | | |
| SOT23-3 | SOT89-3 | SOT89-3 | | |
| 1 | 1 | 2 | V_{SS} | Ground |
| 2 | 3 | 1 | V_{OUT} | Output |
| 3 | 2 | 3 | V_{IN} | Power Input |

The difference of printing on the chip between P and P1 is : P:  6211A , P1:  6211A1

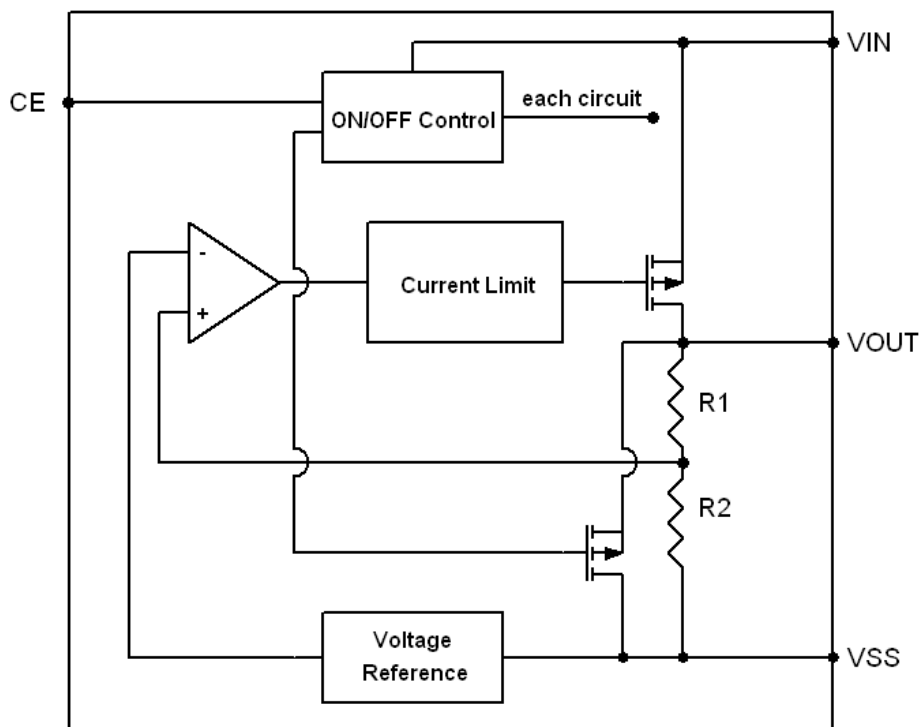
ME6211AXXG-DS

| Pin Number | Pin Name | Functions |
|------------|-----------|-------------|
| SOT23-3 | | |
| 1 | V_{IN} | Power Input |
| 2 | V_{OUT} | Output |
| 3 | V_{SS} | Ground |

ME6211CXXG/ ME6211HXXG

| Pin Number | | | | Pin Name | Functions |
|----------------|----------|---------|----------|-----------|------------------|
| SOT23-5/SOT353 | DFN2*2-6 | SOT343R | FBP1*1-4 | | |
| 1 | 3 | 4 | 4 | V_{IN} | Power Input |
| 2 | 2 | 2 | 2 | V_{SS} | Ground |
| 3 | 1 | 1 | 3 | CE | ON / OFF Control |
| 4 | 5,6 | - | - | NC | No Connect |
| 5 | 4 | 3 | 1 | V_{OUT} | Output |

Block Diagram



Absolute Maximum Ratings

| Parameter | Symbol | Ratings | Units |
|---|-----------|------------------------------|-------|
| Input Voltage | V_{IN} | 6.5 | V |
| Output Current | I_{OUT} | 600 | mA |
| Output Voltage | V_{OUT} | $V_{SS}-0.3 \sim V_{IN}+0.3$ | V |
| CE Pin Voltage | V_{CE} | $V_{SS}-0.3 \sim V_{IN}+0.3$ | V |
| Power Dissipation | SOT23-3 | 0.54 | W |
| | SOT23-5 | 0.60 | |
| | SOT353 | 0.45 | |
| | DFN2*2-6 | 1.32 | |
| | SOT89-3 | 1.25 | |
| | SOT343R | 0.45 | |
| | FBP1*1-4 | 0.5 | |
| Thermal resistance (Junction to air) | SOT23-3 | 230 | °C/W |
| | SOT23-5 | 210 | |
| | SOT353 | 270 | |
| | DFN2*2-6 | 95 | |
| | SOT89-3 | 100 | |
| | SOT343R | 270 | |
| | FBP1*1-4 | 250 | |
| Operating Ambient Temperature Range | T_{OPR} | -40 ~ +85 | °C |
| Storage Temperature Range | T_{STG} | -55 ~ +150 | °C |
| Junction temperature | T_J | -40 ~ +150 | °C |

Electrical Characteristics

ME6211C08 ($V_{IN}=V_{OUT}+1V$, $V_{CE}=V_{IN}$, $C_{IN}=C_L=1\mu F$, $T_a=25^\circ C$, unless otherwise noted)

| Parameter | Symbol | Conditions | Min. | Typ. | Max. | Units |
|-----------------------------|--|--|--------------------------|--------------------------|-----------|---------------|
| Output Voltage | $V_{OUT(E)}$ (Note 2) | $I_{OUT}=30mA$, $V_{IN}=V_{OUT}+1V$ | X 0.99 | $V_{OUT(T)}$ (Note 1) | X 1.01 | V |
| Maximum Output Current | I_{OUTMAX} | $V_{IN}=V_{OUT}+1V$ | | 250 | | mA |
| Load Regulation | ΔV_{OUT} | $V_{IN}=V_{OUT}+1V$, $1mA \leq I_{OUT} \leq 100mA$ | | 7 | | mV |
| Dropout Voltage (Note 3) | V_{DIF1} | $I_{OUT}=100mA$ | | 600 | | mV |
| | V_{DIF2} | $I_{OUT}=200mA$ | | 850 | | mV |
| Supply Current | I_{SS} | $V_{IN}=V_{OUT}+1V$ | | 30 | 60 | μA |
| Stand-by Current | I_{CEL} | $V_{CE}=0V$ | | 0.1 | 1.0 | μA |
| Line Regulation | $\frac{\Delta V_{OUT}}{\Delta V_{IN} \cdot V_{OUT}}$ | $I_{OUT}=30mA$ $V_{OUT}+1V \leq V_{IN} \leq 6.5V$ | | 0.05 | | %/V |
| CE "High" Voltage | VCEH | Start up | 1.0 | | | V |
| CE "Low" Voltage | VCEL | Shut down | | | 0.5 | V |
| Output noise | EN | $I_{OUT}=40mA$, 300Hz~50kHz | | 50 | | μV_{rms} |
| Ripple Rejection Rate | PSRR | $V_{IN}=[V_{OUT}+1]V+1Vp-pAC$ | $I_{OUT}=10mA$, 1kHz | 70 | | dB |
| | | | $I_{OUT}=100mA$, 10kHz | 62 | | |

ME6211C10 ($V_{IN}=V_{OUT}+1V$, $V_{CE}=V_{IN}$, $C_{IN}=C_L=1\mu F$, $T_a=25^\circ C$, unless otherwise noted)

| Parameter | Symbol | Conditions | Min. | Typ. | Max. | Units |
|-----------------------------|--|--|--------------------------|--------------------------|-----------|---------------|
| Output Voltage | $V_{OUT(E)}$ (Note 2) | $I_{OUT}=30mA$, $V_{IN}=V_{OUT}+1V$ | X 0.99 | $V_{OUT(T)}$ (Note 1) | X 1.01 | V |
| Maximum Output Current | I_{OUTMAX} | $V_{IN}=V_{OUT}+1V$ | | 300 | | mA |
| Load Regulation | ΔV_{OUT} | $V_{IN}=V_{OUT}+1V$, $1mA \leq I_{OUT} \leq 100mA$ | | 5 | | mV |
| Dropout Voltage (Note 3) | V_{DIF1} | $I_{OUT}=100mA$ | | 400 | | mV |
| | V_{DIF2} | $I_{OUT}=200mA$ | | 650 | | mV |
| Supply Current | I_{SS} | $V_{IN}=V_{OUT}+1V$ | | 30 | 60 | μA |
| Stand-by Current | I_{CEL} | $V_{CE}=0V$ | | 0.1 | 1.0 | μA |
| Line Regulation | $\frac{\Delta V_{OUT}}{\Delta V_{IN} \cdot V_{OUT}}$ | $I_{OUT}=30mA$ $V_{OUT}+1V \leq V_{IN} \leq 6.5V$ | | 0.035 | | %/V |
| CE "High" Voltage | VCEH | Start up | 1.0 | | | V |
| CE "Low" Voltage | VCEL | Shut down | | | 0.5 | V |
| Output noise | EN | $I_{OUT}=40mA$, 300Hz~50kHz | | 50 | | μV_{rms} |
| Ripple Rejection Rate | PSRR | $V_{IN}=[V_{OUT}+1]V+1Vp-pAC$ | $I_{OUT}=10mA$, 1kHz | 70 | | dB |
| | | | $I_{OUT}=100mA$, 10kHz | 62 | | |

ME6211C12 ($V_{IN} = V_{OUT} + 1V$, $V_{CE} = V_{IN}$, $C_{IN} = C_L = 1\mu F$, $T_a = 25^\circ C$, unless otherwise noted)

| Parameter | Symbol | Conditions | Min. | Typ. | Max. | Units |
|-----------------------------|--|--|----------------------------|--------------------------|-----------|---------------|
| Output Voltage | $V_{OUT(E)}$ (Note 2) | $I_{OUT} = 30mA$, $V_{IN} = V_{OUT} + 1V$ | X 0.99 | $V_{OUT(T)}$ (Note 1) | X 1.01 | V |
| Maximum Output Current | I_{OUTMAX} | $V_{IN} = V_{OUT} + 1V$ | | 300 | | mA |
| Load Regulation | ΔV_{OUT} | $V_{IN} = V_{OUT} + 1V$, $1mA \leq I_{OUT} \leq 100mA$ | | 8 | | mV |
| Dropout Voltage (Note 3) | V_{DIF1} | $I_{OUT} = 100mA$ | | 280 | | mV |
| | V_{DIF2} | $I_{OUT} = 200mA$ | | 500 | | mV |
| Supply Current | I_{SS} | $V_{IN} = V_{OUT} + 1V$ | | 30 | 60 | μA |
| Stand-by Current | I_{CEL} | $V_{CE} = 0V$ | | 0.1 | 1.0 | μA |
| Line Regulation | $\frac{\Delta V_{OUT}}{\Delta V_{IN} \cdot V_{OUT}}$ | $I_{OUT} = 30mA$ $V_{OUT} + 1V \leq V_{IN} \leq 6.5V$ | | 0.03 | | %/V |
| CE "High" Voltage | VCEH | Start up | 1.0 | | | V |
| CE "Low" Voltage | VCEL | Shut down | | | 0.5 | V |
| Output noise | EN | $I_{OUT} = 40mA$, 300Hz~50kHz | | 50 | | μV_{rms} |
| Ripple Rejection Rate | PSRR | $V_{IN} = [V_{OUT} + 1]V$ $+1Vp-pAC$ | $I_{OUT} = 10mA$, 1kHz | 70 | | dB |
| | | | $I_{OUT} = 100mA$, 10kHz | 62 | | |

ME6211C15 ($V_{IN} = V_{OUT} + 1V$, $V_{CE} = V_{IN}$, $C_{IN} = C_L = 1\mu F$, unless otherwise noted)

| Parameter | Symbol | Conditions | Min. | Typ. | Max. | Units |
|-----------------------------|--|--|------------------------------|--------------------------|--------|---------------|
| Output Voltage | $V_{OUT(E)}$ (Note 2) | $I_{OUT} = 30mA$, $V_{IN} = V_{OUT} + 1V$ | X 0.99 | $V_{OUT(T)}$ (Note 1) | X 1.01 | V |
| Maximum Output Current | I_{OUTMAX} | $V_{IN} = V_{OUT} + 1V$ | | 300 | | mA |
| Load Regulation | ΔV_{OUT} | $V_{IN} = V_{OUT} + 1V$, $1mA \leq I_{OUT} \leq 100mA$ | | 9 | | mV |
| Dropout Voltage (Note 3) | V_{DIF1} | $I_{OUT} = 100mA$ | | 200 | | mV |
| | V_{DIF2} | $I_{OUT} = 200mA$ | | 400 | | mV |
| Supply Current | I_{SS} | $V_{IN} = V_{OUT} + 1V$ | | 30 | 60 | μA |
| Stand-by Current | I_{CEL} | $V_{CE} = 0V$ | | 0.1 | 1.0 | μA |
| Line Regulation | $\frac{\Delta V_{OUT}}{\Delta V_{IN} \cdot V_{OUT}}$ | $I_{OUT} = 30mA$ $V_{OUT} + 1V \leq V_{IN} \leq 6.5V$ | | 0.05 | | %/V |
| CE "High" Voltage | VCEH | Shut up | 1.0 | | | V |
| CE "Low" Voltage | VCEL | Start down | | | 0.5 | V |
| Output noise | EN | $I_{OUT} = 40mA$, 300Hz~50kHz | | 50 | | μV_{rms} |
| Ripple Rejection Rate | PSRR | $V_{IN} = [V_{OUT} + 1]V + 1Vp-pAC$ | $I_{OUT} = 10mA$, 1kHz | 70 | | dB |
| | | | $I_{OUT} = 100mA$, 10kHz | 62 | | |

ME6211C18 ($V_{IN}=V_{OUT}+1V$, $V_{CE}=V_{IN}$, $C_{IN}=C_L=1\mu F$, $T_a=25^\circ C$, unless otherwise noted)

| Parameter | Symbol | Conditions | Min. | Typ. | Max. | Units |
|-----------------------------|--|--|--------------------------|--------------------------|-----------|---------------|
| Output Voltage | $V_{OUT(E)}$ (Note 2) | $I_{OUT}=30mA$, $V_{IN}=V_{OUT}+1V$ | X 0.99 | $V_{OUT(T)}$ (Note 1) | X 1.01 | V |
| Maximum Output Current | I_{OUTMAX} | $V_{IN}=V_{OUT}+1V$ | | 300 | | mA |
| Load Regulation | ΔV_{OUT} | $V_{IN}=V_{OUT}+1V$, $1mA \leq I_{OUT} \leq 100mA$ | | 9 | | mV |
| Dropout Voltage (Note 3) | V_{DIF1} | $I_{OUT}=100mA$ | | 200 | | mV |
| | V_{DIF2} | $I_{OUT}=200mA$ | | 400 | | mV |
| Supply Current | I_{SS} | $V_{IN}=V_{OUT}+1V$ | | 30 | 60 | μA |
| Stand-by Current | I_{CEL} | $V_{CE}=0V$ | | 0.1 | 1.0 | μA |
| Line Regulation | $\frac{\Delta V_{OUT}}{\Delta V_{IN} \cdot V_{OUT}}$ | $I_{OUT}=30mA$ $V_{OUT}+1V \leq V_{IN} \leq 6.5V$ | | 0.05 | | %/V |
| CE "High" Voltage | VCEH | Start up | 1.0 | | | V |
| CE "Low" Voltage | VCEL | Shut down | | | 0.5 | V |
| Output noise | EN | $I_{OUT}=40mA$, 300Hz~50kHz | | 50 | | μV_{rms} |
| Ripple Rejection Rate | PSRR | $V_{IN}=[V_{OUT}+1]V+1V_{p-pAC}$ | $I_{OUT}=10mA$, 1kHz | 70 | | dB |
| | | | $I_{OUT}=100mA$, 10kHz | 62 | | |

ME6211C25 ($V_{IN}=V_{OUT}+1V$, $V_{CE}=V_{IN}$, $C_{IN}=C_L=1\mu F$, $T_a=25^\circ C$, unless otherwise noted)

| Parameter | Symbol | Conditions | Min. | Typ. | Max. | Units |
|-----------------------------|--|--|----------------------------|--------------------------|-------|---------------|
| Output Voltage | $V_{OUT(E)}$ (Note 2) | $I_{OUT}=30mA$, $V_{IN}=V_{OUT}+1V$ | X 0.99 | $V_{OUT(T)}$ (Note 1) | X1.01 | V |
| Maximum Output Current | I_{OUTMAX} | $V_{IN}=V_{OUT}+1V$ | | 400 | | mA |
| Load Regulation | ΔV_{OUT} | $V_{IN}=V_{OUT}+1V$, $1mA \leq I_{OUT} \leq 100mA$ | | 9 | | mV |
| Dropout Voltage (Note 3) | V_{DIF1} | $I_{OUT}=100mA$ | | 110 | | mV |
| | V_{DIF2} | $I_{OUT}=200mA$ | | 220 | | mV |
| Supply Current | I_{SS} | $V_{IN}=V_{OUT}+1V$ | | 30 | 60 | μA |
| Stand-by Current | I_{CEL} | $V_{CE}=0V$ | | 0.1 | 1.0 | μA |
| Line Regulation | $\frac{\Delta V_{OUT}}{\Delta V_{IN} \cdot V_{OUT}}$ | $I_{OUT}=30mA$ $V_{OUT}+1V \leq V_{IN} \leq 6.5V$ | | 0.04 | | %/V |
| CE "High" Voltage | VCEH | Start up | 1.0 | | | V |
| CE "Low" Voltage | VCEL | Shut down | | | 0.5 | V |
| Output noise | EN | $I_{OUT}=40mA$, 300Hz~50kHz | | 50 | | μV_{rms} |
| Ripple Rejection Rate | PSRR | $V_{IN}=[V_{OUT}+1]V+1V_{p-pAC}$ | $I_{OUT}=10mA$, 1kHz | 70 | | dB |
| | | | $I_{OUT}=100mA$, 10kHz | 62 | | |
| | | | $I_{OUT}=200mA$, 10kHz | 62 | | |
| Short-circuit Current | I_{SHORT} | $V_{IN}=V_{OUT}+1V$, $V_{CE}=V_{IN}$, $V_{OUT}=0V$ | | 60 | | mA |

ME6211C28 ($V_{IN} = V_{OUT} + 1V$, $V_{CE} = V_{IN}$, $C_{IN} = C_L = 1\mu F$, $T_a = 25^\circ C$, unless otherwise noted)

| Parameter | Symbol | Conditions | Min. | Typ. | Max. | Units |
|-----------------------------|--|--|--------------------------|--------------------------|-------|---------------|
| Output Voltage | $V_{OUT(E)}$ (Note 2) | $I_{OUT} = 30mA$, $V_{IN} = V_{OUT} + 1V$ | X 0.99 | $V_{OUT(T)}$ (Note 1) | X1.01 | V |
| Maximum Output Current | I_{OUTMAX} | $V_{IN} = V_{OUT} + 1V$ | | 450 | | mA |
| Load Regulation | ΔV_{OUT} | $V_{IN} = V_{OUT} + 1V$, $1mA \leq I_{OUT} \leq 100mA$ | | 7 | | mV |
| Dropout Voltage (Note 3) | V_{DIF1} | $I_{OUT} = 100mA$ | | 110 | | mV |
| | V_{DIF2} | $I_{OUT} = 200mA$ | | 220 | | mV |
| Supply Current | I_{SS} | $V_{IN} = V_{OUT} + 1V$ | | 30 | 60 | μA |
| Stand-by Current | I_{CEL} | $V_{CE} = 0V$ | | 0.1 | 1.0 | μA |
| Line Regulation | $\frac{\Delta V_{OUT}}{\Delta V_{IN} \cdot V_{OUT}}$ | $I_{OUT} = 30mA$ $V_{OUT} + 1V \leq V_{IN} \leq 6.5V$ | | 0.04 | | %/V |
| CE "High" Voltage | VCEH | Start up | 1.0 | | | V |
| CE "Low" Voltage | VCEL | Shut down | | | 0.5 | V |
| Output noise | EN | $I_{OUT} = 40mA$, 300Hz~50kHz | | 50 | | μV_{rms} |
| Ripple Rejection Rate | PSRR | $V_{IN} = [V_{OUT} + 1]V + 1V_{p-pAC}$ | $I_{OUT} = 10mA, 1kHz$ | 70 | | dB |
| | | | $I_{OUT} = 100mA, 10kHz$ | 62 | | |
| | | | $I_{OUT} = 200mA, 10kHz$ | 62 | | |
| Short-circuit Current | I_{SHORT} | $V_{IN} = V_{OUT} + 1V$, $V_{CE} = V_{IN}$, $V_{OUT} = 0V$ | | 65 | | mA |

ME6211C30 ($V_{IN} = V_{OUT} + 1V$, $V_{CE} = V_{IN}$, $C_{IN} = C_L = 1\mu F$, $T_a = 25^\circ C$, unless otherwise noted)

| Parameter | Symbol | Conditions | Min. | Typ. | Max. | Units |
|-----------------------------|--|--|--------------------------|--------------------------|--------|---------------|
| Output Voltage | $V_{OUT(E)}$ (Note 2) | $I_{OUT} = 30mA$, $V_{IN} = V_{OUT} + 1V$ | X 0.99 | $V_{OUT(T)}$ (Note 1) | X 1.01 | V |
| Maximum Output Current | I_{OUTMAX} | $V_{IN} = V_{OUT} + 1V$ | | 500 | | mA |
| Load Regulation | ΔV_{OUT} | $V_{IN} = V_{OUT} + 1V$, $1mA \leq I_{OUT} \leq 100mA$ | | 8 | | mV |
| Dropout Voltage (Note 3) | V_{DIF1} | $I_{OUT} = 100mA$ | | 100 | | mV |
| | V_{DIF2} | $I_{OUT} = 200mA$ | | 210 | | mV |
| Supply Current | I_{SS} | $V_{IN} = V_{OUT} + 1V$ | | 30 | 60 | μA |
| Stand-by Current | I_{CEL} | $V_{CE} = 0V$ | | 0.1 | 1.0 | μA |
| Line Regulation | $\frac{\Delta V_{OUT}}{\Delta V_{IN} \cdot V_{OUT}}$ | $I_{OUT} = 30mA$ $V_{OUT} + 1V \leq V_{IN} \leq 6.5V$ | | 0.05 | | %/V |
| CE "High" Voltage | VCEH | Start up | 1.0 | | | V |
| CE "Low" Voltage | VCEL | Shut down | | | 0.5 | V |
| Output noise | EN | $I_{OUT} = 40mA$, 300Hz~50kHz | | 50 | | μV_{rms} |
| Ripple Rejection Rate | PSRR | $V_{IN} = [V_{OUT} + 1]V + 1V_{p-pAC}$ | $I_{OUT} = 10mA, 1kHz$ | 70 | | dB |
| | | | $I_{OUT} = 100mA, 10kHz$ | 62 | | |
| | | | $I_{OUT} = 200mA, 10kHz$ | 62 | | |
| Short-circuit Current | I_{SHORT} | $V_{IN} = V_{OUT} + 1V$, $V_{CE} = V_{IN}$, $V_{OUT} = 0V$ | | 65 | | mA |

ME6211C33 ($V_{IN}=V_{OUT}+1V$, $V_{CE}=V_{IN}$, $C_{IN}=C_L=1\mu F$, $T_a=25^{\circ}C$, unless otherwise noted)

| Parameter | Symbol | Conditions | Min. | Typ. | Max. | Units |
|-----------------------------|--|--|------------------------|--------------------------|-----------|---------------|
| Output Voltage | $V_{OUT(E)}$ (Note 2) | $I_{OUT}=30mA$, $V_{IN}=V_{OUT}+1V$ | X 0.99 | $V_{OUT(T)}$ (Note 1) | X 1.01 | V |
| Maximum Output Current | I_{OUTMAX} | $V_{IN}=V_{OUT}+1V$ | | 500 | | mA |
| Load Regulation | ΔV_{OUT} | $V_{IN}=V_{OUT}+1V$, $1mA \leq I_{OUT} \leq 100mA$ | | 9 | | mV |
| Dropout Voltage (Note 3) | V_{DIF1} | $I_{OUT}=100mA$ | | 120 | | mV |
| | V_{DIF2} | $I_{OUT}=200mA$ | | 260 | | mV |
| Supply Current | I_{SS} | $V_{IN}=V_{OUT}+1V$ | | 30 | 60 | μA |
| Stand-by Current | I_{CEL} | $V_{CE}=0V$ | | 0.1 | 1.0 | μA |
| Line Regulation | $\frac{\Delta V_{OUT}}{\Delta V_{IN} \cdot V_{OUT}}$ | $I_{OUT}=30mA$ $V_{OUT}+1V \leq V_{IN} \leq 6.5V$ | | 0.05 | | %/V |
| CE "High" Voltage | VCEH | Start up | 1.0 | | | V |
| CE "Low" Voltage | VCEL | Shut down | | | 0.5 | V |
| Output noise | EN | $I_{OUT}=40mA$, 300Hz~50kHz | | 50 | | μV_{rms} |
| Ripple Rejection Rate | PSRR | $V_{IN}=[V_{OUT}+1]V$ $+1Vp-pAC$ | $I_{OUT}=10mA, 1kHz$ | 70 | | dB |
| | | | $I_{OUT}=100mA, 10kHz$ | 62 | | |
| | | | $I_{OUT}=200mA, 10kHz$ | 62 | | |
| Short-circuit Current | I_{SHORT} | $V_{IN}=V_{OUT}+1V$, $V_{CE}=V_{IN}$, $V_{OUT}=0V$ | | 70 | | mA |

ME6211C33 (SOT343R, FBP1*1-4L, SOT353)

($V_{IN}=V_{OUT}+1V$, $V_{CE}=V_{IN}$, $C_{IN}=C_L=1\mu F$, $T_a=25^{\circ}C$, unless otherwise noted)

| Parameter | Symbol | Conditions | Min. | Typ. | Max. | Units |
|-----------------------------|--|--|------------------------|--------------------------|-----------|---------------|
| Output Voltage | $V_{OUT(E)}$ (Note 2) | $I_{OUT}=30mA$, $V_{IN}=V_{OUT}+1V$ | X 0.99 | $V_{OUT(T)}$ (Note 1) | X 1.01 | V |
| Maximum Output Current | I_{OUTMAX} | $V_{IN}=V_{OUT}+1V$ | | 400 | | mA |
| Load Regulation | ΔV_{OUT} | $V_{IN}=V_{OUT}+1V$, $1mA \leq I_{OUT} \leq 100mA$ | | 9 | | mV |
| Dropout Voltage (Note 3) | V_{DIF1} | $I_{OUT}=100mA$ | | 120 | | mV |
| | V_{DIF2} | $I_{OUT}=200mA$ | | 260 | | mV |
| Supply Current | I_{SS} | $V_{IN}=V_{OUT}+1V$ | | 30 | 60 | μA |
| Stand-by Current | I_{CEL} | $V_{CE}=0V$ | | 0.1 | 1.0 | μA |
| Line Regulation | $\frac{\Delta V_{OUT}}{\Delta V_{IN} \cdot V_{OUT}}$ | $I_{OUT}=30mA$ $V_{OUT}+1V \leq V_{IN} \leq 6.5V$ | | 0.05 | | %/V |
| CE "High" Voltage | VCEH | Start up | 1.0 | | | V |
| CE "Low" Voltage | VCEL | Shut down | | | 0.5 | V |
| Output noise | EN | $I_{OUT}=40mA$, 300Hz~50kHz | | 50 | | μV_{rms} |
| Ripple Rejection Rate | PSRR | $V_{IN}=[V_{OUT}+1]V$ $+1Vp-pAC$ | $I_{OUT}=10mA, 1kHz$ | 70 | | dB |
| | | | $I_{OUT}=100mA, 10kHz$ | 62 | | |
| | | | $I_{OUT}=200mA, 10kHz$ | 62 | | |
| Short-circuit Current | I_{SHORT} | $V_{IN}=V_{OUT}+1V$, $V_{CE}=V_{IN}$, $V_{OUT}=0V$ | | 70 | | mA |

ME6211C36 ($V_{IN}=V_{OUT}+1V, V_{CE}=V_{IN}, C_{IN}=C_L=1\mu F, T_a=25^\circ C$, unless otherwise noted)

| Parameter | Symbol | Conditions | Min. | Typ. | Max. | Units |
|-----------------------------|--|---|------------------------|--------------------------|--------|---------------|
| Output Voltage | $V_{OUT(E)}$ (Note 2) | $I_{OUT}=30mA,$ $V_{IN}=V_{OUT}+1V$ | X 0.99 | $V_{OUT(T)}$ (Note 1) | X 1.01 | V |
| Maximum Output Current | I_{OUTMAX} | $V_{IN}=V_{OUT}+1V$ | | 400 | | mA |
| Load Regulation | ΔV_{OUT} | $V_{IN}=V_{OUT}+1V,$ $1mA \leq I_{OUT} \leq 100mA$ | | 8 | | mV |
| Dropout Voltage (Note 3) | V_{DIF1} | $I_{OUT}=100mA$ | | 100 | | mV |
| | V_{DIF2} | $I_{OUT}=200mA$ | | 200 | | mV |
| Supply Current | I_{SS} | $V_{IN}=V_{OUT}+1V$ | | 40 | 60 | μA |
| Stand-by Current | I_{CEL} | $V_{CE}=0V$ | | 0.1 | 1.0 | μA |
| Line Regulation | $\frac{\Delta V_{OUT}}{\Delta V_{IN} \cdot V_{OUT}}$ | $I_{OUT}=30mA$ $V_{OUT}+1V \leq V_{IN} \leq 6.5V$ | | 0.05 | | %/V |
| CE "High" Voltage | VCEH | Start up | 1.0 | | | V |
| CE "Low" Voltage | VCEL | Shut down | | | 0.5 | V |
| Output noise | EN | $I_{OUT}=40mA,$ 300Hz~50kHz | | 50 | | μV_{rms} |
| Ripple Rejection Rate | PSRR | $V_{IN}=[V_{OUT}+1]V$ $+1V_{p-pAC}$ | $I_{OUT}=10mA, 1kHz$ | 70 | | dB |
| | | | $I_{OUT}=100mA, 10kHz$ | 62 | | |
| | | | $I_{OUT}=200mA, 10kHz$ | 62 | | |
| Short-circuit Current | I_{SHORT} | $V_{IN}=V_{OUT}+1V, V_{CE}=V_{IN}, V_{OUT}=0V$ | | 100 | | mA |

ME6211C50 ($V_{IN}=V_{OUT}+1V, V_{CE}=V_{IN}, C_{IN}=C_L=1\mu F, T_a=25^\circ C$, unless otherwise noted)

| Parameter | Symbol | Conditions | Min. | Typ. | Max. | Units |
|-----------------------------|--|---|--------|--------------------------|--------|---------------|
| Output Voltage | $V_{OUT(E)}$ (Note 2) | $I_{OUT}=30mA,$ $V_{IN}=V_{OUT}+1V$ | X 0.99 | $V_{OUT(T)}$ (Note 1) | X 1.01 | V |
| Maximum Output Current | I_{OUTMAX} | $V_{IN}=V_{OUT}+1V$ | | 500 | | mA |
| Load Regulation | ΔV_{OUT} | $V_{IN}=V_{OUT}+1V,$ $1mA \leq I_{OUT} \leq 100mA$ | | 8 | | mV |
| Dropout Voltage (Note 3) | V_{DIF1} | $I_{OUT}=100mA$ | | 100 | | mV |
| | V_{DIF2} | $I_{OUT}=200mA$ | | 200 | | mV |
| Supply Current | I_{SS} | $V_{IN}=V_{OUT}+1V$ | | 40 | 60 | μA |
| Stand-by Current | I_{CEL} | $V_{CE}=0V$ | | 0.1 | 1.0 | μA |
| Line Regulation | $\frac{\Delta V_{OUT}}{\Delta V_{IN} \cdot V_{OUT}}$ | $I_{OUT}=30mA$ $V_{OUT}+1V \leq V_{IN} \leq 6.5V$ | | 0.05 | | %/V |
| CE "High" Voltage | VCEH | Start up | 1.0 | | | V |
| CE "Low" Voltage | VCEL | Shut down | | | 0.7 | V |
| Output noise | EN | $I_{OUT}=40mA,$ 300Hz~50kHz | | 50 | | μV_{rms} |
| Ripple Rejection Rate | PSRR | $V_{IN}=[V_{OUT}+1]V$ $I_{OUT}=10mA, 1kHz$ | | 70 | | dB |

| | | | | | | | |
|-----------------------|--------------------|---|-------------------------------|--|-----|--|----|
| | | +1]V +1Vp-pAC | I _{OUT} =100mA,10kHz | | 62 | | |
| | | | I _{OUT} =200mA,10kHz | | 62 | | |
| Short-circuit Current | I _{SHORT} | V _{IN} = V _{OUT} +1V, V _{CE} =V _{IN} , V _{OUT} =0V | | | 100 | | mA |

ME6211A30 (V_{IN}= V_{OUT}+1V, C_{IN}=C_L=1uF, Ta=25°C, unless otherwise noted)

| Parameter | Symbol | Conditions | Min. | Typ. | Max. | Units | |
|-----------------------------|--|---|-----------------------------|----------------------------------|-----------|-------|----|
| Output Voltage | V _{OUT} (E) (Note 2) | I _{OUT} =30mA, V _{IN} = V _{OUT} +1V | X 0.99 | V _{OUT} (T) (Note 1) | X 1.01 | V | |
| Maximum Output Current | I _{OUTMAX} | V _{IN} = V _{OUT} +1V | | 500 | | mA | |
| Load Regulation | ΔV _{OUT} | V _{IN} = V _{OUT} +1V , 1mA≤I _{OUT} ≤100mA | | 8 | | mV | |
| Dropout Voltage (Note 3) | V _{DIF1} | I _{OUT} =100mA | | 100 | | mV | |
| | V _{DIF2} | I _{OUT} =200mA | | 210 | | mV | |
| Supply Current | I _{SS} | V _{IN} = V _{OUT} +1V | | 30 | 60 | μA | |
| Line Regulation | $\frac{\Delta V_{OUT}}{\Delta V_{IN} \cdot V_{OUT}}$ | I _{OUT} =30mA V _{OUT} +1V ≤V _{IN} ≤6.5V | | 0.05 | | %/V | |
| Output noise | EN | I _{OUT} =40mA, 300Hz~50kHz | | 50 | | uVrms | |
| Ripple Rejection Rate | PSRR | V _{IN} = [V _{OUT} +1]V +1Vp-pAC | I _{OUT} =10mA,1kHz | | 70 | | dB |
| | | I _{OUT} =100mA,10kHz | | 62 | | | |
| | | I _{OUT} =200mA,10kHz | | 62 | | | |
| Short-circuit Current | I _{SHORT} | V _{IN} = V _{OUT} +1V, V _{CE} =V _{IN} , V _{OUT} =0V | | | 65 | | mA |

ME6211A33 (V_{IN}= V_{OUT}+1V, C_{IN}=C_L=1uF, Ta=25°C, unless otherwise noted)

| Parameter | Symbol | Conditions | Min. | Typ. | Max. | Units | |
|-----------------------------|--|---|-----------------------------|----------------------------------|-----------|-------|----|
| Output Voltage | V _{OUT} (E) (Note 2) | I _{OUT} =30mA, V _{IN} = V _{OUT} +1V | X 0.99 | V _{OUT} (T) (Note 1) | X 1.01 | V | |
| Maximum Output Current | I _{OUTMAX} | V _{IN} = V _{OUT} +1V | | 500 | | mA | |
| Load Regulation | ΔV _{OUT} | V _{IN} = V _{OUT} +1V , 1mA≤I _{OUT} ≤100mA | | 9 | | mV | |
| Dropout Voltage (Note 3) | V _{DIF1} | I _{OUT} =100mA | | 120 | | mV | |
| | V _{DIF2} | I _{OUT} =200mA | | 260 | | mV | |
| Supply Current | I _{SS} | V _{IN} = V _{OUT} +1V | | 30 | 60 | μA | |
| Line Regulation | $\frac{\Delta V_{OUT}}{\Delta V_{IN} \cdot V_{OUT}}$ | I _{OUT} =30mA V _{OUT} +1V ≤V _{IN} ≤6.5V | | 0.1 | 1.0 | %/V | |
| Output noise | EN | I _{OUT} =40mA, 300Hz~50kHz | | 50 | | uVrms | |
| Ripple Rejection Rate | PSRR | V _{IN} = [V _{OUT} +1]V +1Vp-pAC | I _{OUT} =10mA,1kHz | | 70 | | dB |
| | | I _{OUT} =100mA,10kHz | | 62 | | | |
| | | I _{OUT} =200mA,10kHz | | 62 | | | |
| Short-circuit Current | I _{SHORT} | V _{IN} = V _{OUT} +1V, V _{OUT} =0V | | | 70 | | mA |

ME6211A25 ($V_{IN}=V_{OUT}+1V$, $C_{IN}=C_L=1\mu F$, $T_a=25^\circ C$, unless otherwise noted)

| Parameter | Symbol | Conditions | Min. | Typ. | Max. | Units |
|-----------------------------|--|--|------------------------|--------------------------|-----------|---------------|
| Output Voltage | $V_{OUT}(E)$ (Note 2) | $I_{OUT}=30mA$, $V_{IN}=V_{OUT}+1V$ | X 0.99 | $V_{OUT}(T)$ (Note 1) | X 1.01 | V |
| Maximum Output Current | I_{OUTMAX} | $V_{IN}=V_{OUT}+1V$ | | 400 | | mA |
| Load Regulation | ΔV_{OUT} | $V_{IN}=V_{OUT}+1V$, $1mA \leq I_{OUT} \leq 100mA$ | | 9 | | mV |
| Dropout Voltage (Note 3) | V_{DIF1} | $I_{OUT}=100mA$ | | 80 | | mV |
| | V_{DIF2} | $I_{OUT}=200mA$ | | 180 | | mV |
| Supply Current | I_{SS} | $V_{IN}=V_{OUT}+1V$ | | 30 | 60 | μA |
| Line Regulation | $\frac{\Delta V_{OUT}}{\Delta V_{IN} \cdot V_{OUT}}$ | $I_{OUT}=30mA$ $V_{OUT}+1V \leq V_{IN} \leq 6.5V$ | | 0.1 | 1.0 | %/V |
| Output noise | EN | $I_{OUT}=40mA$, 300Hz~50kHz | | 50 | | μV_{rms} |
| Ripple Rejection Rate | PSRR | $V_{IN}=[V_{OUT}+1]V$ $+1V_{p-pAC}$ | $I_{OUT}=10mA, 1kHz$ | | 70 | dB |
| | | | $I_{OUT}=100mA, 10kHz$ | | 62 | |
| | | | $I_{OUT}=200mA, 10kHz$ | | 62 | |
| Short-circuit Current | I_{SHORT} | $V_{IN}=V_{OUT}+1V$, $V_{OUT}=0V$ | | 60 | | mA |

ME6211H15 ($V_{IN}=V_{OUT}+1V$, $V_{CE}=GND$, $C_{IN}=C_L=1\mu F$, $T_a=25^\circ C$, unless otherwise noted)

| Parameter | Symbol | Conditions | Min. | Typ. | Max. | Units |
|-----------------------------|--|--|----------------------|--------------------------|-----------|---------------|
| Output Voltage | $V_{OUT}(E)$ (Note 2) | $I_{OUT}=30mA$, $V_{IN}=V_{OUT}+1V$ | X 0.98 | $V_{OUT}(T)$ (Note 1) | X 1.02 | V |
| Maximum Output Current | I_{OUTMAX} | $V_{IN}=V_{OUT}+1V$ | | 300 | | mA |
| Load Regulation | ΔV_{OUT} | $V_{IN}=V_{OUT}+1V$, $1mA \leq I_{OUT} \leq 100mA$ | | 9 | | mV |
| Dropout Voltage (Note 3) | V_{DIF1} | $I_{OUT}=100mA$ | | 200 | | mV |
| | V_{DIF2} | $I_{OUT}=200mA$ | | 400 | | mV |
| Supply Current | I_{SS} | $V_{IN}=V_{OUT}+1V$ | | 30 | 60 | μA |
| Stand-by Current | I_{CEL} | $V_{CE}=V_{IN}$ | | 0.1 | 1.0 | μA |
| Line Regulation | $\frac{\Delta V_{OUT}}{\Delta V_{IN} \cdot V_{OUT}}$ | $I_{OUT}=30mA$ $V_{OUT}+1V \leq V_{IN} \leq 6.5V$ | | 0.05 | | %/V |
| CE "High" Voltage | VCEH | Shut down | 1.0 | | | V |
| CE "Low" Voltage | VCEL | Start up | | | 0.4 | V |
| Output noise | EN | $I_{OUT}=40mA$, 300Hz~50kHz | | 50 | | μV_{rms} |
| Ripple Rejection Rate | PSRR | $V_{IN}=[V_{OUT}+1]V+1V_{p-pAC}$ | $I_{OUT}=10mA, 1kHz$ | | 70 | dB |

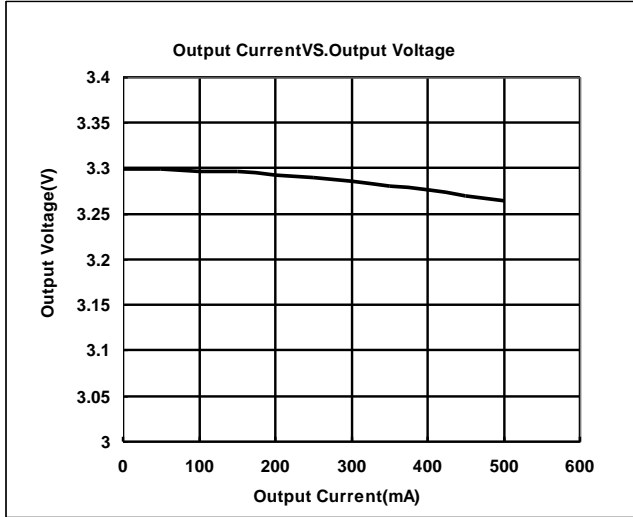
Note :

- $V_{OUT}(T)$: Specified Output Voltage
- $V_{OUT}(E)$: Effective Output Voltage (i.e. The output voltage when " $V_{OUT}(T)+1.0V$ " is provided at the V_{in} pin while maintaining a certain I_{out} value.)
- V_{DIF} : $V_{IN1}-V_{OUT}(E)$
 V_{IN1} : The input voltage when $V_{OUT}(E)$ appears as input voltage is gradually decreased.
 $V_{OUT}(E)$: A voltage equal to 98% of the output voltage whenever an amply stabilized I_{out} ($V_{OUT}(T)+1.0V$) is input.

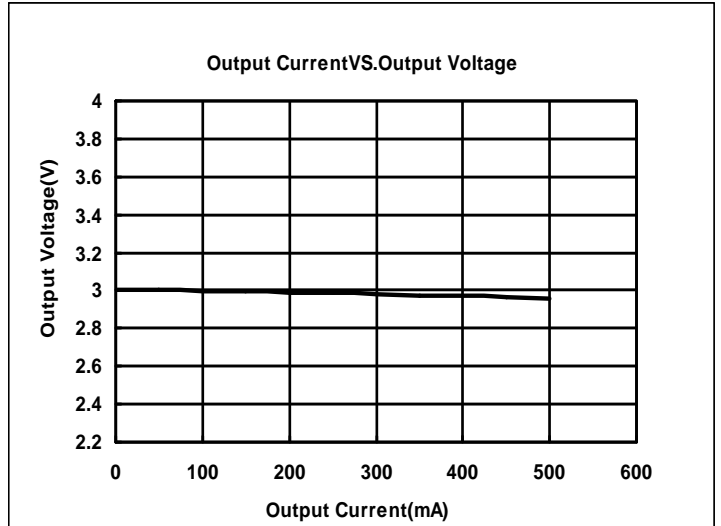
Type Characteristics

(1) Output Current VS. Output Voltage ($V_{IN}=V_{out}+1$, $T_a = 25^\circ\text{C}$)

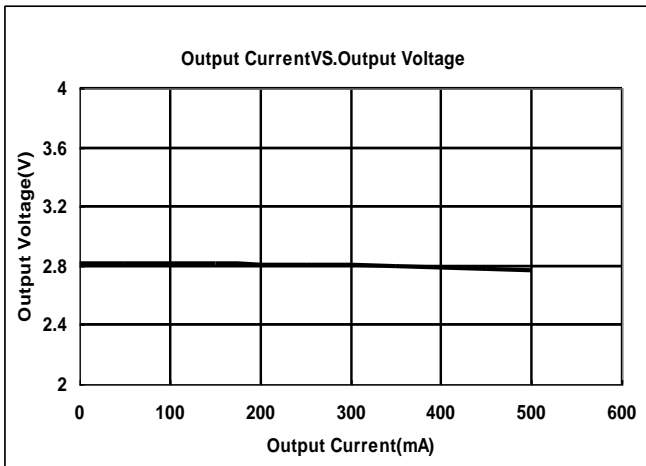
ME6211C33M5G



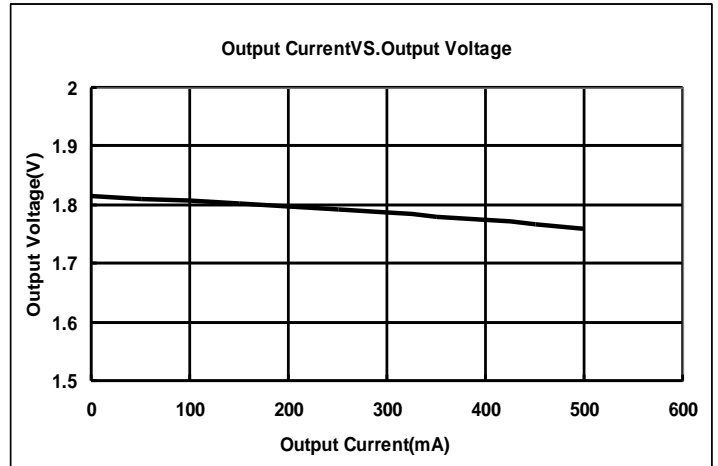
ME6211C30M5G



ME6211C28M5G

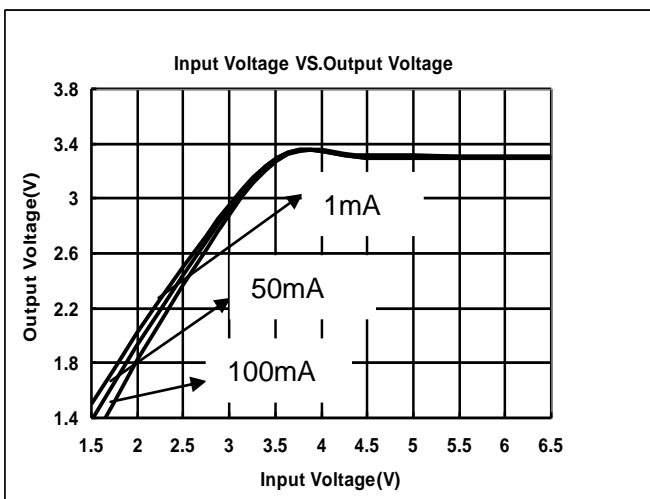


ME6211C18M5G

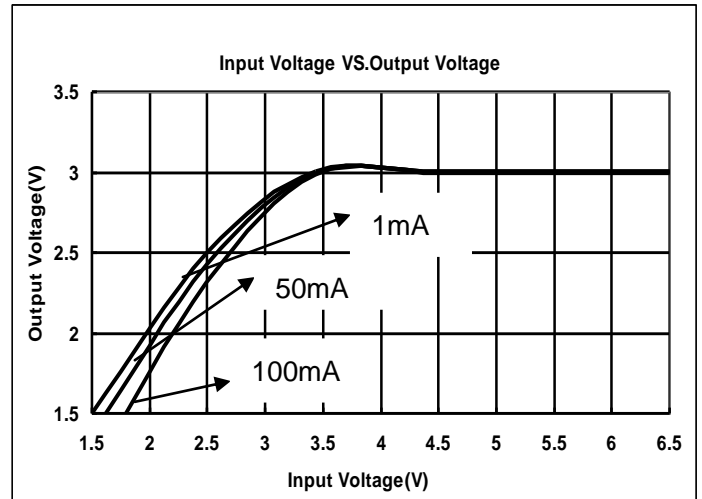


(2) Input Voltage VS. Output Voltage ($T_a = 25^\circ\text{C}$)

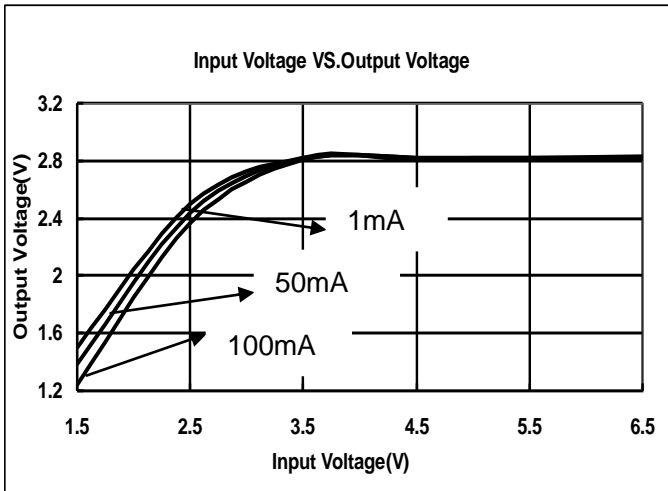
ME6211C33M5G



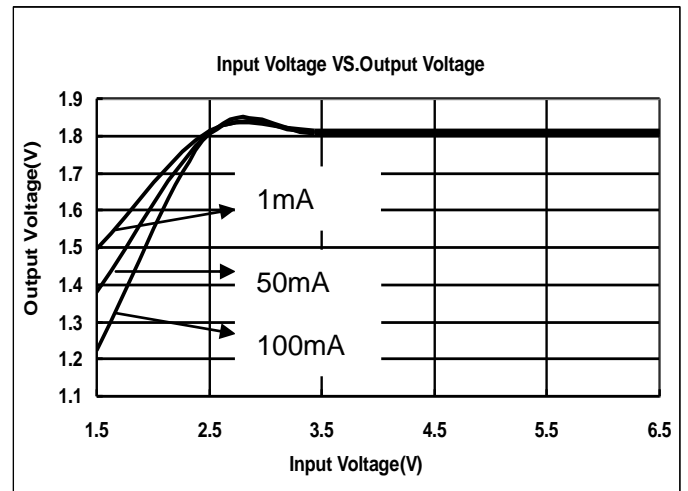
ME6211C30M5G



ME6211C28M5G

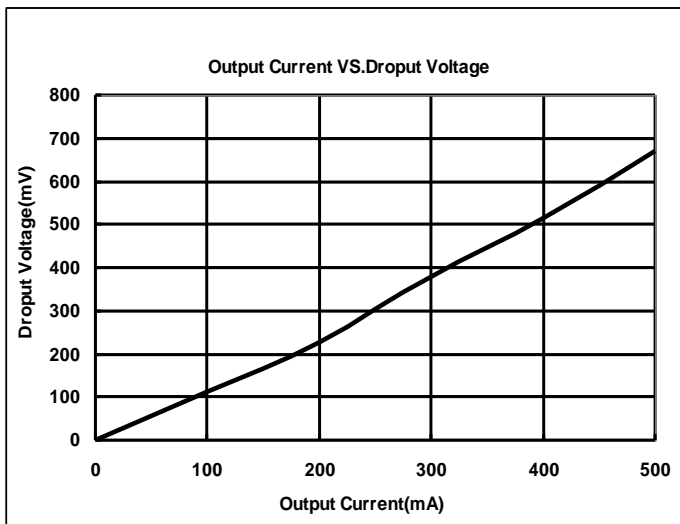


ME6211C18M5G

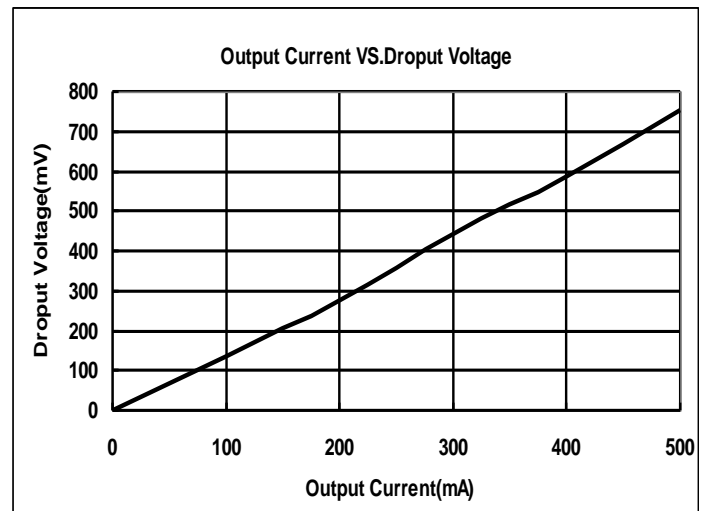


(3) Output Current VS. Dropout Voltage ($V_{IN}=V_{out}+1V, T_a = 25^\circ C$)

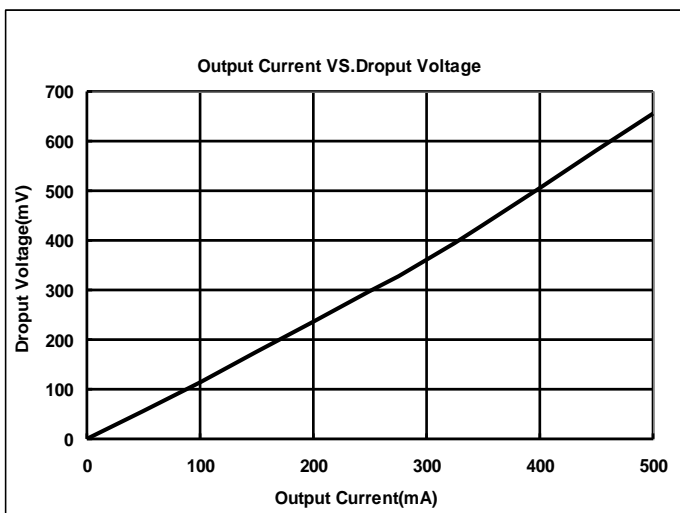
ME6211C33M5G



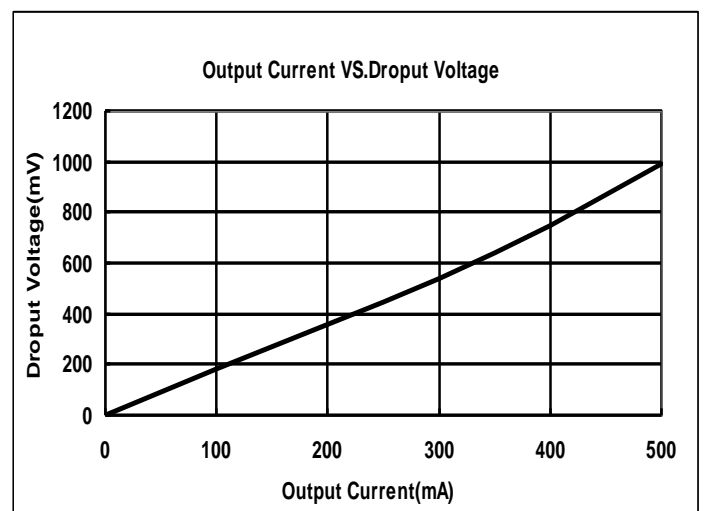
ME6211C30M5G



ME6211C28M5G

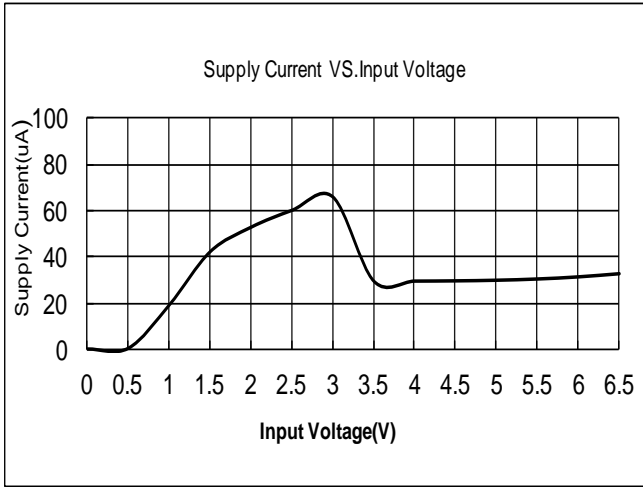


ME6211C18M5G

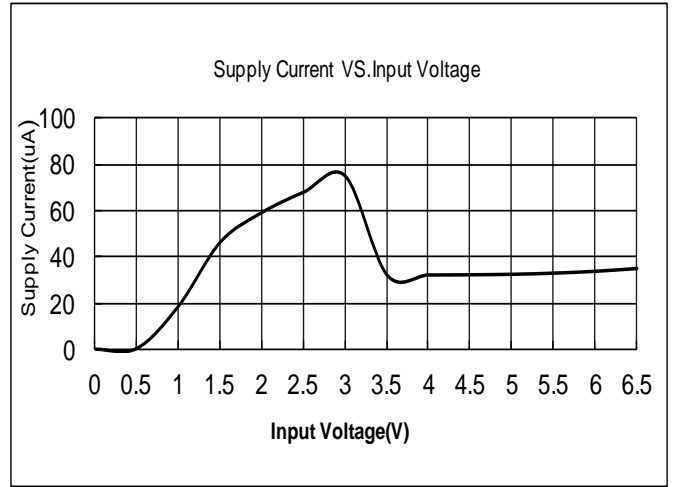


(4) Input Voltage VS. Supply Current ($T_a = 25\text{ }^\circ\text{C}$)

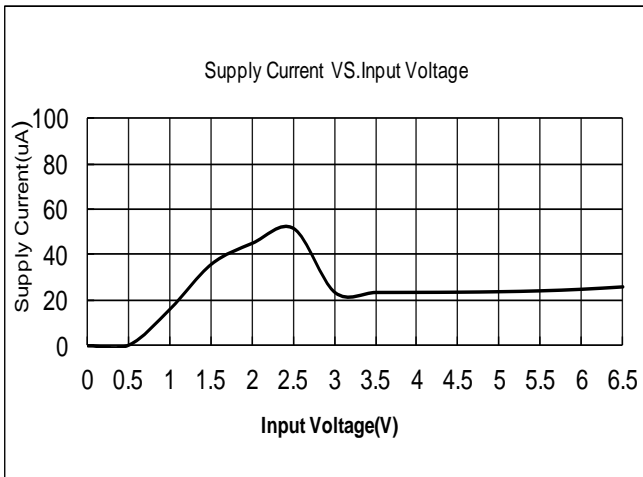
ME6211C33M5G



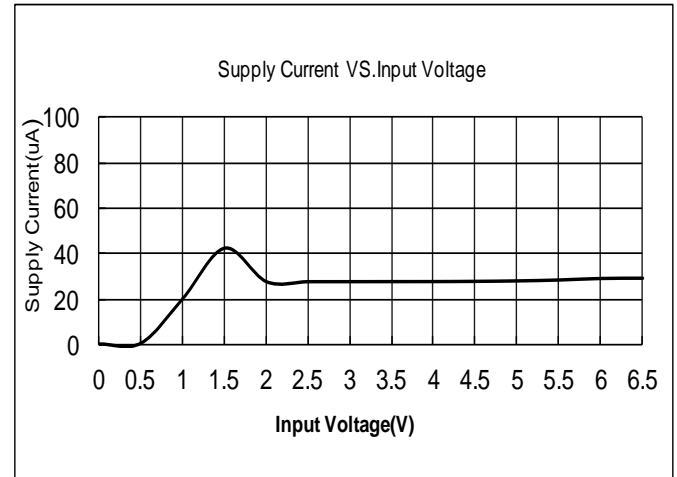
ME6211C30M5G



ME6211C28M5G

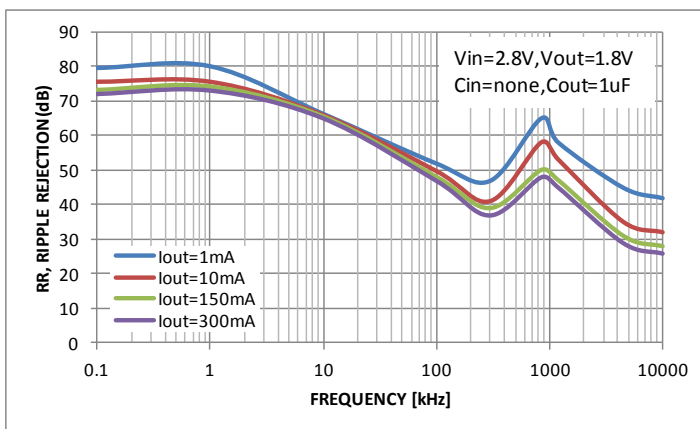


ME6211C18M5G

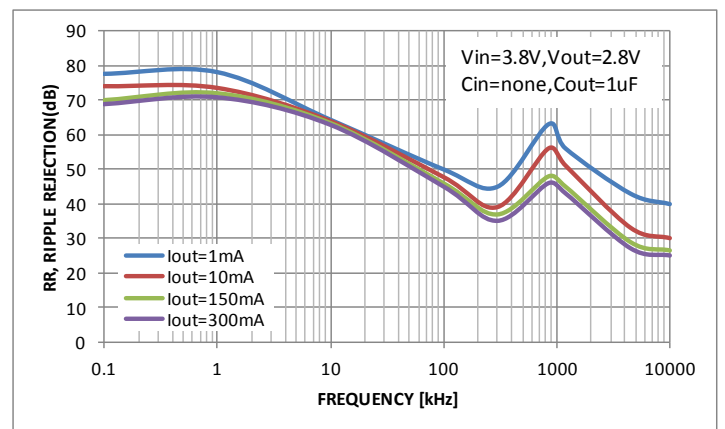


(5) PSRR

ME6211C18M5G

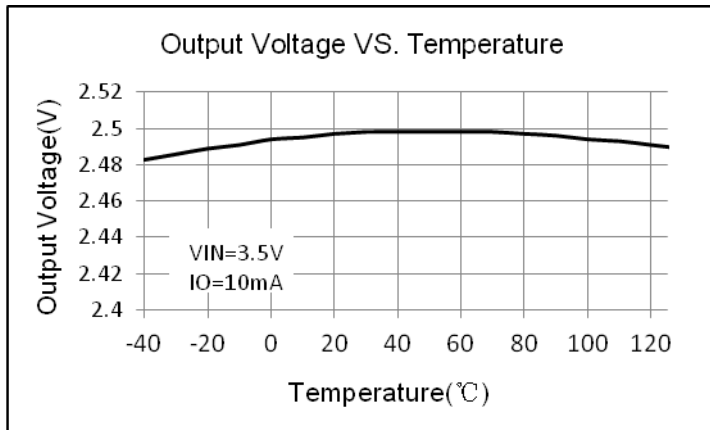


ME6211C28M5G



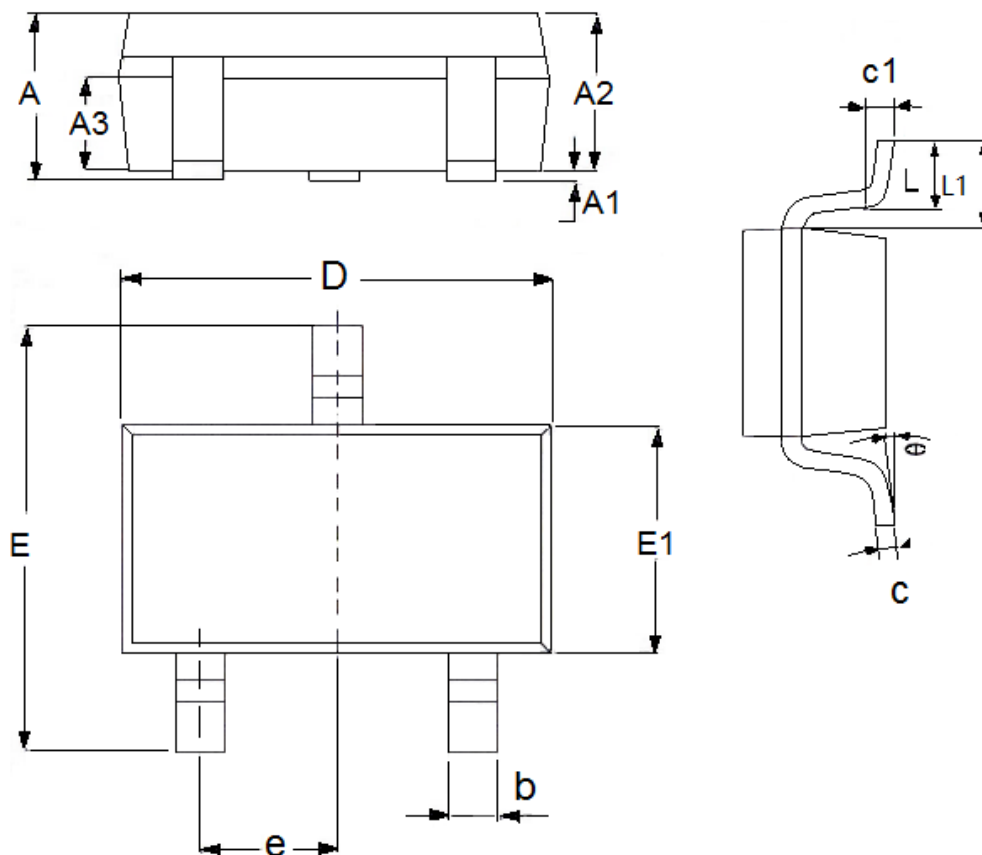
(6) Temperature vs. Output Voltage

ME6211C25



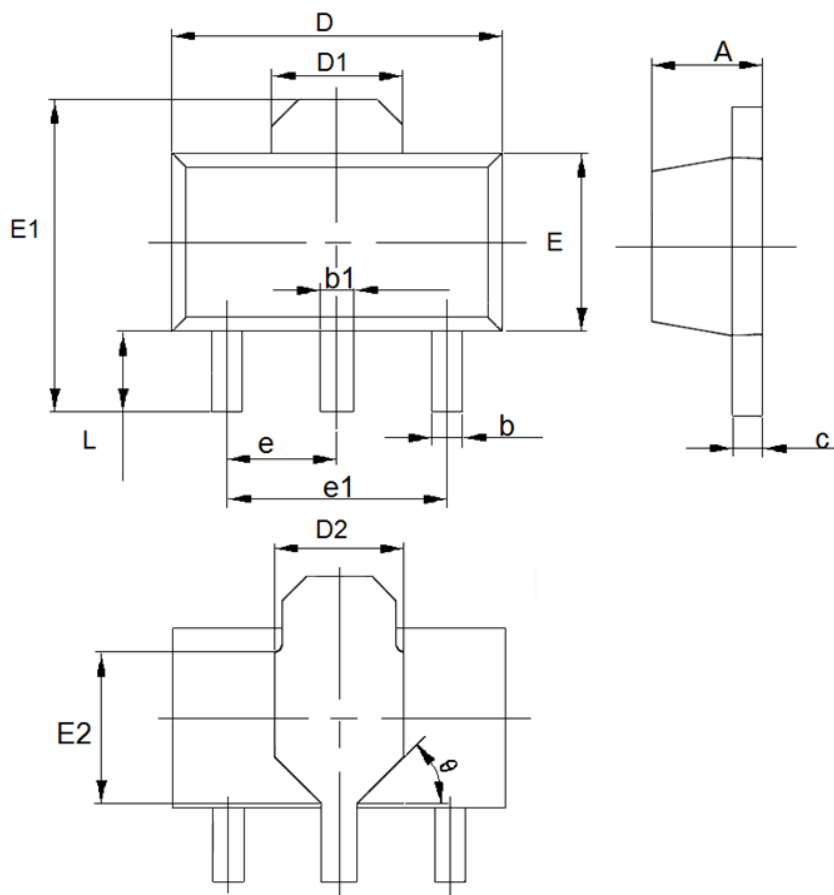
Packaging Information

- Package Type: SOT23-3



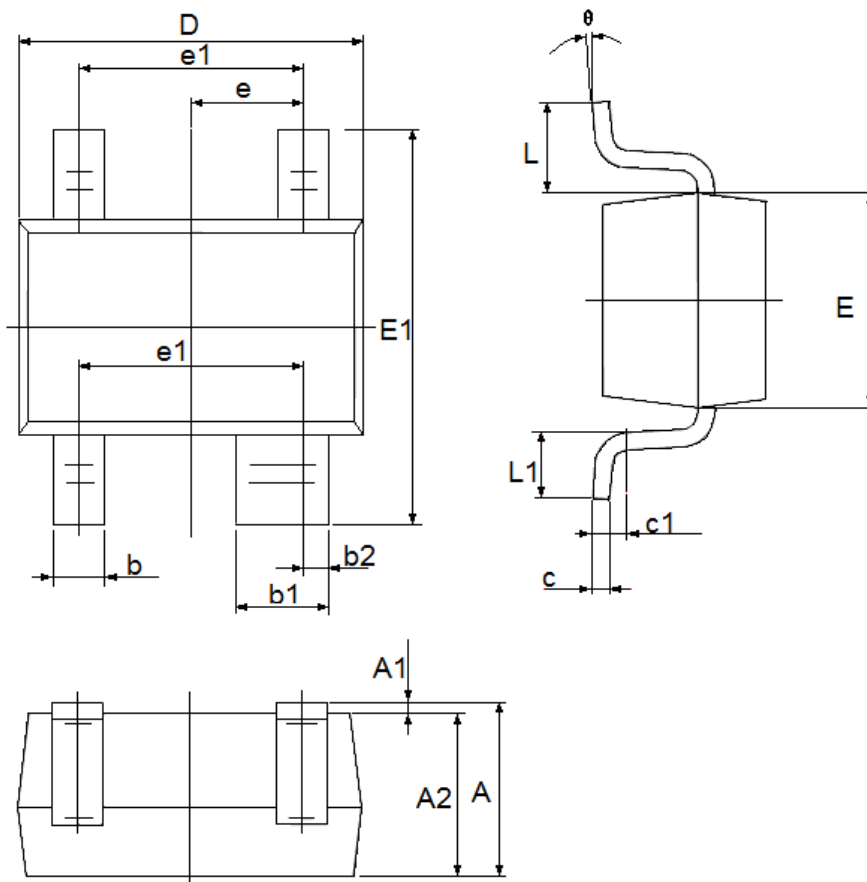
| DIM | Millimeters | | Inches | |
|-----|-------------|------|-------------|--------|
| | Min | Max | Min | Max |
| A | 1.05 | 1.45 | 0.0413 | 0.0571 |
| A1 | 0 | 0.15 | 0.0000 | 0.0059 |
| A2 | 0.9 | 1.3 | 0.0354 | 0.0512 |
| A3 | 0.6 | 0.7 | 0.0236 | 0.0276 |
| b | 0.25 | 0.5 | 0.0098 | 0.0197 |
| c | 0.1 | 0.25 | 0.0039 | 0.0098 |
| D | 2.8 | 3.1 | 0.1102 | 0.1220 |
| E | 2.6 | 3.1 | 0.1023 | 0.1220 |
| E1 | 1.5 | 1.8 | 0.0591 | 0.0709 |
| e | 0.95(TYP) | | 0.0374(TYP) | |
| L | 0.25 | 0.6 | 0.0098 | 0.0236 |
| L1 | 0.59(TYP) | | 0.0232(TYP) | |
| θ | 0 | 8° | 0.0000 | 8° |
| c1 | 0.2(TYP) | | 0.0079(TYP) | |

● Package Type: SOT89-3



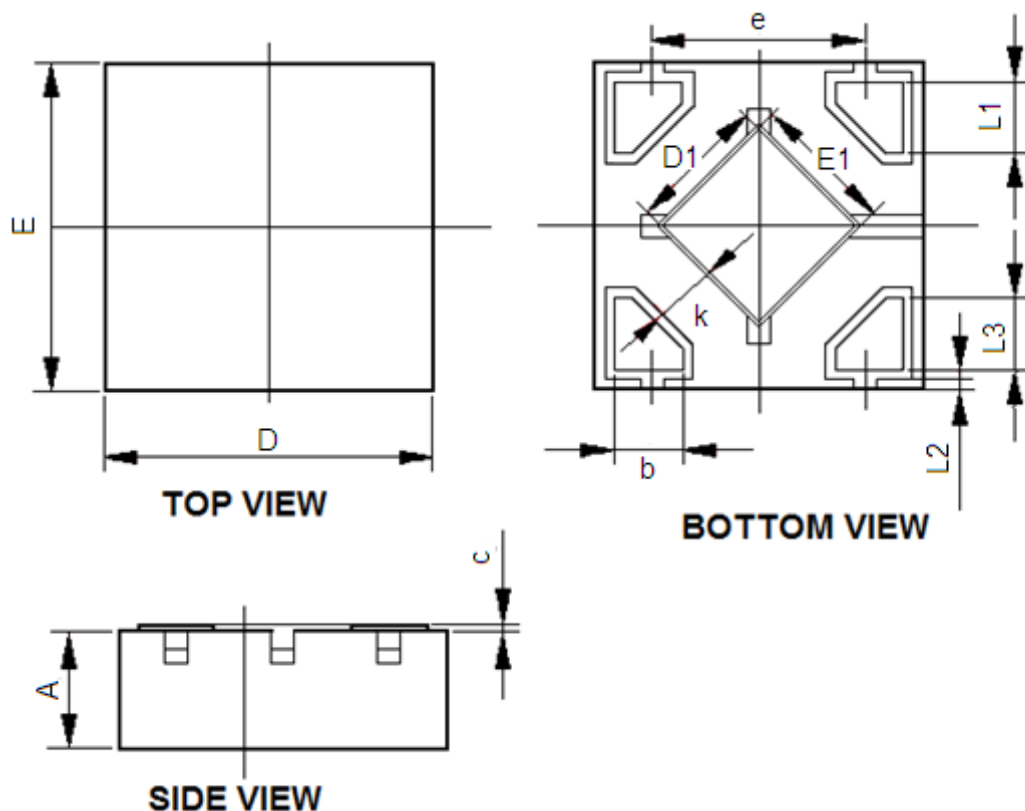
| DIM | Millimeters | | Inches | |
|-----|-------------|------|-------------|---------|
| | Min | Max | Min | Max |
| A | 1.4 | 1.6 | 0.0551 | 0.063 |
| b | 0.32 | 0.52 | 0.0126 | 0.0205 |
| b1 | 0.4 | 0.58 | 0.0157 | 0.0228 |
| c | 0.35 | 0.45 | 0.0138 | 0.01772 |
| D | 4.4 | 4.6 | 0.1732 | 0.1811 |
| D1 | 1.55(TYP) | | 0.061(TYP) | |
| D2 | 1.75(TYP) | | 0.0689(TYP) | |
| e1 | 3(TYP) | | 0.1181(TYP) | |
| E | 2.3 | 2.6 | 0.0906 | 0.1023 |
| E1 | 3.94 | 4.4 | 0.1551 | 0.1732 |
| E2 | 1.9(TYP) | | 0.0748(TYP) | |
| e | 1.5(TYP) | | 0.0591(TYP) | |
| L | 0.8 | 1.2 | 0.0315 | 0.0472 |
| θ | 45° | | 45° | |

● Package Type: SOT343R



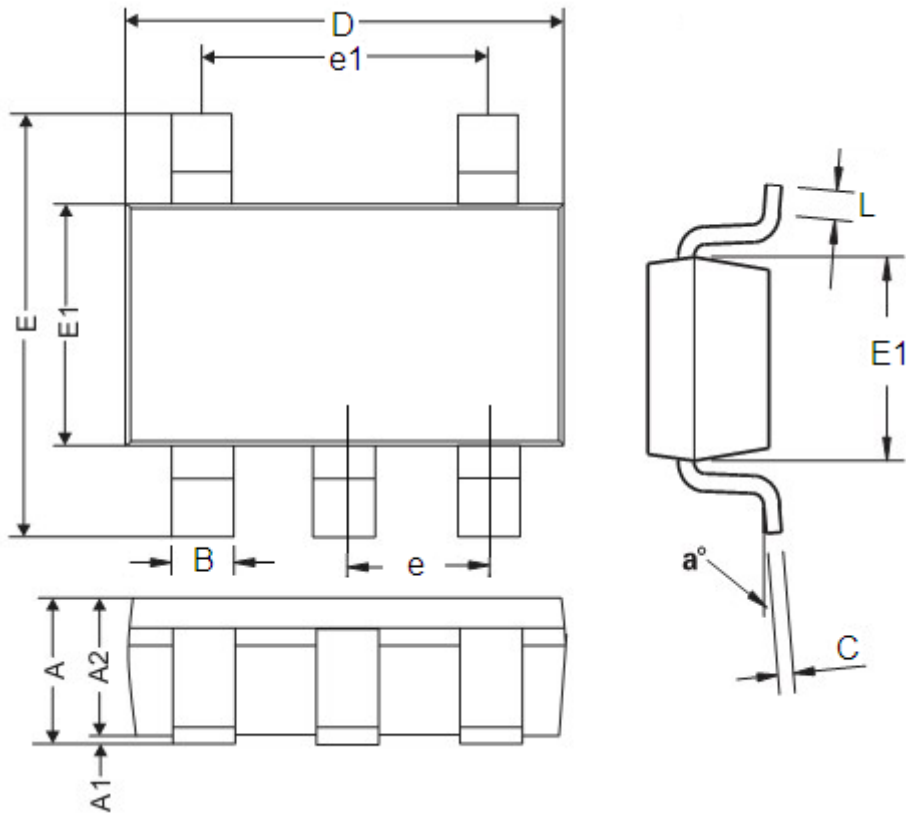
| DIM | Millimeters | | Inches | |
|-----|-------------|-------|-----------|--------|
| | Min | Max | Min | Max |
| A | 0.900 | 1.100 | 0.035 | 0.043 |
| A1 | 0.000 | 0.100 | 0.000 | 0.004 |
| A2 | 0.900 | 1.000 | 0.035 | 0.039 |
| b | 0.150 | 0.350 | 0.006 | 0.014 |
| b1 | 0.350 | 0.500 | 0.014 | 0.020 |
| b2 | 0.075 | 0.175 | 0.003 | 0.007 |
| c | 0.080 | 0.150 | 0.003 | 0.006 |
| D | 2.000 | 2.200 | 0.079 | 0.087 |
| E | 1.1 | 1.4 | 0.0433 | 0.0551 |
| E1 | 2.1 | 2.5 | 0.0827 | 0.0984 |
| e | 0.65TYP | | 0.026TYP | |
| e1 | 1.200 | 1.400 | 0.047 | 0.055 |
| L | 0.525TYP | | 0.021TYP | |
| L1 | 0.260 | 0.460 | 0.010 | 0.018 |
| θ | 0.000 | 8° | 0 | 8° |
| c1 | 0.2TYP | | 0.0079TYP | |

- Package Type: FBP1*1-4



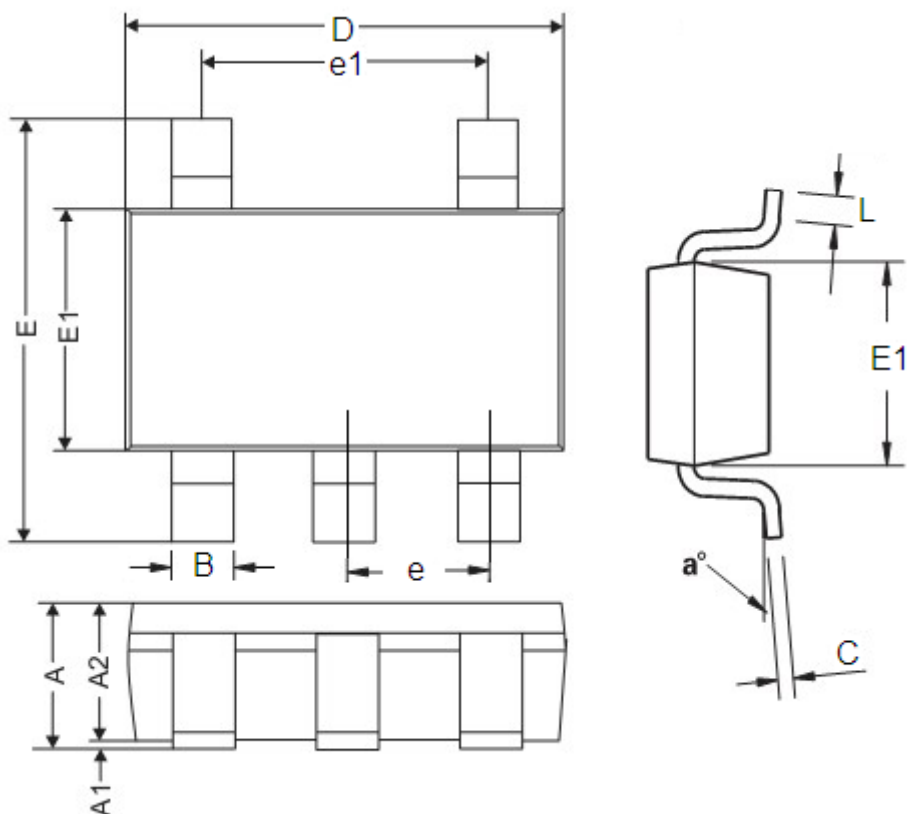
| DIM | Millimeters | | Inches | |
|-----|-------------|-------|----------|-------|
| | Min | Max | Min | Max |
| A | 0.335 | 0.410 | 0.013 | 0.016 |
| D | 0.950 | 1.100 | 0.037 | 0.043 |
| E | 0.950 | 1.100 | 0.037 | 0.043 |
| D1 | 0.370 | 0.470 | 0.015 | 0.019 |
| E1 | 0.370 | 0.470 | 0.015 | 0.019 |
| k | 0.170MIN | | 0.007MIN | |
| b | 0.160 | 0.260 | 0.060 | 0.010 |
| C | 0.010 | 0.090 | 0.000 | 0.004 |
| e | 0.600 | 0.700 | 0.024 | 0.028 |
| L1 | 0.185 | 0.255 | 0.007 | 0.010 |
| L2 | 0.03REF | | 0.001REF | |
| L3 | 0.185 | 0.255 | 0.007 | 0.010 |

● Package Type: SOT23-5



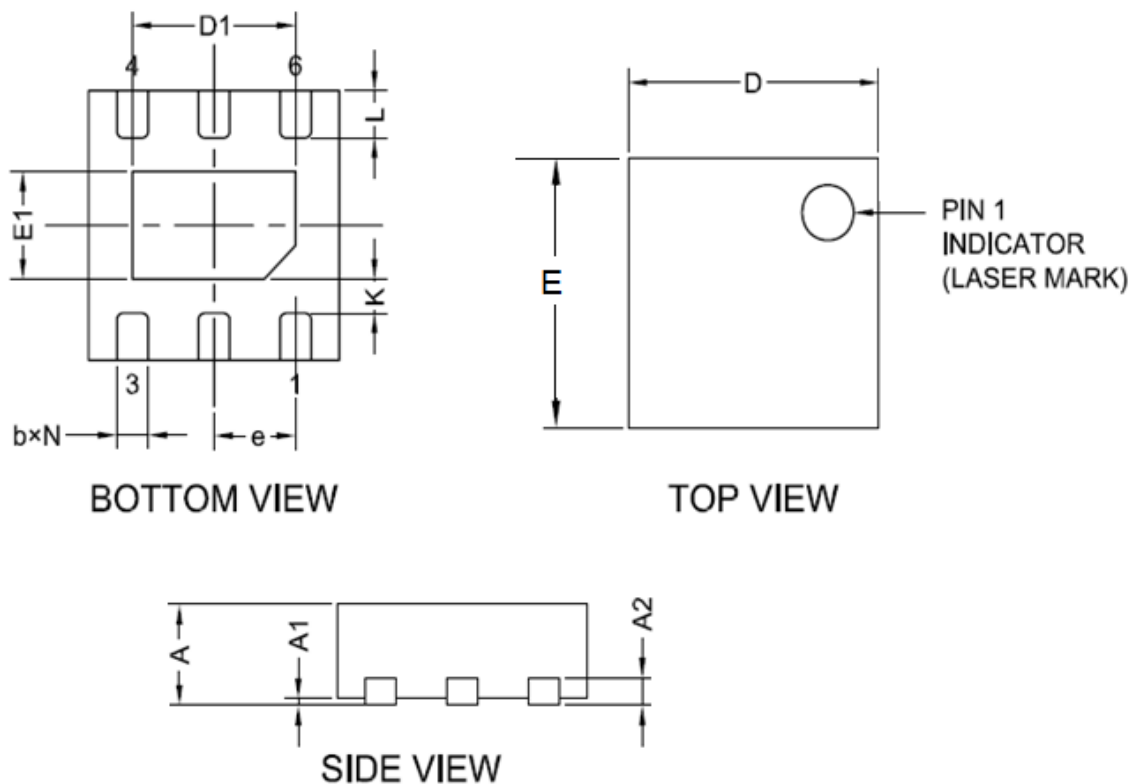
| DIM | Millimeters | | Inches | |
|-----------|-------------|------------|-----------|------------|
| | Min | Max | Min | Max |
| A | 1.05 | 1.45 | 0.0413 | 0.0570 |
| A1 | 0 | 0.15 | 0 | 0.0059 |
| A2 | 0.9 | 1.3 | 0.0354 | 0.0511 |
| B | 0.25 | 0.5 | 0.0098 | 0.0196 |
| C | 0.10 | 0.23 | 0.0039 | 0.0090 |
| D | 2.82 | 3.05 | 0.1110 | 0.1200 |
| E | 2.60 | 3.05 | 0.1023 | 0.1200 |
| E1 | 1.50 | 1.75 | 0.0590 | 0.0688 |
| e | 0.95REF | | 0.0374REF | |
| e1 | 1.90REF | | 0.0748REF | |
| L | 0.10 | 0.60 | 0.0039 | 0.0236 |
| a° | 0° | 30° | 0° | 30° |

● Package Type: SOT353



| DIM | Millimeters | | Inches | |
|-----|-------------|------|-----------|-------|
| | Min | Max | Min | Max |
| A | 0.9 | 1.1 | 0.035 | 0.043 |
| A1 | 0.0 | 0.10 | 0.00 | 0.004 |
| A2 | 0.9 | 1.0 | 0.035 | 0.039 |
| B | 0.15 | 0.35 | 0.006 | 0.014 |
| C | 0.08 | 0.15 | 0.003 | 0.006 |
| D | 2.0 | 2.2 | 0.079 | 0.087 |
| E | 2.15 | 2.45 | 0.085 | 0.096 |
| E1 | 1.15 | 1.35 | 0.045 | 0.096 |
| e | 0.65 REF | | 0.026 REF | |
| e1 | 1.20 | 1.4 | 0.047 | 0.055 |
| L | 0.26 | 0.46 | 0.01 | 0.018 |
| a° | 0° | 8° | 0° | 8° |

● Package Type: DFN2*2-6



| DIM | Millimeters | | Inches | |
|-----|-------------|-------|-------------|--------|
| | Min | Max | Min | Max |
| A | 0.7 | 0.8 | 0.0276 | 0.0315 |
| A1 | 0 | 0.05 | 0 | 0.002 |
| A2 | 0.203(TYP) | | 0.008(TYP) | |
| b | 0.2 | 0.35 | 0.0078 | 0.0138 |
| D | 1.9 | 2.1 | 0.0748 | 0.0827 |
| E | 1.9 | 2.1 | 0.0748 | 0.0827 |
| E1 | 0.5 | 0.9 | 0.0197 | 0.0354 |
| e | 0.65(TYP) | | 0.0256(TYP) | |
| L | 0.25 | 0.426 | 0.0098 | 0.0168 |
| K | 0.2 | — | 0.0079 | — |
| D1 | 1 | 1.45 | 0.0393 | 0.0571 |

- The contents of this document will be updated with the product's improvement without prior notice. Please consult our sales staff before using this document to ensure that you are using the latest version.
- The application circuit examples described in this document are only used to indicate the representative use of the product and do not guarantee the design of mass production.
- Please use this product within the limits stated in this document. We will not be responsible for any damage caused by improper use.
- The products described in this document are not allowed to be used in equipment or devices that affect the human body without the written permission of our company, including but not limited to: health equipment, medical equipment, disaster prevention equipment, fuel control equipment, automobile equipment, aviation equipment and vehicle equipment.
- Although our company has always been committed to improving product quality and reliability, semiconductor products have a certain probability of malfunction or wrong work. To prevent personal injury or property damage caused by such accidents, please pay full attention to safety design, for example: Alternate design, fire protection design, and prevention of wrong action design.
- When exporting this product or this document overseas, you should abide by applicable import and export control laws.
- Copying or reprinting part or all of this document in any form without the permission of our company is strictly prohibited.