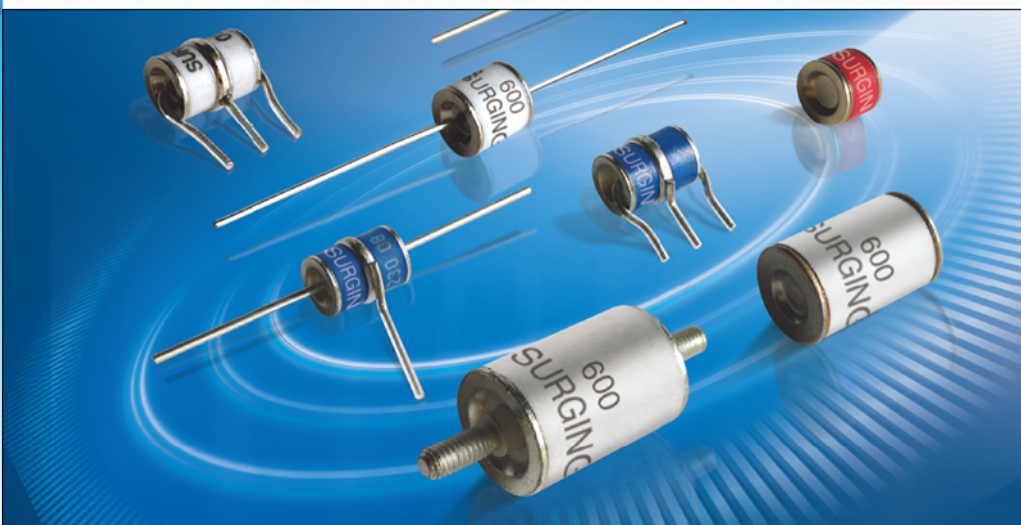


SURGiNG

紹 鑫 實 業



SurgeArresters

陶瓷气体放电管

SE8 Series

Gas Discharge Tube - SE8 Series



Gas discharge tubes (GDT) use noble gasses enclosed in ceramic tubes to provide an alternate circuit path for voltage spikes. The ceramic envelope and with nickel connectors allow for high loads and Surging offers products that function at 20KA,40KA,50KA,60KA,100KA&150KA. The breakdown voltages of the devices have a wide range (up to 20% tolerance). Major applications are high frequency telecommunication lines, stations, security systems, HID and high quality Surge Protection Devices (SPD).

Features

- RoHS & HF compliant
- Size:10.0mm*8.0mm
- DC Spark-over voltage: 75~600V
- Stable breakdown voltage.
- High insulation resistance.
- High holdover voltage.
- Large absorbing transient current capability.
- Low Capacitance
- Micro-Gap Design

Recommended Applications

- Cable Modem
- xDSL
- Set-Top Box
- Satellite and CATV equipment
- Power supplier
- Consumer electronics
- General telecom equipment

Product Name

SE8 3 - 230X F

Series:

SE8系列: φ8*10
SE3系列: φ6*8

LeadType:

0=SMD
3=Thrust

DCLineVoltage:

90X=90V
230X=230V

Package:

F=With Fail-Short mechanism

Gas Discharge Tube - SE8 Series

Electrical Characteristics

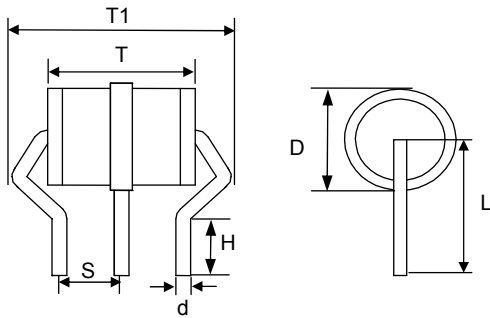
| Part Number | | | DC Spark-over Voltage | Max. Impulse Breakdown Voltage | | Max. Impulse Discharge Current (8/20 μ s) | Impulse Life(10/1000 μ s) | Normal Alternating Discharge Current | DC Holdover Voltage | Minimum Insulation Resistance | Maximum Capacitance (1MHz) |
|-------------|-----------|-------------|-----------------------|--------------------------------|---------------|---|-------------------------------|--------------------------------------|---------------------|-------------------------------|----------------------------|
| | | | | 100V/S | 100V/ μ s | | | | | | |
| 83 Series | 80 Series | 83-F Series | (V) | (V) | (V) | 10 times | 100A | 50Hz,1Sec | <150ms | (G Ω) | (pF) |
| SE83-75X | SE80-75X | SE83-75XF | 75 \pm 20% | 600 | 700 | 10 | 300 | 20 | 52 | 10 | \leq 1.5 |
| SE83-90X | SE80-90X | SE83-90XF | 90 \pm 20% | 600 | 700 | 10 | 300 | 10 | 52 | 10 | \leq 1.5 |
| SE83-150X | SE80-150X | SE83-150XF | 150 \pm 20% | 500 | 700 | 10 | 300 | 10 | 135 | 10 | \leq 1.5 |
| SE83-200X | SE80-200X | SE83-200XF | 200 \pm 20% | 500 | 700 | 10 | 300 | 10 | 135 | 10 | \leq 1.5 |
| SE83-230X | SE80-230X | SE83-230XF | 230 \pm 20% | 600 | 700 | 10 | 300 | 10 | 150 | 10 | \leq 1.5 |
| SE83-250X | SE80-250X | SE83-250XF | 250 \pm 20% | 600 | 700 | 10 | 300 | 10 | 150 | 10 | \leq 1.5 |
| SE83-350X | SE80-350X | SE83-350XF | 350 \pm 20% | 700 | 800 | 10 | 300 | 10 | 150 | 10 | \leq 1.5 |
| SE83-400X | SE80-400X | SE83-400XF | 400 \pm 20% | 800 | 900 | 10 | 300 | 10 | 150 | 10 | \leq 1.5 |
| SE83-470X | SE80-470X | SE83-470XF | 470 \pm 20% | 900 | 1000 | 10 | 300 | 10 | 150 | 10 | \leq 1.5 |
| SE83-600X | SE80-600X | SE83-600XF | 600 \pm 20% | 1000 | 1100 | 10 | 300 | 10 | 150 | 10 | \leq 1.5 |

| DC Spark-over Voltage | DC Measuring Voltage |
|-----------------------|----------------------|
| 75-90V | 50V |
| 150-400V | 100V |
| 420-600V | 250V |

Gas Discharge Tube - SE8 Series

Dimension

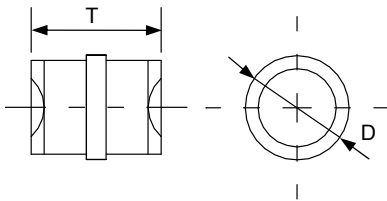
"83" (Axial lead type)



Unit:mm

| Item | Dimensions | |
|------|------------|-----------|
| | Spec. | Tolerance |
| D | 8.0 | +0.2/-0.8 |
| T | 10.0 | ±0.5 |
| T1 | 13.4 | +0.8/-0.5 |
| L | 7.5 | ±0.5 |
| S | 4.4 | ±0.4 |
| d | 1.0 | ±0.05 |
| H | 4.5 | Min. |

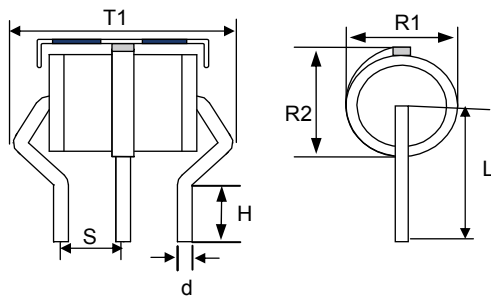
"80"(No lead type)



Unit:mm

| Item | Dimensions | |
|------|------------|-----------|
| | Spec. | Tolerance |
| D | 8.0 | +0.2/-0.8 |
| T | 10.0 | ±0.5 |

"83F" (No lead type)



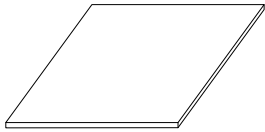
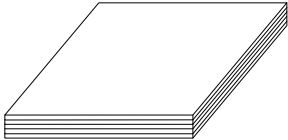
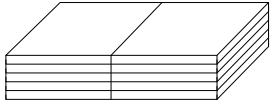
Unit:mm

| Item | Dimensions | |
|------|------------|-----------|
| | Spec. | Tolerance |
| R1 | 8.1 | ±0.3 |
| R2 | 9.8 | ±0.4 |
| T1 | 13.4 | +0.8/-0.5 |
| L | 7.5 | ±0.5 |
| S | 4.4 | ±0.4 |
| d | 1.0 | ±0.05 |
| H | 4.5 | Min. |

Gas Discharge Tube - SE8 Series

Packaging Bulk

Unit:mm

| Plastic Tray (200x210x10mm) | Inner Box (210x225x60mm) | Outside Box (450x245x345mm) |
|---|---|---|
|  |  |  |
| 100 PCS/ Plastic Tray | 500 PCS/ Box | 5,000 PCS/ Carton |

Warehouse Storage Conditions of Products

• Storage Conditions:

1. Storage Temperature: -10°C~+40°C
2. Relative Humidity: ≤75%RH
3. Keep away from corrosive atmosphere and sunlight.

• Period of Storage: 1 year