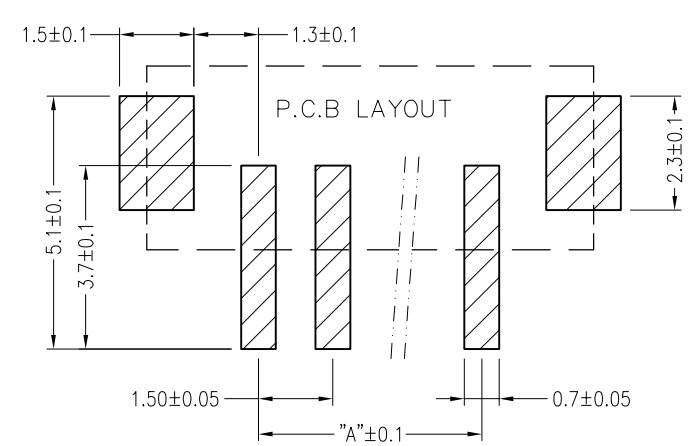
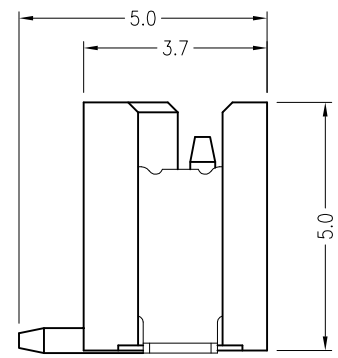
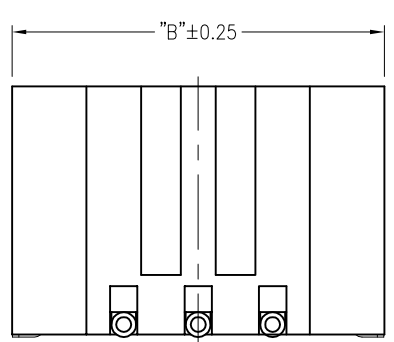
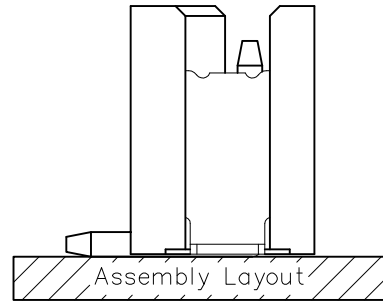
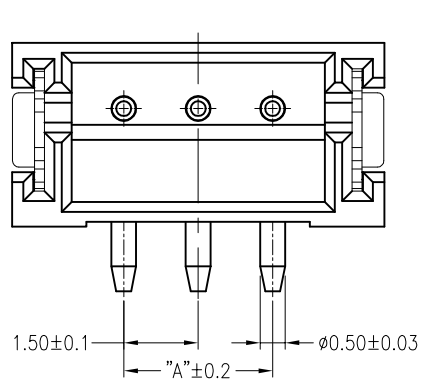


环保物料

TEL:0769-82001899

Poles	DIM. A	DIM. B
2	1.5	6.0
3	3.0	7.5
4	4.5	9.0
5	6.0	10.5
6	7.5	12.0
7	9.0	13.5
8	10.5	15.0
9	12.0	16.5
10	13.5	18.0
11	15.0	19.5
12	16.5	21.0
13	18.0	22.5
14	19.5	24.0
15	21.0	25.5
16	22.5	27.0



■ 技术参数 SPECIFICATIONS

- ◆ 适用线规: AWG#32~#26  
Applicable Wire: AWG#32~#26
- ◆ 额定电压: 50V DC,AC(rms)  
Rated voltage: 50V DC,AC(rms)
- ◆ 额定电流: 1A (AWG #26)  
Rated Current: 1A (AWG #26)
- ◆ 耐压值: 500V AC/minute  
Withstand voltage: 500V AC/min.
- ◆ 工作温度: -25°C ~ +85°C  
Working Temp : -25°C ~ +85°C
- ◆ 绝缘电阻: ≥500 MΩ  
Insulation resistance: ≥500 MΩ
- ◆ 接触电阻: ≤20 mΩ  
Contact resistance: ≤20 mΩ

■ 材料 MATERIAL

- ◆ 绝缘体: 尼龙9T, UL94-V0  
Insulator: Nylon9T, UL94-V0
- ◆ 接触针: 黄铜  
Contact PIN: Brass
- ◆ 焊片: 磷铜  
Solder tab: Phosphor bronze

VER	MODIFICATION	DRAW	DATE
AO			

TOLERANCE UNLESS OTHERWISE				DRAWN	CK tan
X.	±0.30	X°	±5°	CHKD	
.X	±0.20	.X°	±2°	APPD	
.XX	±0.08	.XX°	±1°	VIEW	⊕
.XXX	±0.03	.XXX°	±0.5°		

**XFCN兴飞连接器有限公司**  
CONNECTORS XFCN CONNECTORS CO., LTD.

PRODUCT NAME: **1.50mm Crimp Style Connectors**

PART. NO.: **M1510VS-XX-9T**

SHEET	1/1
DATE	2010. 4. 12
UNITS	mm
SCALE	1:1
DWG. NO.	009