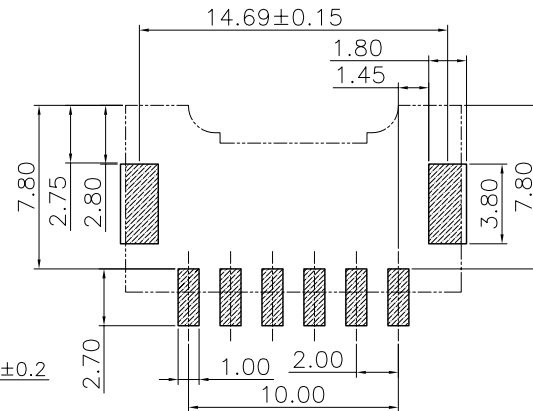
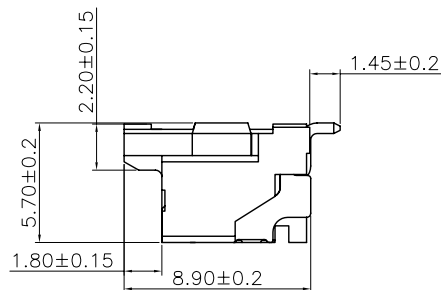
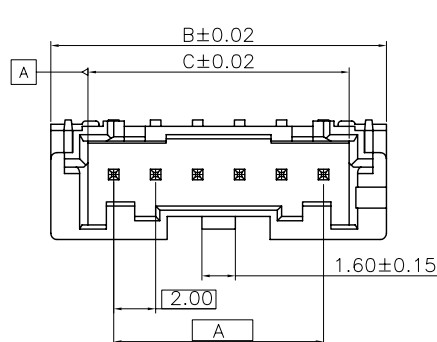
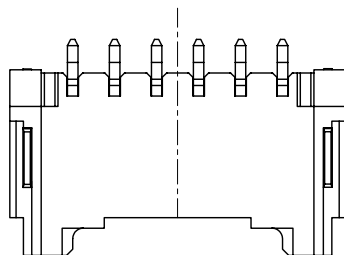
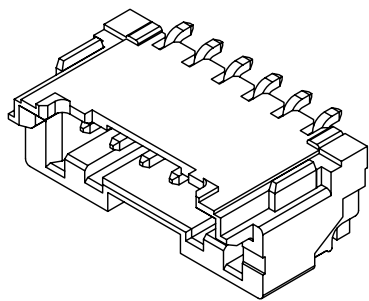


REV.	DATE	ECN NO.	MODIFICATION	APPROVER
A	2017.12.12	/	新增料	JASON

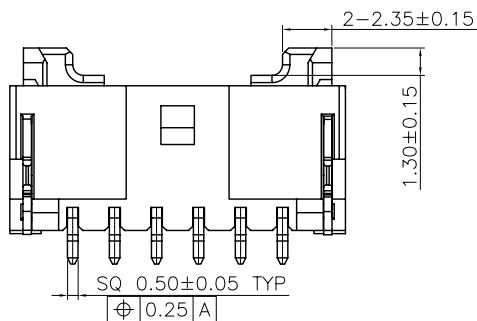


PCB LAYOUT

规格:

Specifications:

- 1, 额定电流: 3A AC/DC (使用AWG#22时)
Current rating:3A AC/DC(AWG#22)
- 2, 额定电压: 250V AC/DC
Voltage rating:250V AV/DC
- 3, 使用温度范围: -25℃~+85℃ (含通电时温度上升)
Temperature range:-25℃~+85℃
(including temperature rise in applying electrical current)
- 4, 接触电阻: 初期 / 10 mΩ 以下
环境试验后/ 20 mΩ 以下
Contact resistance:Initial value/10mΩ max
After environmental tests/20 mΩ max
- 5, 绝缘电阻: 初期/1000MΩ 以上
Insulation resistance:1000 MΩ min
- 6, 耐电压: AC 800V/1分钟
Withstanding voltage:800VAC/minute
- 7, 适用电线范围: AWG#28~#22
Applicable wire:AWG#28 to #22
- 8, 适合的印刷电路板厚度: 1.6mm
Applicable PC board thickness:1.6mm
- 9, 主体材料: NYLON,UL94-V0, 天然色
Housing material:NYLON,UL94-V0, natural
- 10, 端子材料: 黄铜, 镀锡
Terminal material:brass, plating Tin



极数	尺寸			ATOM料号
	A	B	C	
2	2.00	8.00	4.45	WF200**-01***
3	4.00	10.00	6.45	WF200**-01***
4	6.00	12.00	8.45	WF200**-01***
5	8.00	14.00	10.45	WF200**-01***
6	10.00	16.00	12.45	WF20006-01201
7	12.00	18.00	14.45	WF200**-01***
8	14.00	20.00	16.45	WF200**-01***
9	16.00	22.00	18.45	WF200**-01***
10	18.00	24.00	20.45	WF200**-01***
11	20.00	26.00	22.45	WF200**-01***
12	22.00	28.00	24.45	WF200**-01***
13	24.00	30.00	26.45	WF200**-01***
15	28.00	34.00	30.45	WF200**-01***

GENERAL TOLERANCE	UNITS mm	NAME(INTENDED USE)	ATOM®深圳市爱特姆科技有限公司 SHENZHEN ATOM TECHNOLOGY CO.,LTD.		
SELECT <input checked="" type="checkbox"/>	MAT'L	WAFER 2.0 PITCH SMT	TITLE: WAFER2.0MM XP SMT 卧贴 带扣无定位柱 卷装		
TOL. ON:		PART NO.(INTENDED USE)	DWG NO.: ATOM-A03662		
1		WF200**-01***	SCALE 1:1		
2			SHEET 1/1		
3			REV. A0		
X.XXX ±0.15	±0.05±0.15	FINISH	DR: TOM		
X.XX ±0.25	±0.13±0.25	Q'TY			
X.X ±0.30	±0.25±0.50				
X. ±0.38	±0.38±1.00				
ANGLE ±5°					