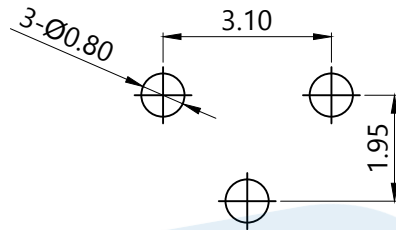
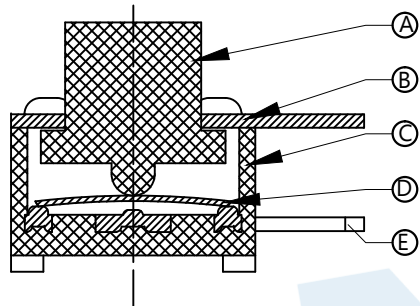
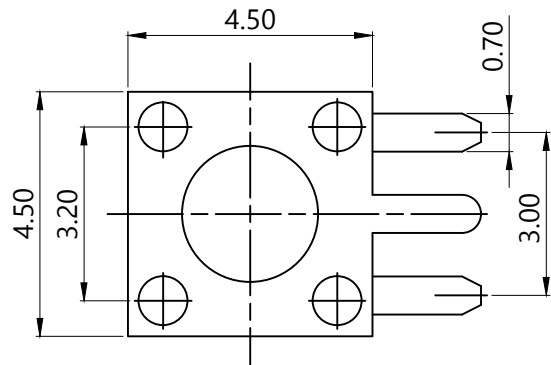


RoHS

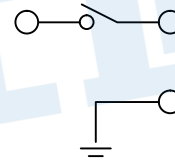
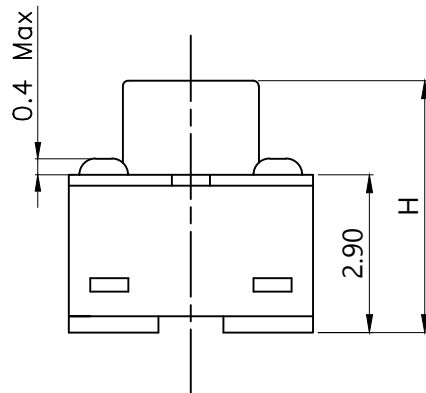
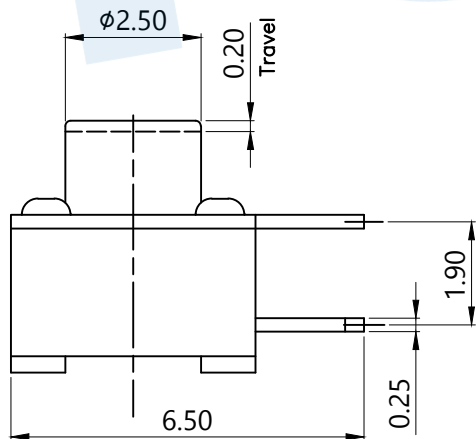


PCB Layout(Pattern Side)

SHRAPNEL	
CODE	MATERIAL/QTY
D2	SUS/1PCS
D4	SUS/2PCS

OPERATING FORCE	
CODE	VIGOR
B1	120±30gf
B2	180±30gf
B3	250±30gf

TOTAL HEIGHT			
CODE	H	CODE	H
A1	3.8	A8	7.0
A2	4.3	A9	7.5
A3	4.5	A10	8.0
A4	5.0	A11	9.0
A5	5.5	A12	10
A6	6.0		
A7	6.5		



Circuit diagram

⑤	Terminal		2	Brass	Silvering
④	Reed		1	SUS	Silver covered
③	Base		1	PA66	Black
②	Cover		1	SPCC	Nickel Plating
①	Keystoke		1	PA66	Black
NO.	Name	Number	Qty	Materil	Remarks

**YUANDI®** Yuandi Electronics Co, Ltd

design	date	name	TACT SWITCHS
Review	date	model	TS-1091B-A□B□-D□
Approved	date		

Drawing number: Proportion 1:1 unit mm gage number A4

angle	±2'
10~30	±0.30
5~10	±0.20
~ 5	±0.10

modify Review Approved Tolerance not specified