

HY602403

Electrical Specification @25°C

RoHS Compliant (PB Free)

Operating Temperature Range: 0°C ~ +70°C

Storage Temperature Range: -40°C ~ +85°C

Isolation: 1500Vrms 0.5mA 60sec (Primary to Secondary)

OCL: 350uH Minimum @100KHz 100mV with 8mADC

Insertion Loss: -1.1dB Maximum @0.1MHz / -1.0dB Maximum @100MHz
-2.0dB Maximum @125MHz

Return Loss: -18dB Minimum @30MHz / -12dB Minimum @60MHz

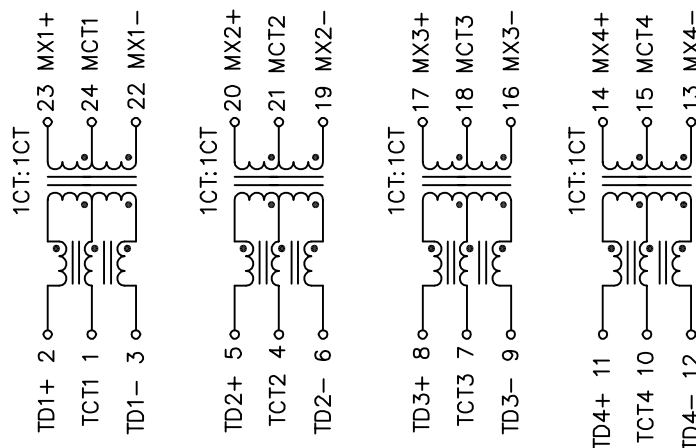
-12dB Minimum @80MHz / -10dB Minimum @100MHz

Crosstalk: -40dB Minimum @30MHz / -33.5dB Minimum @60MHz / -30dB Minimum @100MHz

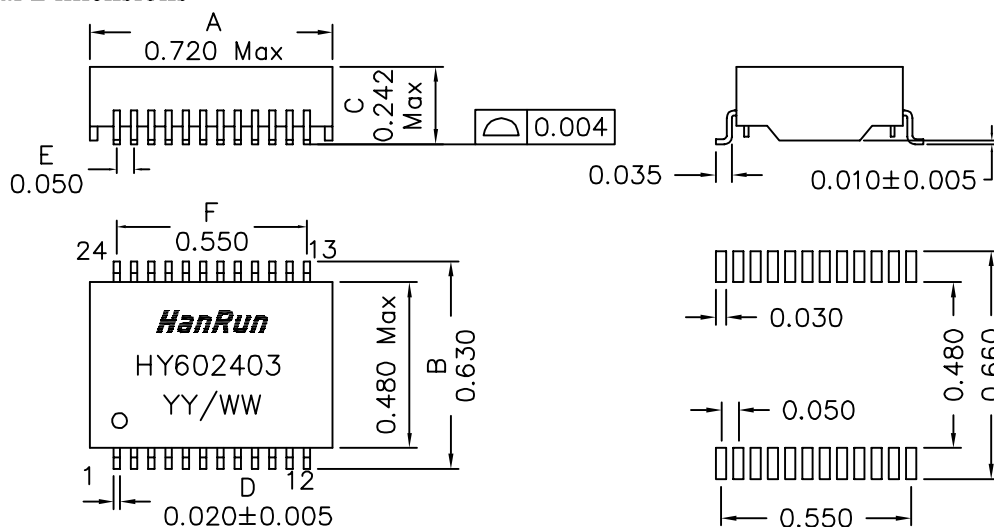
DESIGNED TO SUPPORT 57VDC, 30W WHEN USING ANY TWO CHANNELS

DESIGNED TO SUPPORT 57VDC, 60W APPLICATIONS WHEN USING ALL 4 CHANNELS

Schematics



Mechanical Dimensions



Dimensions in inches

Unless otherwise specified, Tolerance: .xxx ±0.010

(SUGGESTED PCB PAD LAYOUT)

REV.: B/3

1 of 1

Address: No.16, Industrial Road Central, Industrial Zone, Xiaolan Town,
Zhongshan City, Guangdong Province, China

Tel: (0760)22126805 22132332 Fax: (0760)22132339 Post code: 528416

E-Mail: sales@hanrun.com http://www.hanrun.com

Specifications subject to change without notice. Refer to the approval sheet for lastly edition.