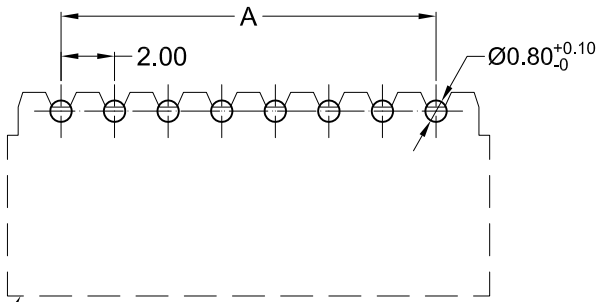
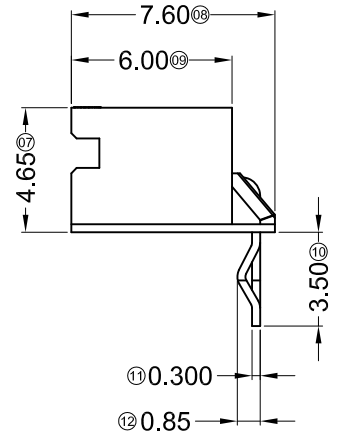
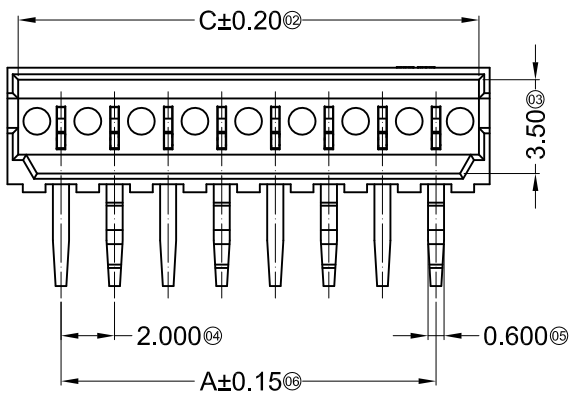
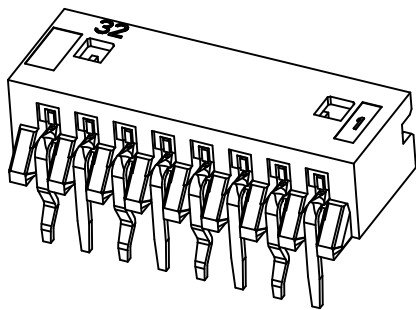


1 2 3 4 5 6 7 8



Conn.line  
**Recommended P.C.B Layout**  
 General Tolerance±0.05

**Specifications :**

- Voltage rating: 250V AC / DC
- Current rating: 2A AC / DC
- Withstanding voltage: 1000V AC/minute
- Temperature range: -25°C~+85°C
- Insulation resistance: ≥1000MΩ
- Contact resistance: ≤20mΩ
- After environmental testing: ≤30mΩ

X2012 W R X-XX X-N0 SN XX  
 ① ② ③ ④ ⑤ ⑥ ⑦ ⑧ ⑨

- ① Series No.
- ② Category: W-WAFER
- ③ Welding Board Angle: R-Right Angle 90°
- ④ Welding Way: Blank-DIP
- ⑤ Row No.-Pin No.: XX-02P~15P
- ⑥ Plug the Pin & Special No.:
- ⑦ Material: N0 -PA66 UL 94V-0
- ⑧ Plating Category: SN-Bright Tin Plating
- ⑨ Color : Blank-Natural Color

Poles	Dimensions (mm)			Poles	Dimensions (mm)		
	A	B	C		A	B	C
02	2.00	6.00	5.20	09	16.00	20.00	19.20
03	4.00	8.00	7.20	10	18.00	22.00	21.20
04	6.00	10.00	9.20	11	20.00	24.00	23.20
05	8.00	12.00	11.20	12	22.00	26.00	25.20
06	10.00	14.00	13.20	13	24.00	28.00	27.20
07	12.00	16.00	15.20	14	26.00	30.00	29.20
08	14.00	18.00	17.20	15	28.00	32.00	31.20

X2012WR-XX-N0SN	PA 66 UL 94V-0	Brass	Tin-Plated	X2012H
PART NO	Material	Material(Pin)	Finish(Pin)	Suitable XKB Terminal

For and on behalf of  
**XKB INDUSTRIAL PRECISION CO., LIMITED**  
 香港星坤工業精密有限公司

△ X					ANGULAR	±5°
△ X					L ≤ 4	±0.2
△ X					4 < L ≤ 16	±0.3
△ X					16 < L ≤ 63	±0.4
MARK	DESCRIPTION	DATE	REVISED	APPROVED	L > 63	±0.5
					UNSPECIFIED TOLERANCES	

DSND		DATE		SCALE: N/A	MODEL TYPE: X2012WR-XX-N0SN	
DWN		DATE		VIEW:	PART NO.: 2.00mm Crimp Style Connector	
CHKD		DATE		UNIT: mm	DWG NO.:	
APPD		DATE		SIZE: A4		
				WEIGHT	SHEET	REVISION
				1.0g	1/1	A0

Authorized Signature(s)

**XKB INDUSTRIAL PRECISION CO., LIMITED**

1 2 3 4 5 6 7 8