

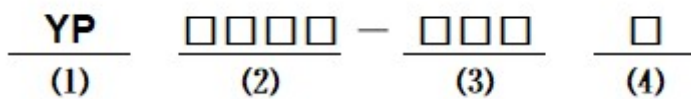
■ Features

- High current Type.
- Ferrite bobbin core and compact size.
- Low core loss for high frequency power application.
- Large terminal surface for good PCB bonding.
- Operating temperature:-40°C ~ +125°C.

■ Applications

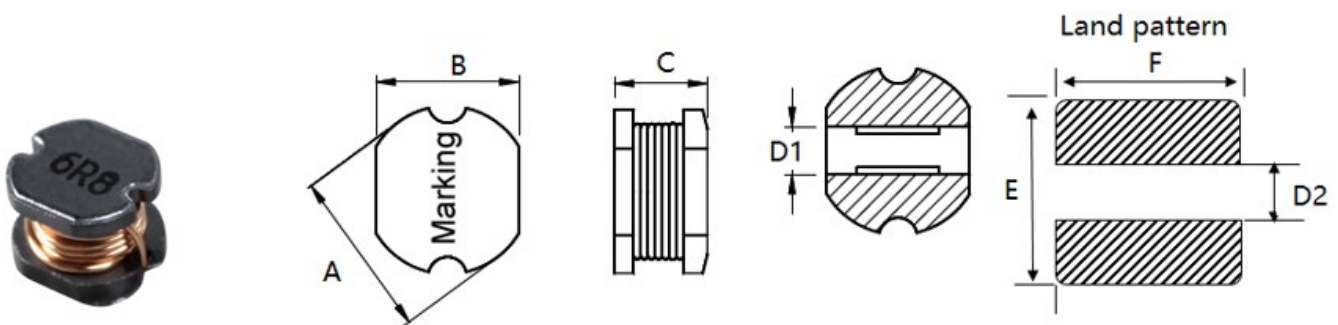
- Portable communication equipment.
- Notebook PC,digital camera,LCD television set.
- Power supply for VTR,OA equipment.
- DC/DC converters.

■ Product Identification



- (1) : Type
- (2) : Dimensions
- (3) : Inductance value
- (4): Inductance Tolerance: N=±30%,M=±20%, L=±15%, K=±10%

■ Shapes and Dimensions (Unit: mm)



TYPE	A	B	C	D1 Ref.	D2 Ref.	E Ref.	F Ref.
YP0503	5.8±0.3	5.2±0.3	3.2±0.3	1.5	1.7	6.0	5.5

■ YP0503 Series

Part Number	Inductance (μ H)	L Test Frequency (KHz)	Max.DC Resistance (Ω)	Max.Rated Current (A)
YP0503-1R0□	1.00	100	0.030	4.50
YP0503-1R2□	1.20	100	0.030	4.20
YP0503-1R5□	1.50	100	0.030	4.10
YP0503-1R8□	1.80	100	0.030	3.70
YP0503-2R2□	2.20	100	0.030	3.50
YP0503-2R7□	2.70	100	0.040	3.20
YP0503-3R3□	3.30	100	0.050	2.80
YP0503-3R9□	3.90	100	0.060	2.60
YP0503-4R7□	4.70	100	0.070	2.50
YP0503-5R6□	5.60	100	0.080	2.40
YP0503-6R8□	6.80	100	0.090	2.20
YP0503-8R2□	8.20	100	0.100	2.00
YP0503-100□	10.0	100	0.120	1.80
YP0503-120□	12.0	100	0.130	1.75
YP0503-150□	15.0	100	0.150	1.70
YP0503-180□	18.0	100	0.180	1.60
YP0503-220□	22.0	100	0.220	1.50
YP0503-270□	27.0	100	0.240	1.40
YP0503-330□	33.0	100	0.300	1.10
YP0503-390□	39.0	100	0.400	1.00
YP0503-470□	47.0	100	0.430	0.90
YP0503-560□	56.0	100	0.500	0.85
YP0503-680□	68.0	100	0.600	0.80
YP0503-820□	82.0	100	0.800	0.65

■ YP0503 Series

Part Number	Inductance (uH)	L Test Frequency (KHz)	Max.DC Resistance (Ω)	Max.Rated Current (A)
YP0503-101□	100	100	0.900	0.60
YP0503-121□	120	100	1.000	0.58
YP0503-151□	150	100	1.300	0.43
YP0503-181□	180	100	1.500	0.41
YP0503-221□	220	100	2.000	0.38
YP0503-271□	270	100	2.500	0.35
YP0503-331□	330	100	3.200	0.28
YP0503-391□	390	100	3.500	0.26
YP0503-471□	470	100	4.200	0.20
YP0503-561□	560	100	4.500	0.19
YP0503-681□	680	100	6.000	0.18
YP0503-821□	820	100	6.500	0.15
YP0503-102□	1000	100	8.000	0.13

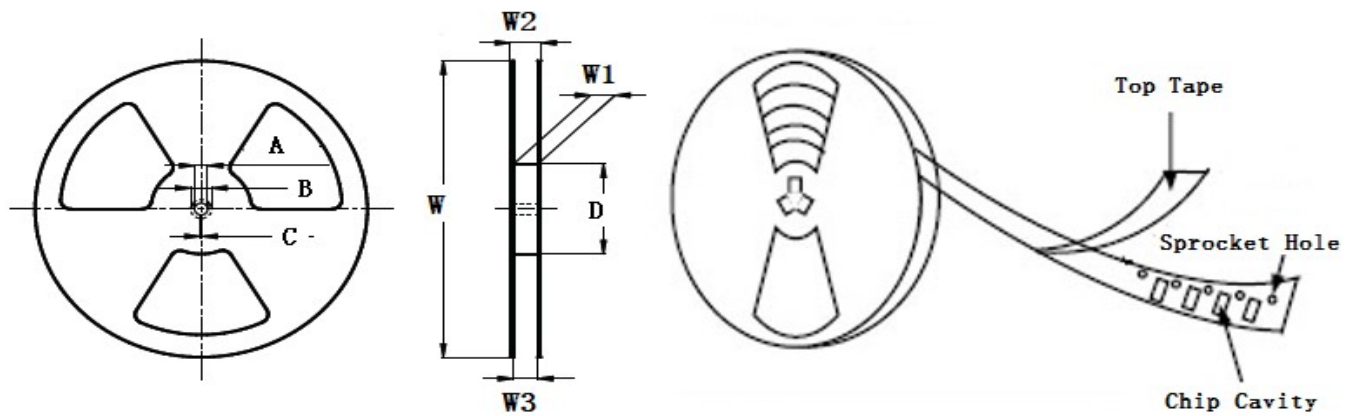
- ※ The saturation current value is the DC current value having inductance decrease down to 30%.(at 20°C)
- ※ The temperature rise current value is the DC current value having temperature increase up to 40°C. (at 20°C)
- ※ The rated current is the DC current value that satisfies both of current value saturation current value and temperature rise current value.

■ Taping Dimensions(Unit:mm)



TYPE	W	A	B	C	D	E	P	K Ref	T	MPQ
YP0503	12±0.3	5.30±0.1	5.90±0.1	4.75	5.5±0.1	3.50±0.1	8.0±0.1	3.7	0.35±0.05	2000

■ Reel Dimensions(Unit:mm)



TYPE	W	W1	W2	W3	A	B	C	D
YP0503	330±2.0	12.8±1.50	18.4MAX	11.9 Min	13.0±0.50	21.0±0.80	2.0±0.50	100 Min

Direction of rolling



Cover tape peel off condition



Cover tape peel force shall be 0.1N to 1.3N.

Reference peel speed 300±10mm/min.