

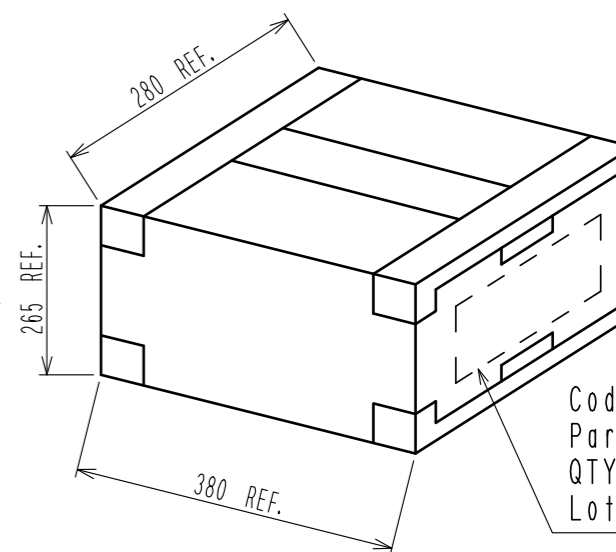
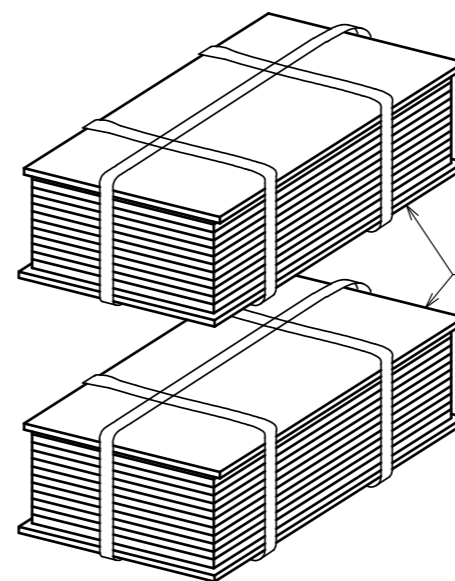
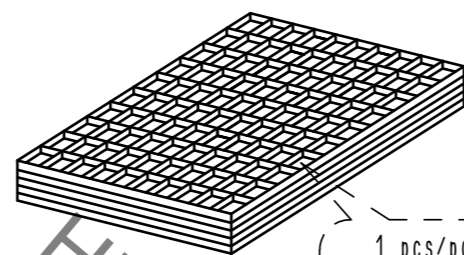
May.1.2020 Copyright 2020 HIROSE ELECTRIC CO., LTD. All Rights Reserved.  
In case of consideration for using Automotive equipment / device which demand high reliability, kindly contact our sales window correspondents.

### Fig-1 PACKING SPECIFICATION -IN THE CASE OF 2000 pcs-(FREE)

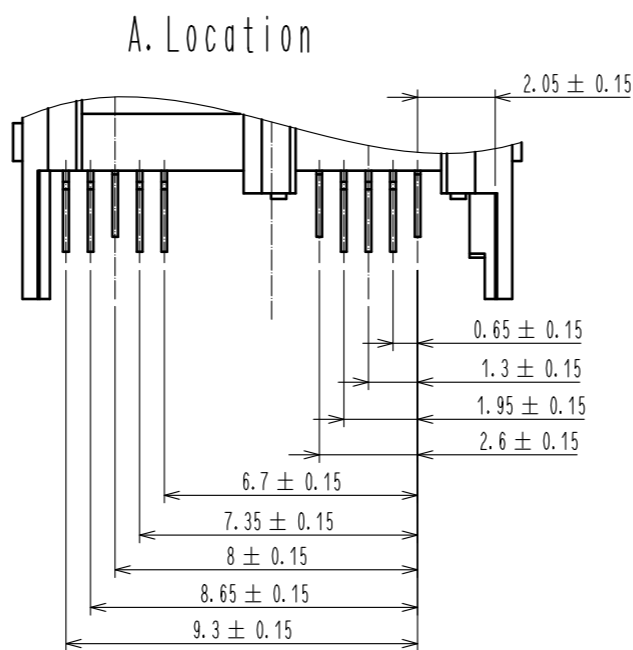
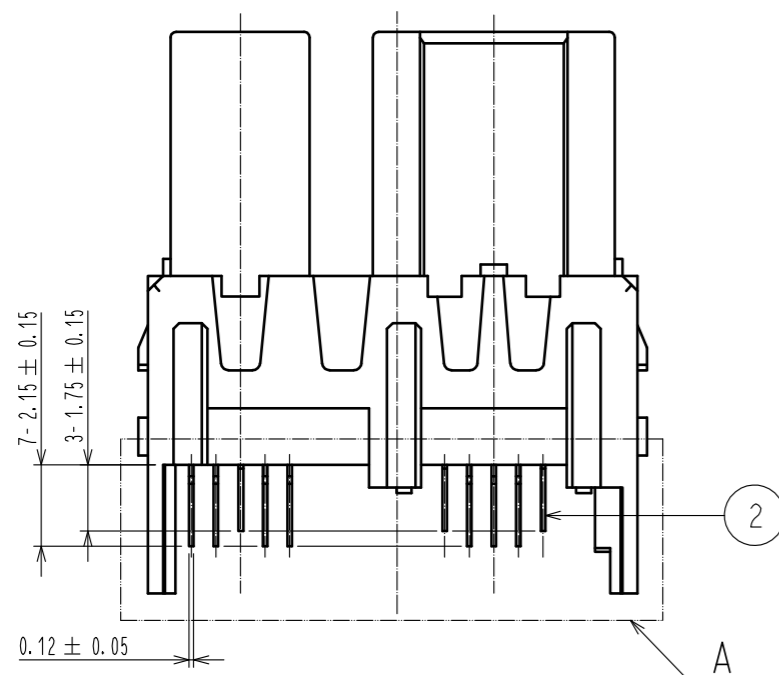
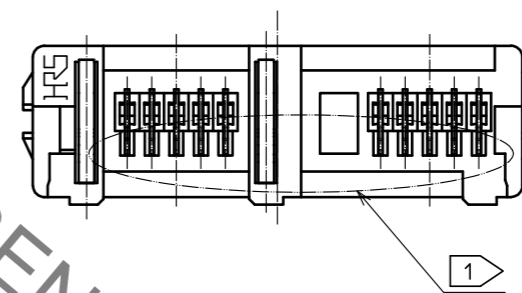
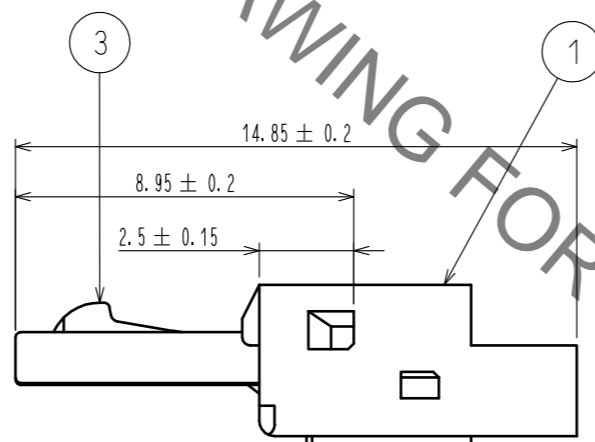
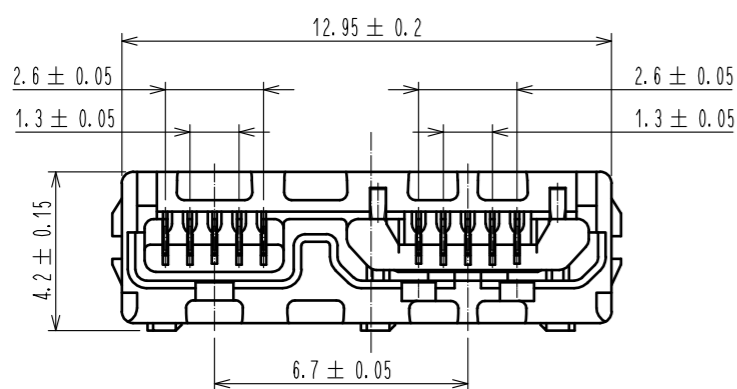
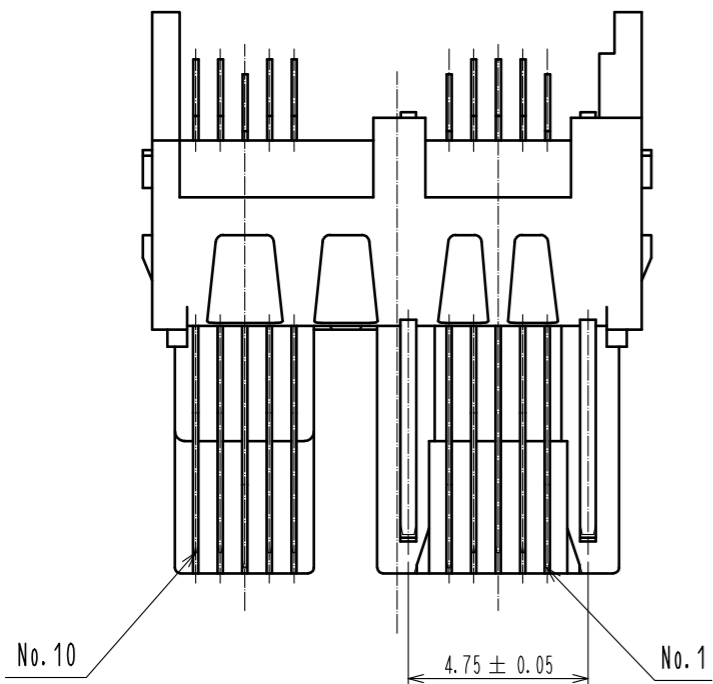
2. BIND THE TRAYS WITH CONNECTOR UNITS AS SHOWN BELOW.

3. SET THE TRAYS INSIDE THE CARDBOARD BOX.

1. PLACE THE CONNECTOR UNIT INTO THE TRAY.  
(100 pcs per tray)



Code No.  
Part No.  
QTY  
Lot No.



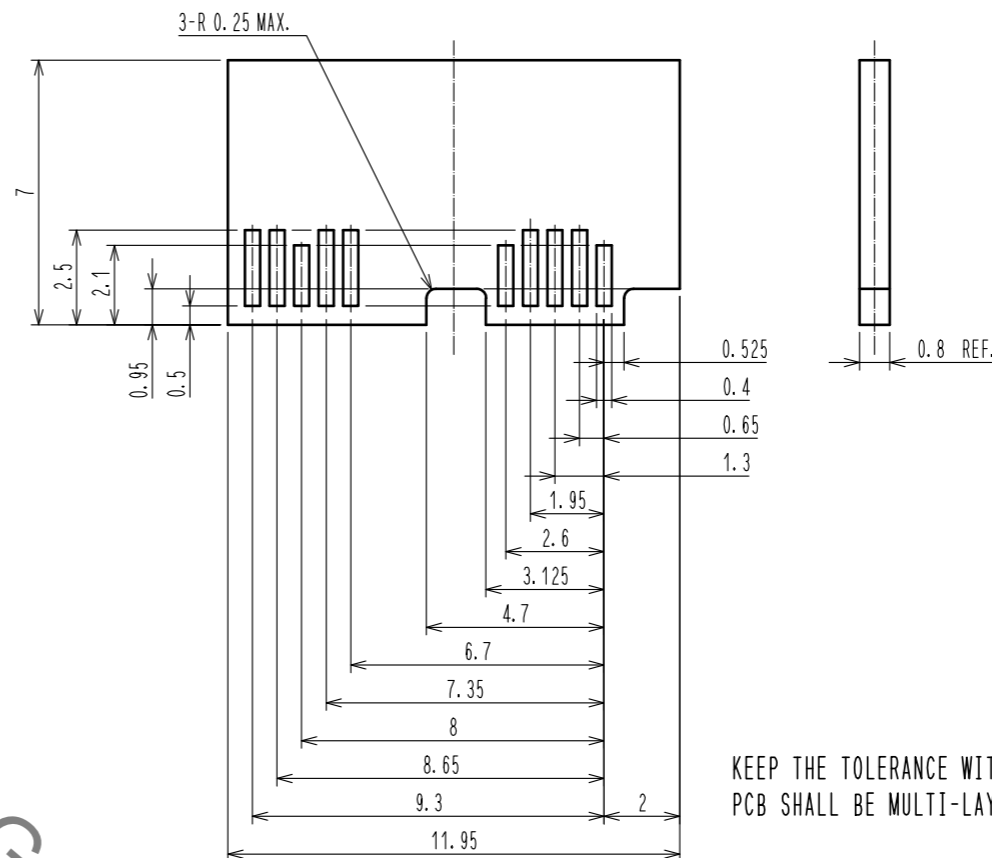
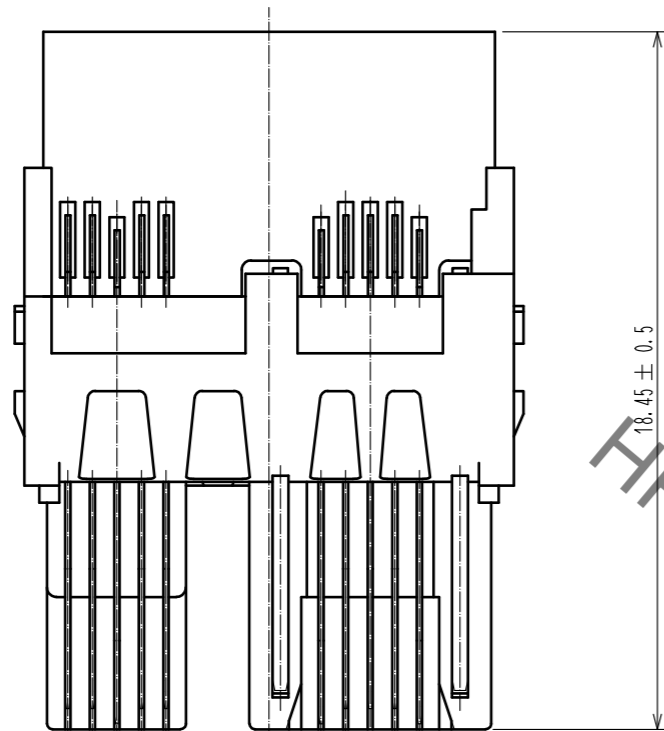
△	Halogen-Free
	Lead Free Process
	RoHS Compliant

2	COPPER ALLOY	CONTACT AREA:GOLD PLATING 0.75μm min MOUNTING AREA:TIN PLATING 1μm min UNDER PLATING:NICKEL PLATING 2μm min	3	STAINLESS STEEL			
1	LCP	UL94V-0 , BLACK					
NO.	MATERIAL	FINISH , REMARKS	NO.	MATERIAL	FINISH , REMARKS		
UNITS mm		SCALE 5 : 1	COUNT △ 1	DESCRIPTION OF REVISIONS DIS-E-00001801	DESIGNED YS. SAKODA	CHECKED AH. KODAMA	DATE 20181004
<b>HRS</b> HIROSE ELECTRIC CO., LTD.		APPROVED :NM. NISHIMATSU 20151027	DRAWING NO. EDC-127029-30-00				
		CHECKED :KN. ICHIKAWA 20151027	PART NO. ZX360-B-10S-UNIT(30)				
		DESIGNED :TS. ITO 20151027	CODE NO. CL242-0501-4-30				
		DRAWN :AK. AKIYAMA 20151027			△ 1/3		

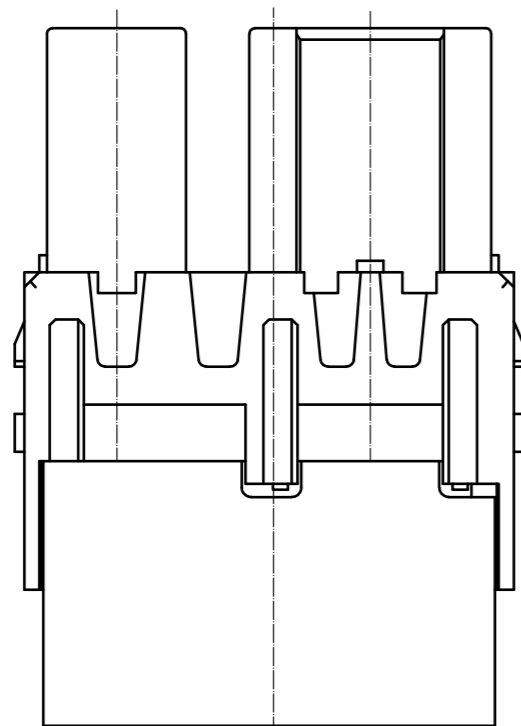
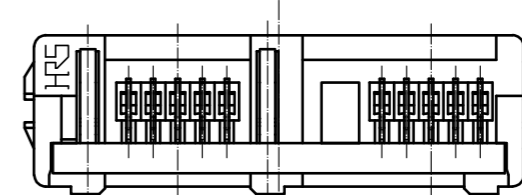
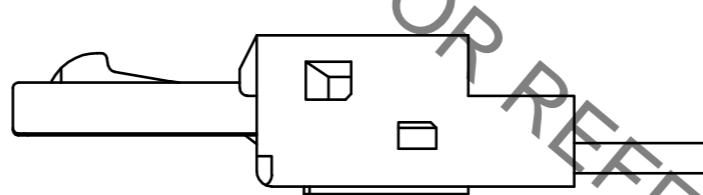
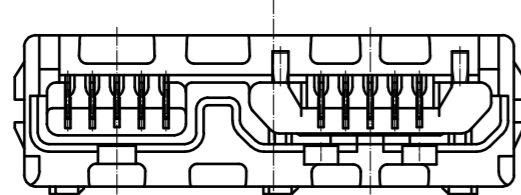
May.1.2020 Copyright 2020 HIROSE ELECTRIC CO., LTD. All Rights Reserved.  
In case of consideration for using Automotive equipment / device which demand high reliability, kindly contact our sales window correspondents.

Fig-2. CONNECTOR MOUNTED ON PCB

PCB LAYOUT FOR REFERENCE



KEEP THE TOLERANCE WITHIN MAX±0.05  
PCB SHALL BE MULTI-LAYER PCB INCLUDING FULL GROUND LAYER.



<b>HRS</b>	DRAWING NO.	EDC-127029-30-00
	PART NO.	ZX360-B-10S-UNIT(30)
	CODE NO.	CL242-0501-4-30
		2/3

May.1.2020 Copyright 2020 HIROSE ELECTRIC CO., LTD. All Rights Reserved.  
In case of consideration for using Automotive equipment / device which demand high reliability, kindly contact our sales window correspondents.

Fig-3 SHIELDING-PLATE ASSEMBLY

OVER-MOLDING (REFERENCE) (FREE)

ZX360-B-SLDA(SOLD SEPARATELY)

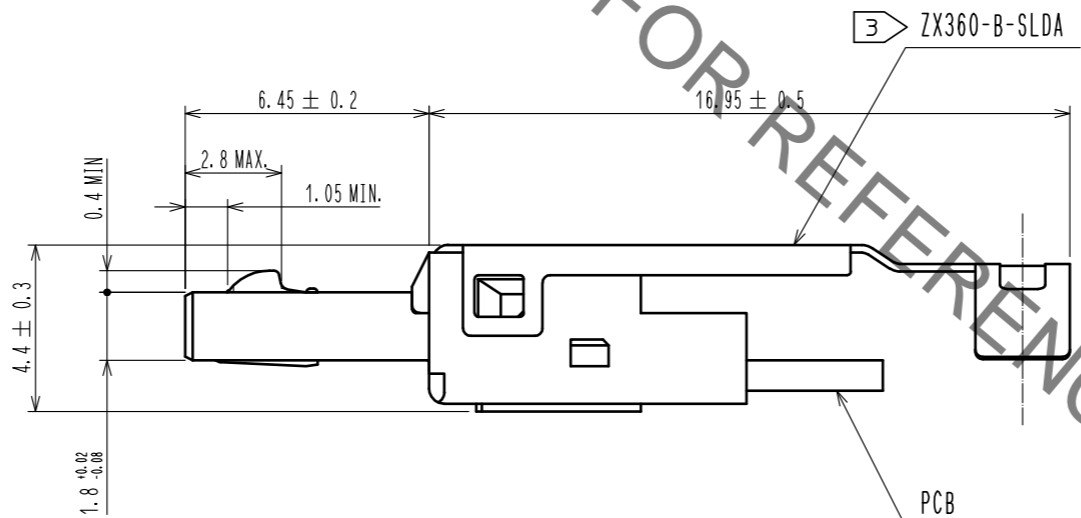
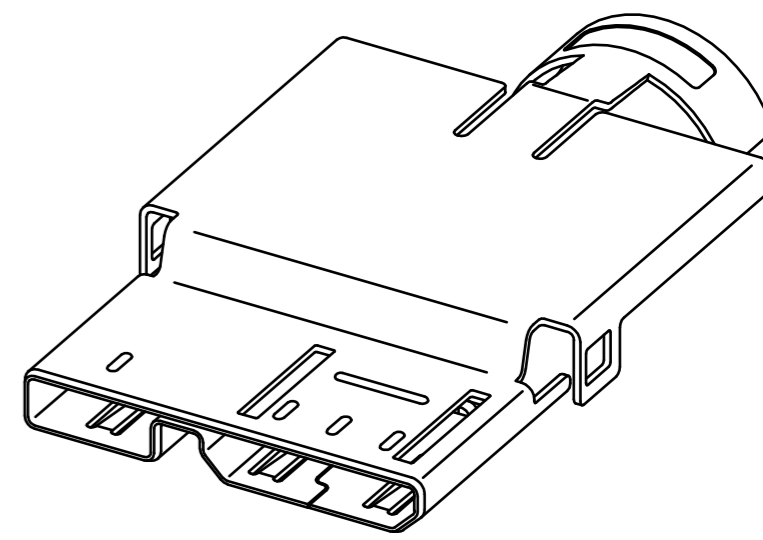
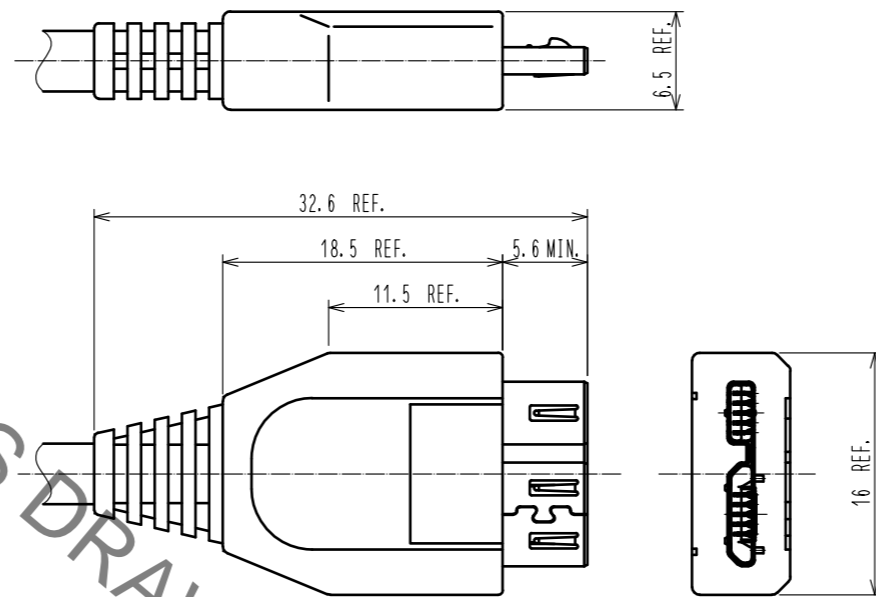
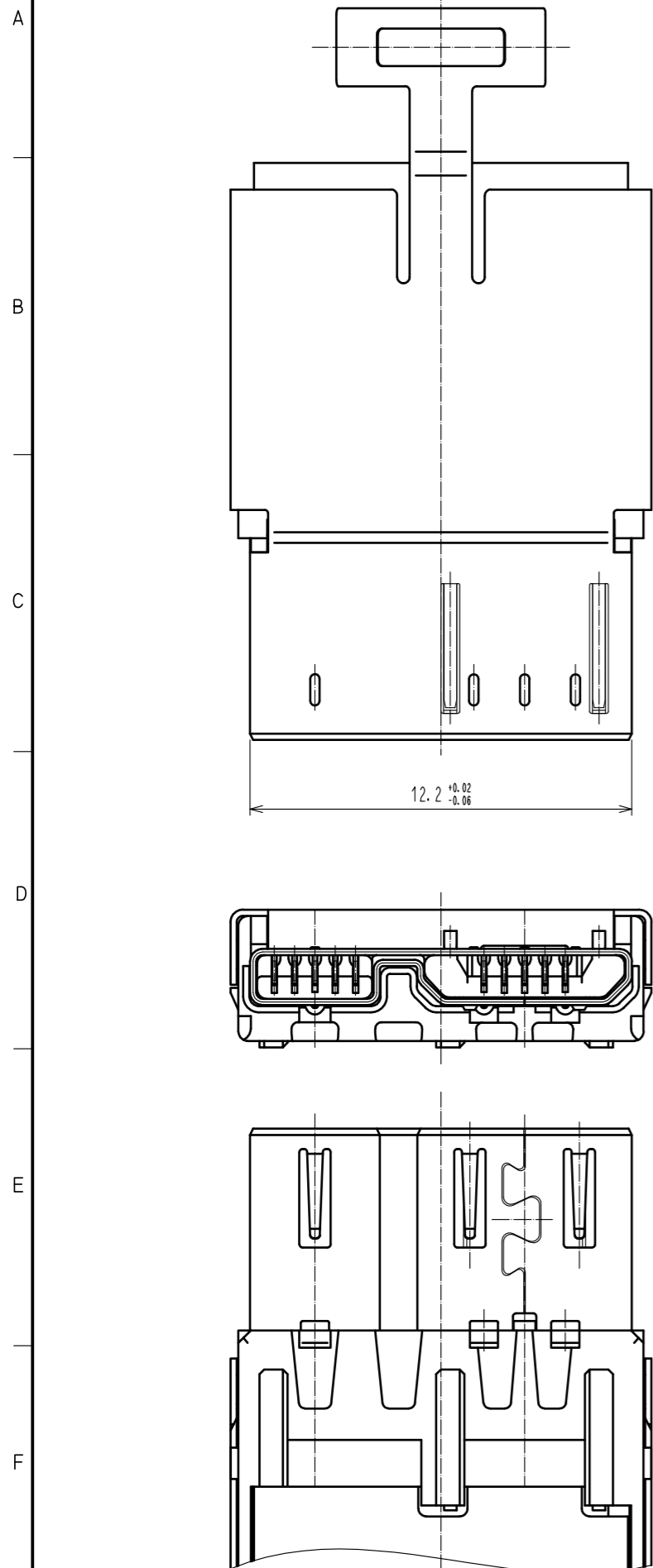
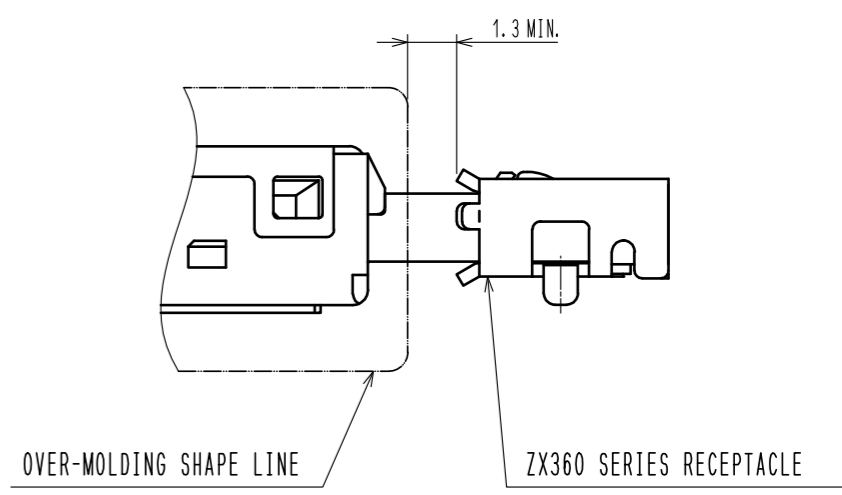


Fig-4 MATED WITH CORRESPONDING PLUG



HRS DRAWING FOR REFERENCE

<b>HRS</b>	DRAWING NO.	EDC-127029-30-00
	PART NO.	ZX360-B-10S-UNIT(30)
	CODE NO.	CL242-0501-4-30
		3/3