

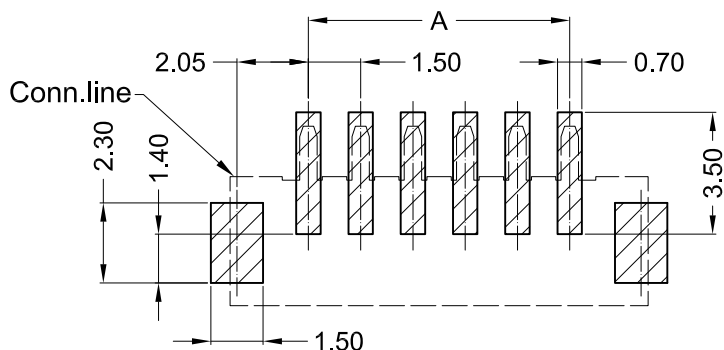
Specifications :

- Voltage rating: 50V AC / DC
- Current rating: 1A AC / DC
- Withstanding voltage: 500V AC/minute
- Temperature range: -25°C~+85°C
- Insulation resistance: ≥500MΩ
- Contact resistance: ≤20mΩ
- After environmental testing: ≤30mΩ

X1502 W V S-XX X-XX SN XX

① ② ③ ④ ⑤ ⑥ ⑦ ⑧ ⑨

- ① Series No.
- ② Category: W-wafer
- ③ Welding Board Angle: V- Straight 180°
- ④ Welding Way: S-SMT
- ⑤ Row No.-Pin No.: XX-02P~15P
- ⑥ Plug the Pin & Special No.:
- ⑦ Material: 6T -PA6T 94V-0 ; 9T- PA9T 94V-0 LP -LCP 94V-0
- ⑧ Planting Category: SN-Bright tin plating
- ⑨ Color: Blank-Natural Color



Recommended P.C.B Layout
General Tolerance±0.05

| Poles | Dimensions(mm) | | | Poles | Dimensions(mm) | | |
|-------|----------------|-------|-------|-------|----------------|-------|-------|
| | A | B | C | | A | B | C |
| 02 | 1.50 | 6.00 | 3.60 | 09 | 12.00 | 16.50 | 14.10 |
| 03 | 3.00 | 7.50 | 5.10 | 10 | 13.50 | 18.00 | 15.60 |
| 04 | 4.50 | 9.00 | 6.60 | 11 | 15.00 | 19.50 | 17.10 |
| 05 | 6.00 | 10.50 | 8.10 | 12 | 16.50 | 21.00 | 18.60 |
| 06 | 7.50 | 12.00 | 9.60 | 13 | 18.00 | 22.50 | 20.10 |
| 07 | 9.00 | 13.50 | 11.10 | 14 | 19.50 | 24.00 | 21.60 |
| 08 | 10.50 | 15.00 | 12.60 | 15 | 21.00 | 25.50 | 23.10 |

| | | | | | | |
|--------------------|---------------------------|---------------|------------|------------------------|----------------------|-----------------------|
| X1502WVS-XXHF-LPSW | LCP UL 94V-0 Halogen Frge | Brass | Tin-Plated | Phosphor Bronze | Tin-Plated | X1502H |
| X1502WVS-XX-9TSN | PA9T UL 94V-0 | Brass | Tin-Plated | Phosphor Bronze | Tin-Plated | X1502H |
| X1502WVS-XX-6TSN | PA6T UL 94V-0 | | | | | |
| PART NO | Material | Material(Pln) | Finsh(Pln) | Material (Solder Tabs) | Finish (Solder Tabs) | Suitable XKB Terminal |

For and on behalf of
XKB INDUSTRIAL PRECISION CO., LIMITED
香港星坤工業精密有限公司

| | | | | | | |
|------|-------------|------|---------|----------|-------------------------|------|
| △ X | | | | | ANGULAR | ±5° |
| △ X | | | | | L ≤ 4 | ±0.2 |
| △ X | | | | | 4 < L ≤ 16 | ±0.3 |
| △ X | | | | | 16 < L ≤ 63 | ±0.4 |
| MARK | | | | | L > 63 | ±0.5 |
| | DESCRIPTION | DATE | REVISED | APPROVED | UNSPECIFIED TOLERANCES | |
| | REVISIONS | | | | Authorized Signature(s) | |

| | | | | | | | |
|------|--|------|--|------------|---------------------------------|-------|----------|
| DSND | | DATE | | SCALE: N/A | MODEL TYPE: X1502WVS-XX-XXSN | | |
| DWN | | DATE | | VIEW: | PART NO.: | | |
| CHKD | | DATE | | UNIT: mm | 1.50mm Crimp Style Connectors | | |
| APPD | | DATE | | SIZE: A4 | DWG NO.: | | |
| | | | | | WEIGHT | SHEET | REVISION |
| | | | | | 1.0g | 1/1 | A0 |

XKB INDUSTRIAL PRECISION CO., LIMITED