

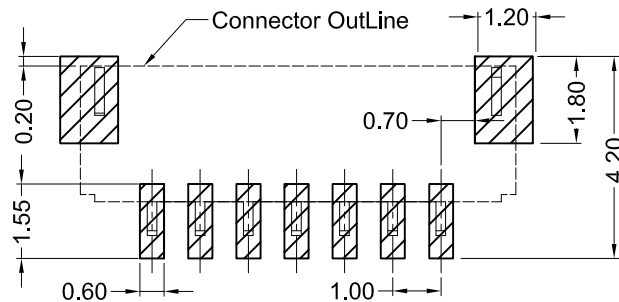
Specifications :

- Voltage rating: 50V AC / DC
- Current rating: 1A AC / DC
- Withstanding voltage: 500V AC/minute
- Temperature range: -25°C~+85°C
- Insulation resistance: ≥100MΩ
- Contact resistance: ≤20mΩ
- After environmental testing: ≤40mΩ

X1002 W V S-XX E-LP SW XX XX

① ② ③ ④ ⑤ ⑥ ⑦ ⑧ ⑨ ⑩

- ① Series No.
- ② Category: W-wafer
- ③ Welding Board Angle: V-180°
- ④ Welding Way: S-SMT
- ⑤ Row No.-Pin No.: XX-02P~20P
- ⑥ Plug the Pin & Special NO.: E-Ear clip
- ⑦ Material: LP-LCP 94V-0
- ⑧ Planting Category: SW-Matte Tin plating (Tin: 70u Min)
- ⑨ Color: Blank-Natural color
- ⑩ HF-Halogen Free ; Blank-Halogen



Recommended P.C.B Layout
General Tolerance±0.05

Poles	Dimensions(mm)			Poles	Dimensions(mm)		
	A	B	C		A	B	C
02	1.00	4.00	2.50	11	10.00	13.00	11.50
03	2.00	5.00	3.50	12	11.00	14.00	12.50
04	3.00	6.00	4.50	13	12.00	15.00	13.50
05	4.00	7.00	5.50	14	13.00	16.00	14.50
06	5.00	8.00	6.50	15	14.00	17.00	15.50
07	6.00	9.00	7.50	16	15.00	18.00	16.50
08	7.00	10.00	8.50	18	17.00	20.00	18.50
09	8.00	11.00	9.50	20	19.00	22.00	20.50
10	9.00	12.00	10.50				

X1002WVS-XXE-LPSWHF	LCP UL 94V-0 Halogen Free	Phosphor Bronze	Tin Plating Fog	X1002H
X1002WVS-XXE-LPSW	LCP UL 94V-0			
PART NO	Material	Material (Pin And Solder Tabs)	Finish (Pin And Solder Tabs)	Suitable XKB Terminal

For and on behalf of
XKB INDUSTRIAL PRECISION CO., LIMITED
香港星坤工業精密有限公司

△ X					ANGULAR	±5°
△ X					L ≤ 4	±0.2
△ X					4 < L ≤ 16	±0.3
MARK	DESCRIPTION	DATE	REVISED	APPROVED	16 < L ≤ 63	±0.4
					L > 63	±0.5
REVISIONS					UNSPECIFIED TOLERANCES	

DSND	DATE	SCALE: N/A	MODEL TYPE: X1002WVS-XXE-LPSWXX
DWN	DATE	VIEW:	PART NO.:
CHKD	DATE	UNIT: mm	1.00mm Crimp Style Connectors
APPD	DATE	SIZE: A4	DWG NO.:
XKB INDUSTRIAL PRECISION CO., LIMITED			WEIGHT 1.0g
			SHEET 1/1
			REVISION A0