

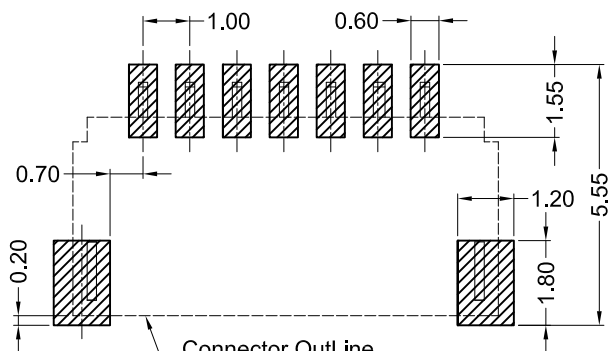
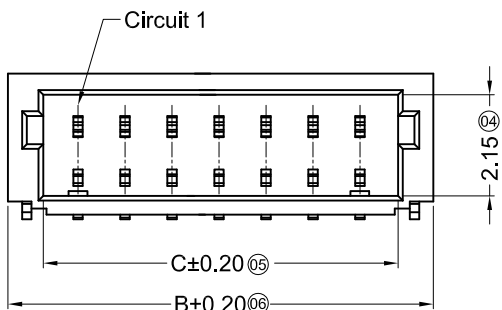
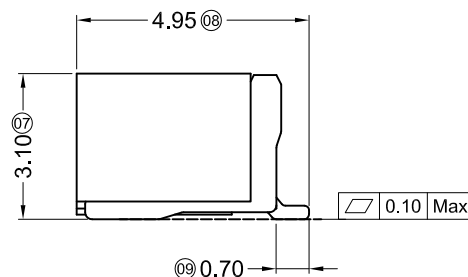
Specifications :

- Voltage rating: 50V AC / DC
- Current rating: 1A AC / DC
- Withstanding voltage: 500V AC/minute
- Temperature range: -25°C~+85°C
- Insulation resistance: ≥100MΩ
- Contact resistance: ≤20mΩ
- After environmental testing: ≤40mΩ

X1002 W R S-XX E-LP XX XX X

① ② ③ ④ ⑤ ⑥ ⑦ ⑧ ⑨ ⑩

- ① Series No.
- ② Category: W-wafer
- ③ Welding Board Angle: R-90°
- ④ Welding Way: S-SMT
- ⑤ Row No.-Pin No.: XX-02P~20P
- ⑥ Plug the Pin & Special No.: E-Ear clip
- ⑦ Material: LP-LCP 94V-0
- ⑧ Planting Category:
V** : All Gold-Plated *01-Gold Flash
SW-Fog Tin plating SN-Bright tin plating
- ⑨ Color: Blank-natural color
- ⑩ HF-Halogen Free ; Blank-Halogen



Recommended P.C.B Layout
General Tolerance ±0.05



Poles	Dimensions(mm)			Poles	Dimensions(mm)		
	A	B	C		A	B	C
02	1.00	4.00	2.50	10	9.00	12.00	10.50
03	2.00	5.00	3.50	11	10.00	13.00	11.50
04	3.00	6.00	4.50	12	11.00	14.00	12.50
05	4.00	7.00	5.50	13	12.00	15.00	13.50
06	5.00	8.00	6.50	14	13.00	16.00	14.50
07	6.00	9.00	7.50	15	14.00	17.00	15.50
08	7.00	10.00	8.50	16	15.00	18.00	16.50
09	8.00	11.00	9.50	20	19.00	22.00	20.50

X1002WRS-XXE-LPSWHF	LCP UL 94V-0	Brass		Tin-Plated	X1002H-L
X1002WRS-XXE-LPV01	LCP UL 94V-0	Phosphor Bronze	Brass	Gold Flash	X1002H
X1002WRS-XXE-LPSW	LCP UL 94V-0			Matte Tin Plating	
PART NO	Material	Material (Pin)	Material (Solder Tabs)	Finish (Pin And Solder Tabs)	Suitable XKB Terminal

For and on behalf of
XKB INDUSTRIAL PRECISION CO., LIMITED
香港星坤工業精密有限公司

△ X
△ X
△ X
MARK

DESCRIPTION

DATE

REVISED

APPROVED

UNSPECIFIED TOLERANCES

DSND

DATE

SCALE: N/A

MODEL TYPE:
X1002WRS-XXE-LPSWHF

DWN

DATE

VIEW:

PART NO.:
1.00 mm Crimp Style Connectors

CHKD

DATE

UNIT: mm

DWG NO.:

APPD

DATE

SIZE: A4

REVISIONS

Authorized Signature(s)

UNSPECIFIED TOLERANCES

XKB INDUSTRIAL PRECISION CO., LIMITED

WEIGHT
1.0g

SHEET
1/1

REVISION
A0