

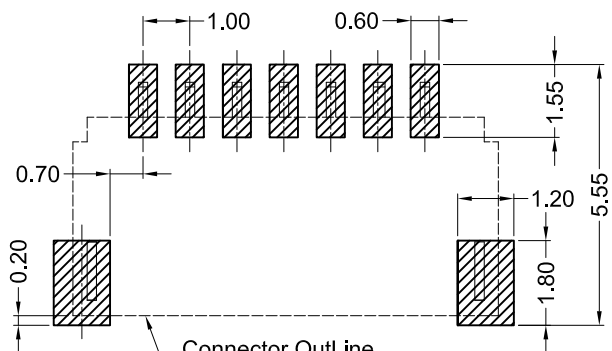
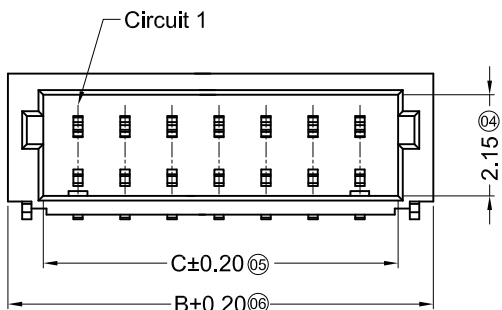
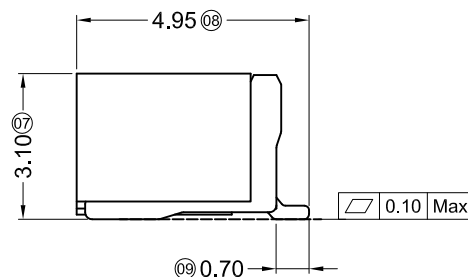
Specifications :

- Voltage rating: 50V AC / DC
- Current rating: 1A AC / DC
- Withstanding voltage: 500V AC/minute
- Temperature range: -25°C~+85°C
- Insulation resistance: ≥100MΩ
- Contact resistance: ≤20mΩ
- After environmental testing: ≤40mΩ

X1002 W R S-XX E-LP XX XX X

① ② ③ ④ ⑤ ⑥ ⑦ ⑧ ⑨ ⑩

- ① Series No.
- ② Category: W-wafer
- ③ Welding Board Angle: R-90°
- ④ Welding Way: S-SMT
- ⑤ Row No.-Pin No.: XX-02P~20P
- ⑥ Plug the Pin & Special No.: E-Ear clip
- ⑦ Material: LP-LCP 94V-0
- ⑧ Planting Category:
V** : All Gold-Plated *01-Gold Flash
SW-Fog Tin plating SN-Bright tin plating
- ⑨ Color: Blank-natural color
- ⑩ HF-Halogen Free ; Blank-Halogen



Connector OutLine
Recommended P.C.B Layout
General Tolerance±0.05



| Poles | Dimensions(mm) | | | Poles | Dimensions(mm) | | |
|-------|----------------|-------|------|-------|----------------|-------|-------|
| | A | B | C | | A | B | C |
| 02 | 1.00 | 4.00 | 2.50 | 10 | 9.00 | 12.00 | 10.50 |
| 03 | 2.00 | 5.00 | 3.50 | 11 | 10.00 | 13.00 | 11.50 |
| 04 | 3.00 | 6.00 | 4.50 | 12 | 11.00 | 14.00 | 12.50 |
| 05 | 4.00 | 7.00 | 5.50 | 13 | 12.00 | 15.00 | 13.50 |
| 06 | 5.00 | 8.00 | 6.50 | 14 | 13.00 | 16.00 | 14.50 |
| 07 | 6.00 | 9.00 | 7.50 | 15 | 14.00 | 17.00 | 15.50 |
| 08 | 7.00 | 10.00 | 8.50 | 16 | 15.00 | 18.00 | 16.50 |
| 09 | 8.00 | 11.00 | 9.50 | 20 | 19.00 | 22.00 | 20.50 |

| | | | | | |
|---------------------|--------------|-----------------|------------------------|------------------------------|-----------------------|
| X1002WRS-XXE-LPSWHF | LCP UL 94V-0 | Brass | | Tin-Plated | X1002H-L |
| X1002WRS-XXE-LPV01 | LCP UL 94V-0 | Phosphor Bronze | Brass | Gold Flash | X1002H |
| X1002WRS-XXE-LPSW | LCP UL 94V-0 | | | Matte Tin Plating | |
| PART NO | Material | Material (Pin) | Material (Solder Tabs) | Finish (Pin And Solder Tabs) | Suitable XKB Terminal |

For and on behalf of
XKB INDUSTRIAL PRECISION CO., LIMITED
香港星坤工業精密有限公司

| | | | | | | |
|-----------|-------------|------|---------|----------|------------------------|------|
| △ X | | | | | ANGULAR | ±5° |
| △ X | | | | | L ≤ 4 | ±0.2 |
| △ X | | | | | 4 < L ≤ 16 | ±0.3 |
| MARK | DESCRIPTION | DATE | REVISED | APPROVED | 16 < L ≤ 63 | ±0.4 |
| | | | | | L > 63 | ±0.5 |
| REVISIONS | | | | | UNSPECIFIED TOLERANCES | |

| | | | |
|------|------|------------|------------------------------------|
| DSND | DATE | SCALE: N/A | MODEL TYPE: X1002WRS-XXE-LPSWHF |
| DWN | DATE | VIEW: | PART NO.: |
| CHKD | DATE | UNIT: mm | 1.00 mm Crimp Style Connectors |
| APPD | DATE | SIZE: A4 | DWG NO.: |
| | | | WEIGHT: 1.0g |
| | | | SHEET: 1/1 |
| | | | REVISION: A0 |

XKB INDUSTRIAL PRECISION CO., LIMITED