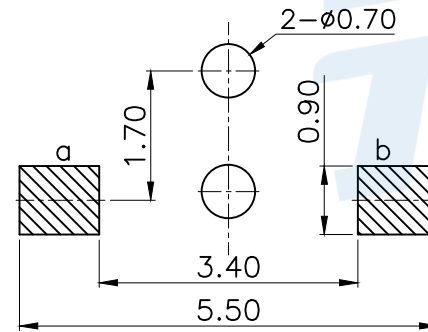
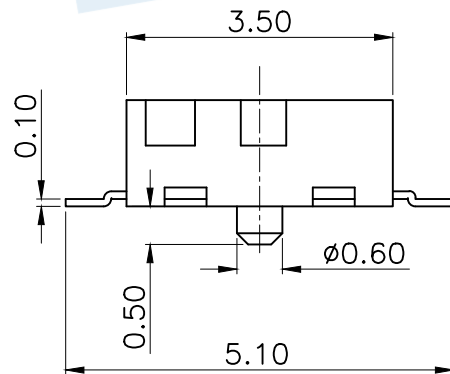
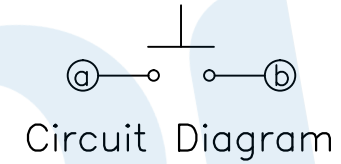
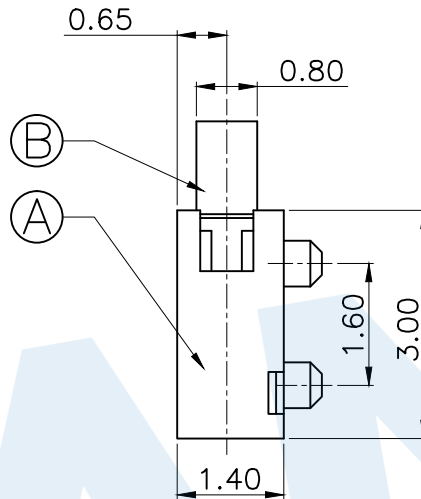
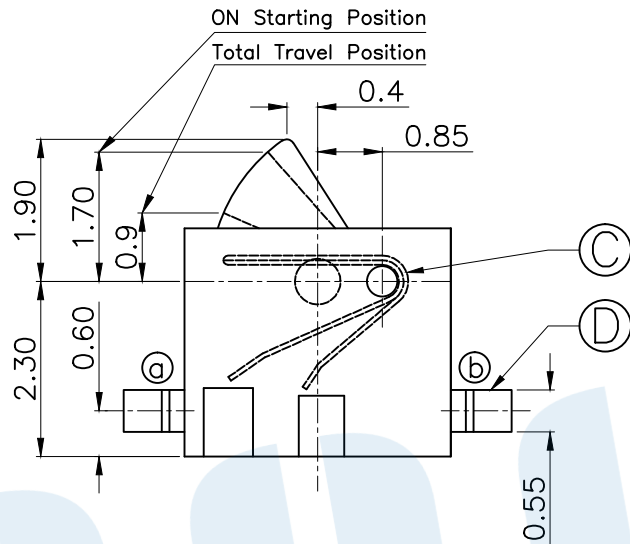


RoHS



PCB Layout(Pattern side)

Technical Parameters

1. Rated current: DC 12V 50mA
2. Operating force:  $20 \pm 10$ gf
3. Mechanical life: 100,000 times

NO.	Name	Number	Qty	Materil	Remarks
(D)	Terminal		2	Phosphor bronze	Silvering
(C)	Contact Reed		1	Be Alloy	Silvering
(B)	Button		1	PA46	Black
(A)	Base		1	LCP	Black

**YUANDI®** Yuandi Electronics Co, Ltd

design	date	name	DETECTION SWITCH
Review	date	model	TQ-2537
Approved	date		

Drawing number: Proportion 1:1 unit mm gage number A4

modify Review Approved Tolerance not specified

angle	$\pm 2'$
10~30	$\pm 0.30$
5~10	$\pm 0.20$
~ 5	$\pm 0.10$